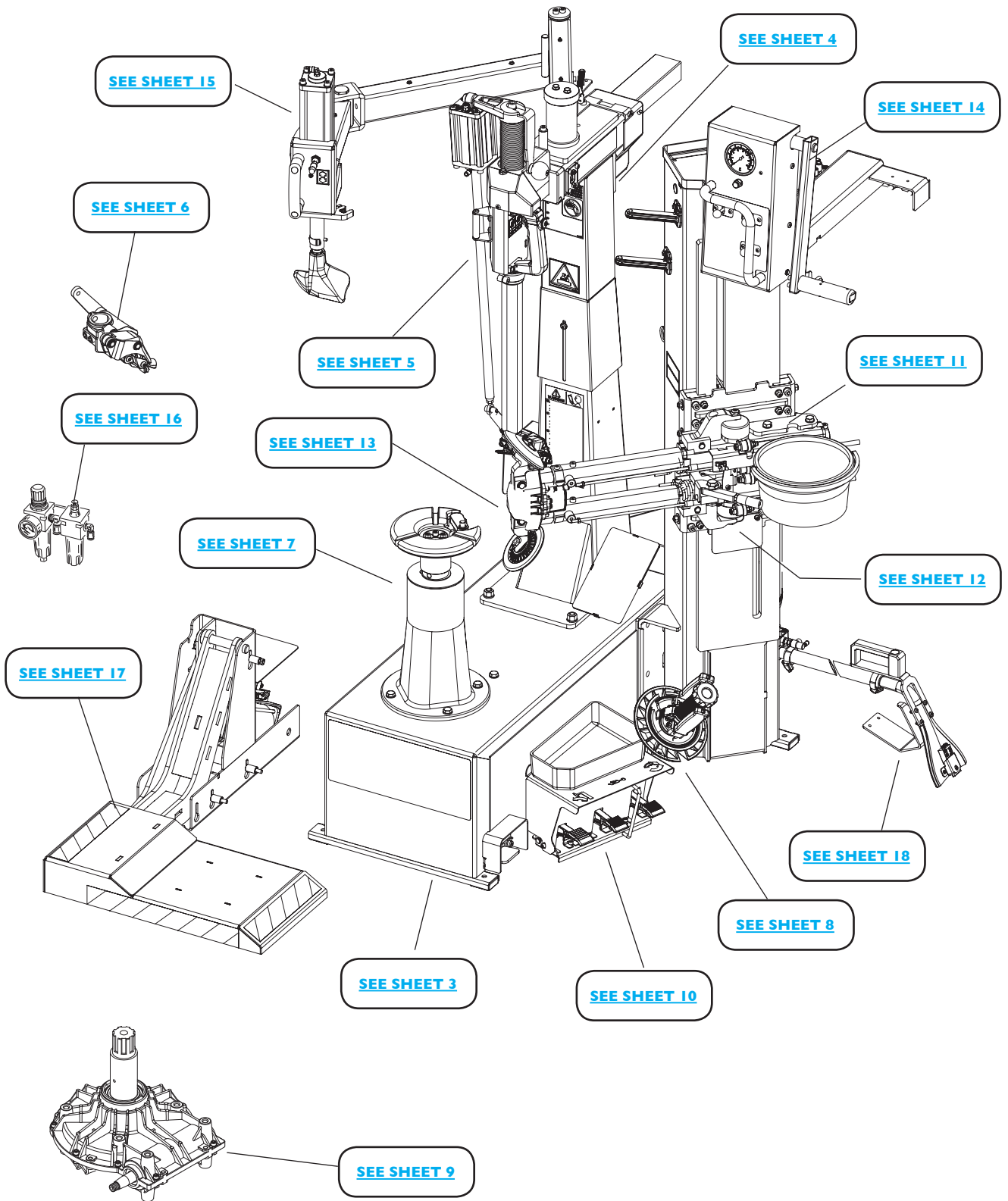


TCX70 Tire Changer

©2019 Hunter Engineering Company

OVERALL



TCX70 Tire Changer

REFER TO NEXT SHEET FOR PARTS DESCRIPTION LISTING

TCX70 SERIES ACCESSORIES (NOT SHOWN)

Part Number	Description
RP6-3784	Mounting Paste
148-133-2	Lubrication Oil
RP6-1506	Applicator Brush
179-15-2	Safety Goggles

Contents

OVERALL 2

FRAME 3

COLUMN 4

HORIZONTAL ARM 5

MOUNT HEAD 6

TURNTABLE 7

LOCKING HANDLE 8

GEARMOTOR 9

PEDAL SYSTEM 10

UPPER CARRIAGE 11

LOWER CARRIAGE 12

BEAD BREAKER DISK..... 13

CONTROL UNIT 14

BP..... 15

PRESSURE REGULATOR 16

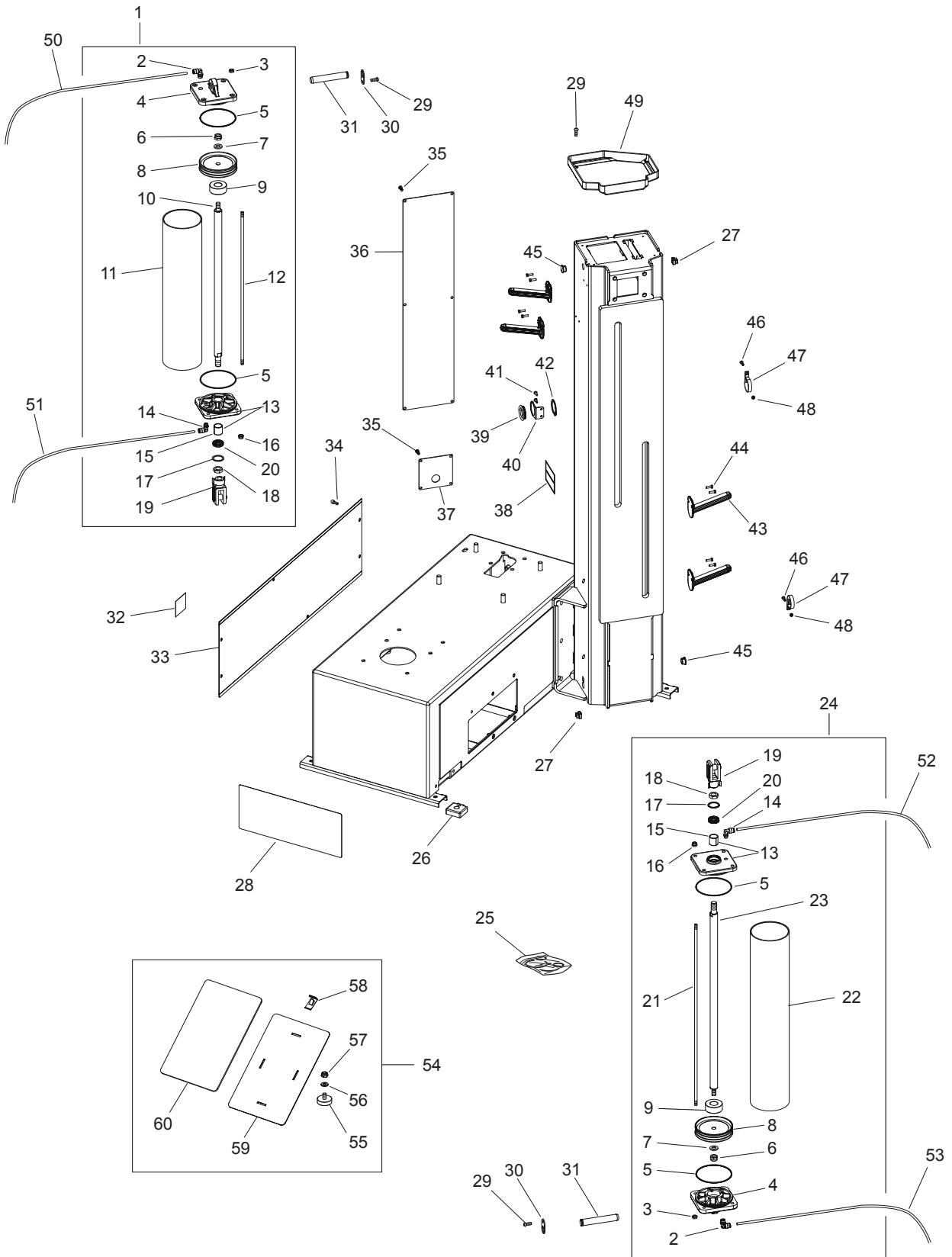
LIFT TABLE..... 17

INFLATOR..... 18

PNEUMATIC DIAGRAM..... 19

WIRE DIAGRAM 21

FRAME



[RETURNS TO OVERALL](#)

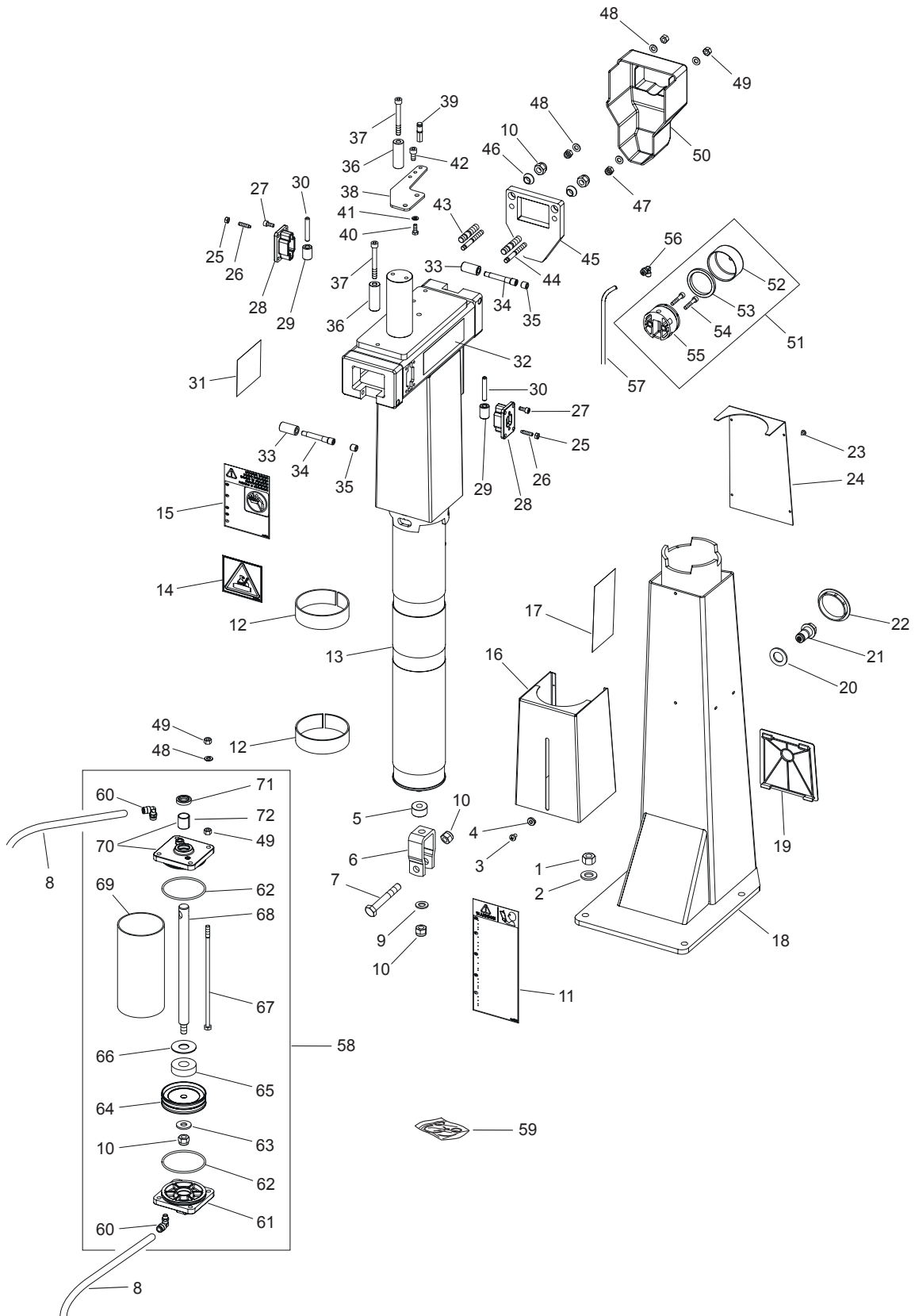
TCX70 Tire Changer

REFER TO NEXT SHEET FOR PARTS DESCRIPTION LISTING

Index No.	Part Number	Description
1	RP11-5-102948	CYLINDER D.110X424
2	RP11-3-00055	ORIENTING ELBOW FITTING 1/4 T8
3	RP11-2-00156	LOW NUT M8
4	RP11-4-130671	REAR FLANGE
5	RP11-440074	O-RING 3400 (2.62X101.27)
6	RP11-2-01276	NUT WITH POLYAMIDE RING M12
7	RP11-2-00214	WASHER FOR HEX CAP SCREW M12
8	RP11-437537	GASKET WITH FLANGE D.110
9	RP11-4-107084	SPACER D.50X20
10	RP11-4-112943	SHAFT D.22
11	RP11-4-130690	CASING FOR CYLINDER D.110
12	RP11-4-130691	TIE ROD M8X521
13	RP11-5-107559	FRONT FLANGE D.110 WITH BUSH
14	RP11-3-00049	L-FITTING G1/8 T8
15	RP11-3-02724	BUSH DI 22 DE 25 H 25
16	RP11-2-01137	NUT WITH POLYAMIDE RING M8
17	RP11-442903	RETAINING RING FOR BORE D.32
18	RP11-2-01194	LOW NUT M16X1,5
19	RP11-3-00870	FORK WITH PIN
20	RP11-3-02723	LIPPED GASKET D22X32X7.5
21	RP11-4-130676	TIE ROD M8X618
22	RP11-4-130677	CASING FOR CYLINDER D.110
23	RP11-4-112942	SHAFT D.22
24	RP11-5-102943	CYLINDER D.110X521
25	RP11-5-122583	SET OF GASKETS D.110
26	RP11-422019	RUBBER FOOT
27	RP11-428792	SQUARE CAGED NUT M8 3.3-4.7
28	RP11-4-135007	DECAL, HUNTER TCX70
29	RP11-2-00372	HEXAGON HEAD CAP SCREW M8X16
30	RP11-4-112950	ANTI-ROTATION PIN

Index No.	Part Number	Description
31	RP11-4-112949	FULCRUM PIN
32	RP11-4-402353	DECAL, WARNING TENSION
33	RP11-4-135073	SIDE PANEL
34	RP11-2-02364	CROSS PAN HEAD SCREW M6X16
35	RP11-2-02174	SOCKET BUTTON HEAD SCREW M6X16
36	RP11-4-112977	COLUMN COVER
37	RP11-4-113051	LOWER COLUMN COVER
38	RP11-4-402825	DECAL, WARNING
39	RP11-4-108996	HOSES GUIDE BUSH
40	RP11-4-112861	SUPPORT FOR TREAD GAUGE
41	RP11-2-02887	SELF-TAPPING SCREW D.3.5X13
42	RP11-2-00034	RETAINING RING FOR SHAFT D.30
43	RP11-462087	CONE HOLDER
44	RP11-2-02337	HEXAGON HEAD CAP SCREW M5X16
45	RP11-4214064	CAP D.20
46	RP11-2-03481	SOCKET BUTTON HEAD SCREW M5X16
47	RP11-410585	HOSE CLAMP
48	RP11-2-00676	NUT M5
49	RP11-4-113103	CONTAINER
50	RP11-4-135425	POLYURETHAN HOSE D.8-6 L.1600
51	RP11-4-135426	POLYURETHAN HOSE D.8-6 L.2100
52	RP11-4-135427	POLYURETHAN HOSE D.8-6 L.2400
53	RP11-4-135429	POLYURETHAN HOSE D.8-6 L.3000
54	RP11-5-122059	MIRROR WITH PERMANENT MAGNET
55	RP11-4-102784	PERMANENT MAGNET
56	RP11-2-00211	WASHER FOR HEX CAP SCREW M6
57	RP11-2-01979	NUT WITH POLYAMIDE RING M6
58	RP11-4-404855	HOOK
59	RP11-4-404797	MIRROR HOLDER
60	RP11-4-404796	MIRROR 210X135

COLUMN

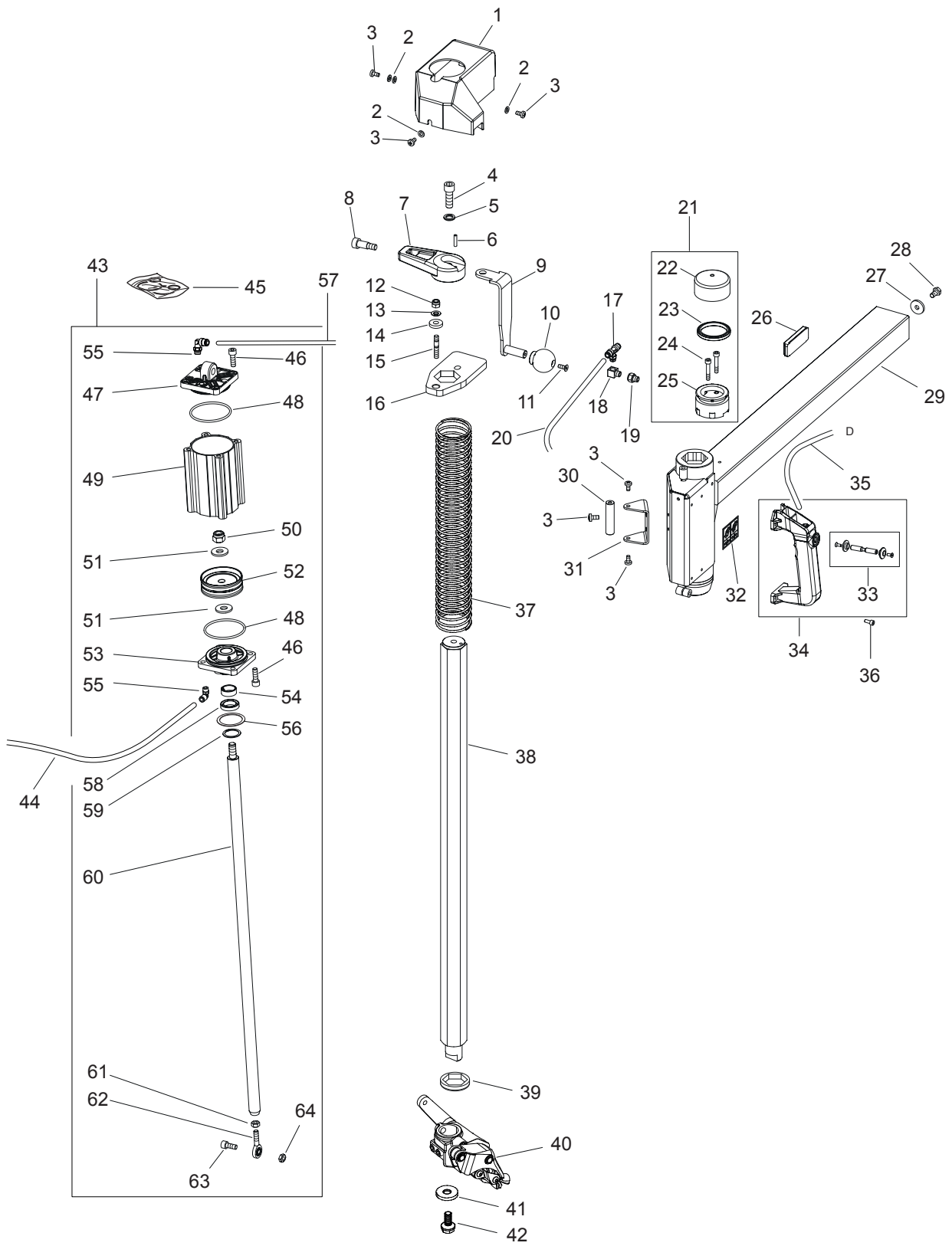


[RETURNS TO OVERALL](#)

Index No.	Part Number	Description
1	RP11-2-00114	HIGH NUT M 12
2	RP11-2-00214	WASHER FOR HEX CAP SCREW M12
3	RP11-2-02362	CROSS PAN HEAD SCREW M6X10
4	RP11-3313786	ARM PROTECTION WASHER
5	RP11-4-135005	SPACER
6	RP11-3093276	VERTICAL ARM BRAKET
7	RP11-2-02099	HEXAGON HEAD CAP SCREW M12X65
8	RP11-4-135420	POLYURETHAN HOSE D6X4 L1000
9	RP11-2-00214	WASHER FOR HEX CAP SCREW M12
10	RP11-2-01021	NUT WITH POLYAMIDE RING M12
11	RP11-4-402354	DECAL, WARNING READ MANUAL
12	RP11-3307163	VERTICAL ARM GUIDE RING
13	RP11-5-122469	SWINGING VERTICAL ARM
14	RP11-4-114533	DECAL, WARNING HANDS
15	RP11-4-402362	DECAL, WARNING PRESSURE LIMIT
16	RP11-4-132691	AUTOMATIC ARM PROTECTION PLATE
17	RP11-4-402358	DECAL, WARNING DISCONNECT HOSE
18	RP11-5-121489	FIXED VERTICAL ARM
19	RP11-3307136	VERTICAL ARM COVER
20	RP11-2-01038	WASHER FOR HEX CAP SCREW M20
21	RP11-2406681	COLUMN ROTATION CAM
22	RP11-3306765	VERTICAL ARM CAP
23	RP11-2-91688	SELF TAPPING SCREW D.3,5X6,5
24	RP11-4-132692	AUTOMATIC ARM COVER
25	RP11-2-00150	NUT M6
26	RP11-2-71378	SOCKET SET SCREW M6X25
27	RP11-2-00728	SOCKET HEAD CAP SCREW M6X14
28	RP11-4-112420	ROLLER SUPPORT
29	RP11-3011384	HORIZONTAL ARM ROLLER
30	RP11-4211471	PIN ISO8734A D.8X50
31	RP11-4-402494	DECAL, WARNING ROTATION ARM
32	RP11-4-113552	TL TOOL LABEL
33	RP11-3019267	HORIZONTAL ARM ROLLER
34	RP11-3019266	ECCENTRIC ROLLER
35	RP11-2-01040	SOCKET SET SCREW M12X12
36	RP11-4-111618	SPACER

Index No.	Part Number	Description
37	RP11-2-94140	SOCKET HEAD CAP SCREW M8X70
38	RP11-4-111619	BRACKET
39	RP11-4-112557	SPRING HOOK
40	RP11-2-00361	HEXAGON HEAD CAP SCREW M6X16
41	RP11-2-00211	WASHER FOR HEX CAP SCREW M6
42	RP11-2-00319	SOCKET HEAD CAP SCREW M8X16
43	RP11-2-03389	MEDIUM END STUD M12X45
44	RP11-3010469	VERTICAL LOCKING REGULATOR
45	RP11-4-400563	HORIZONTAL LOCKING PLATE
46	RP11-3093822	HORIZONTAL LOCKING CONE
47	RP11-2-01020	NUT WITH POLYAMIDE RING M8
48	RP11-2-00212	WASHER FOR HEX CAP SCREW M8
49	RP11-2-00112	HIGH NUT M8
50	RP11-4-115989	HORIZONTAL LOCKING COVER
51	RP11-2200641	COMPLETE CYLINDER D.60
52	RP11-3007871	CYLINDER D. 60
53	RP11-4212240	GASKET DE 237
54	RP11-2-01266	SOCKET HEAD CAP SCREW M6X35
55	RP11-443077	PISTON D. 60
56	RP11-3-00106	ELBOW MALE ADAPTOR G1/8 T. 6-4
57	RP11-3007126	RILSAN HOSE D.6-4 L.1000
58	RP11-5-122002	CYLINDER D.90X150
59	RP11-5-490272	SET OF GASKET CYLINDER D.90
60	RP11-3-00057	ORIENTING ELBOW FITTING 1/8 T6
61	RP11-3009470	CYLINDER REAR FLANGE D.90
62	RP11-4209464	O-RING 4325 (3.53x82.14)
63	RP11-3010677	WASHER D. 12,5X30X3
64	RP11-4209463	GASKET WHIT FLANGE D.90
65	RP11-4-135023	BUMPER
66	RP11-4-135165	WASHER D.20X50X2
67	RP11-4-401309	CYLINDER TIE ROD D.90
68	RP11-4-401307	SHAFT FOR CYLINDER D.90
69	RP11-4-401308	CASING FOR CYLINDER D.90
70	RP11-3009469	CYLINDER FRONT FLANGE D.90
71	RP11-4206114	LIPPED GASKET NSW 20-30-6
72	RP11-3-80101	BUSH DI 20 DE 23 H 25

HORIZONTAL ARM

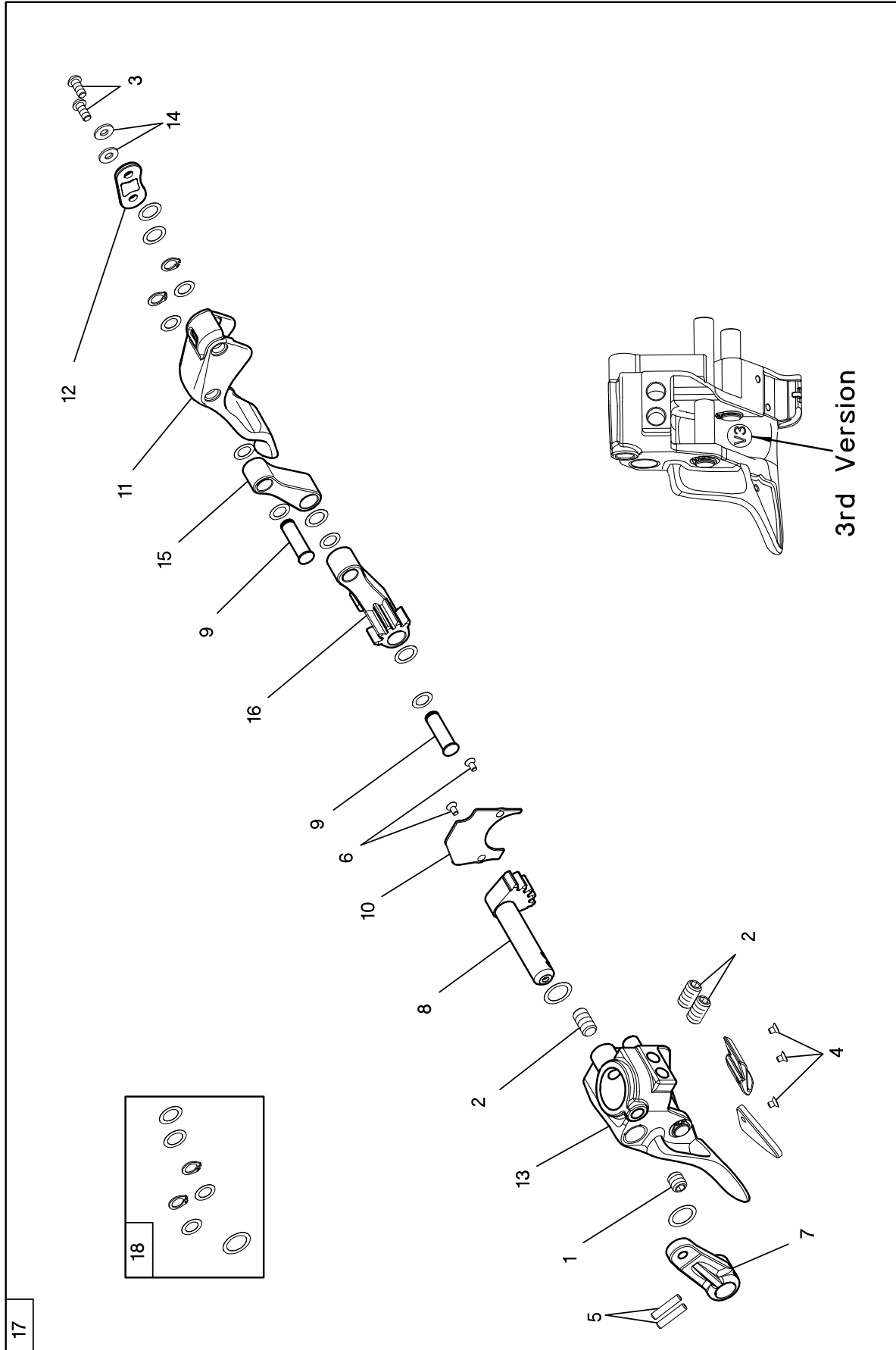


[RETURNS TO OVERALL](#)

Index No.	Part Number	Description
1	RP11-4-111657	VERTICAL LOCKING COVER
2	RP11-2-02127	PLASTIC WASHER D.6
3	RP11-2-02755	CROSS PAN HEAD SCREW M6X12
4	RP11-2-80026	SOCKET HEAD CAP SCREW M12X35
5	RP11-3-90241	NORD-LOCK NL12 WASHER
6	RP11-2-01097	SPRING PIN D.5X24
7	RP11-4-111672	CYLINDER FIXING PLATE
8	RP11-4-103906	SPECIAL SCREW D.12X20 M10
9	RP11-4-111624	KNOB SUPPORT
10	RP11-3309271	HANDLE FOR LATCH
11	RP11-2-00711	SOCKET COUNTERSUNK SCREW M6X16
12	RP11-2-01020	NUT WITH POLYAMIDE RING M8
13	RP11-4218947	SPHERICAL WASHER TYPE C D.8
14	RP11-4218948	CONICAL SEAT TYPE G D.8
15	RP11-2-03364	MEDIUM END STUD M8X35
16	RP11-4-112448	VERTICAL LOCKING PLATE
17	RP11-3-00290	TEE MALE ADAPTOR G1/8 T.6-4
18	RP11-3-00228	ELBOW MALE ADAPTOR G1/8 M-F
19	RP11-3-00083	REDUCER G1/8 M-F
20	RP11-3010816	RILSAN HOSE D.6-4 L.300
21	RP11-2200641	COMPLETE CYLINDER D.60
22	RP11-3007871	CYLINDER D. 60
23	RP11-4212240	GASKET DE 237
24	RP11-2-01266	SOCKET HEAD CAP SCREW M6X35
25	RP11-443077	PISTON D. 60
26	RP11-3306762	HORIZONTAL ARM SHOCK ABSORBER
27	RP11-3005194	WASHER D. 8,1X26,5X4
28	RP11-2-00372	HEXAGON HEAD CAP SCREW M8X16
29	RP11-4-112484	HORIZONTAL ARM
30	RP11-4-112483	SHAFT
31	RP11-4-112558	CYLINDER FIXING PLATE
32	RP11-4-402038	DECAL INSTRUCTION HANDLE VALVE

Index No.	Part Number	Description
33	RP11-5-490488	PUSH-BUTTON REPLACING KIT
34	RP11-2312380	COMPLETE CONTROL HANDLE
35	RP11-4-136322	POLYURETHAN HOSE D6X4 L.1600
36	RP11-2-00853	SOCKET HEAD CAP SCREW M5X12
37	RP11-4-111649	COMPRESSION SPRING
38	RP11-4-111656	HEXAGONAL SHAFT CH41
39	RP11-4-119658	SHOCK ABSORBER D.52X10
40	RP11-5-121452	COMPLETE HEAD
41	RP11-4-107211	MOUNTING HEAD FIXING WASHER
42	RP11-9350197	MOUNTING HEAD FIXING SCREW
43	RP11-5-102513	CYLINDER D.75X20X83
44	RP11-4-135442	POLYURETHAN HOSE D6X4 L1800
45	RP11-2200600	SET OF GASKET CYLINDER D.75
46	RP11-2-00321	SOCKET HEAD CAP SCREW M8X25
47	RP11-3009563	CYLINDER REAR FLANGE D.75
48	RP11-4209564	O-RING 171 (3,53X68,26)
49	RP11-4-406407	CASING FOR CYLINDER D.75
50	RP11-2-01021	NUT WITH POLYAMIDE RING M12
51	RP11-3010677	WASHER D. 12,5X30X3
52	RP11-4208231	GASKET WITH FLANGE D.75
53	RP11-3009907	FRONT FLANGE FOR CYLINDER D.75
54	RP11-4206523	WEAR RING FOR ROD WRI-20
55	RP11-3-00057	ORIENTING ELBOW FITTING 1/8 T6
56	RP11-3010912	WASHER 24X29,5X0,5
57	RP11-4-135443	POLYURETHAN HOSE D6X4 L1900
58	RP11-4206114	LIPPED GASKET NSW 20-30-6
59	RP11-4300414	RETAINING RING FOR BORE D.30
60	RP11-4-111623	SHAFT FOR CYLINDER D.20
61	RP11-2-00151	NUT M8
62	RP11-2-03391	BEARING
63	RP11-2-00320	SOCKET HEAD CAP SCREW M8X20
64	RP11-2-00156	LOW NUT M8

MOUNT HEAD



[RETURNS TO OVERALL](#)

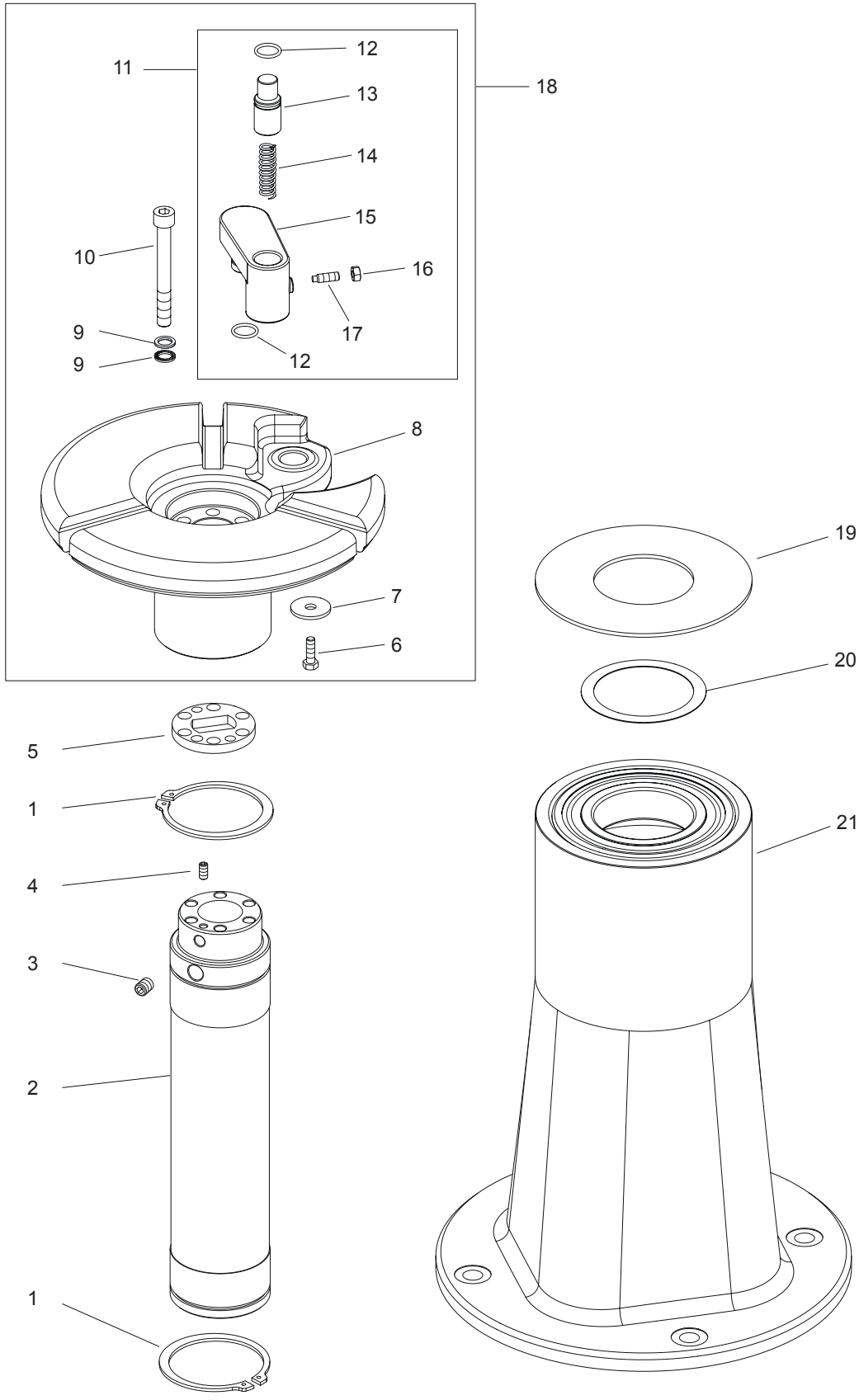
TCX70 Tire Changer

REFER TO NEXT SHEET FOR PARTS DESCRIPTION LISTING

Index No.	Part Number	Description
1	RP11-2-01040	SOCKET SET SCREW M12X12
2	RP11-2-02096	SOCKET SET SCREW M12X20
3	RP11-2-03409	SCREW M6X14
4	RP11-2-03438	SOCKET COUNTERSUNK SCREW M4X6
5	RP11-2-03737	PIN D.5X24
6	RP11-2-72205	SOCKET COUNTERSUNK SCREW M4X8
7	RP11-4-103256	LEVER
8	RP11-4-103264	GEAR
9	RP11-4-103932	PIN

Index No.	Part Number	Description
10	RP11-4-106610	GEAR COVER
11	RP11-4-133384	LEVERLESS HOOK
12	RP11-4-115080	STIFFENING
13	RP11-4-133381	HEAD WITH PINS
14	RP11-453469	SHIM WASHER 6.3X14.8X1.5
15	RP11-5-101265	TRACE
16	RP11-5-104772	TRACE
17	RP11-5-121452	COMPLETE HEAD
18	RP11-5-105825	SHIM AND SPRING RING KIT

TURNTABLE



[RETURNS TO OVERALL](#)

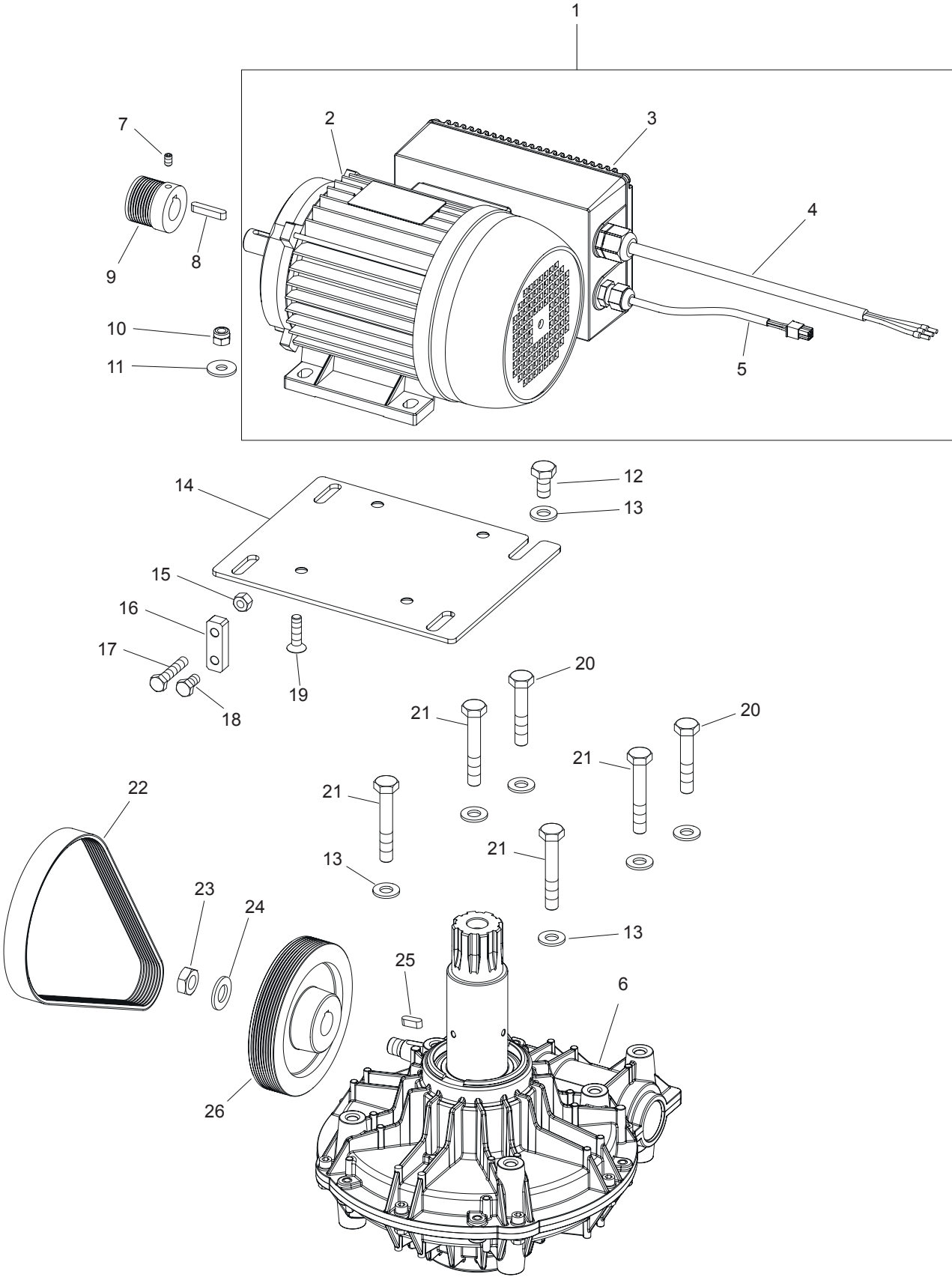
Index No.	Part Number	Description
1	RP11-2-71592	RETAINING RING FOR SHAFT D.60
2	RP11-4-135003	DRIVEN SHAFT
3	RP11-2-71364	HEX.SOCKET SET SCREW M8X12
4	RP11-2-00850	HEX.SOCKET SET SCREW M5X10
5	RP11-4-103142	SPECIAL WASHER
6	RP11-2-02337	HEXAGON HEAD CAP SCREW M5X16
7	RP11-434168	WASHER D.6.6X24X2
8	RP11-4-103152	TURNTABLE
9	RP11-4-102752	WASHER D.8
10	RP11-4-104811	SPECIAL SCREW M8X70
11	RP11-5-102707	LEVER WITH DRAG PIN

Index No.	Part Number	Description
12	RP11-424630	O-RING 2050 (12.42X1.78)
13	RP11-4-102326	PIN
14	RP11-4-102331	SPRING
15	RP11-4-103143	LEVER
16	RP11-2-00676	NUT M5
17	RP11-2-02560	SOCKET SET SCREW M5X16
18	RP11-5-101199	TURNTABLE ASSEMBLY
19	RP11-4-407191	COVER
20	RP11-2-00052	WASHER D.60X70X0.5
21	RP11-5-104092	CHUCK HOLDER WITH BEARINGS

Index No.	Part Number	Description
1	RP11-5-101197	HANDLE LOCKING WHEEL ASSEMBLY
2	RP11-4-104822	CLAMPING NUT
3	RP11-2-00021	SEEGER D.8
4	RP11-4-103675	SPRING D.8X20X1
5	RP11-4-103226	BODY
6	RP11-4-103673	LEVER RETURN SPRING
7	RP11-4-104809	FIXING PIN LEVER HANDLE
8	RP11-5-101931	HANDLE WITH LEVER
9	RP11-2-01257	NUT WITH POLYAMIDE RING M6
10	RP11-4-103669	BLACK HANDLE D.60 M24
11	RP11-5-103532	CLAMPING NUT

Index No.	Part Number	Description
12	RP11-4-103668	LOCKING WHEEL BAR
13	RP11-461560	RUBBER
14	RP11-4-119835	RING D.50X2,5
15	RP11-4-104810	PIN
16	RP11-4-103232	PROTECTION CONE D.120
17	RP11-4-103229	CONE D.145
18	RP11-4-118294	CONE D.74
19	RP11-4-103235	CONE D.58
20	RP11-5-102722	HANDLE EXTENTION
21	RP11-4-103230	CONE D.120

GEARMOTOR

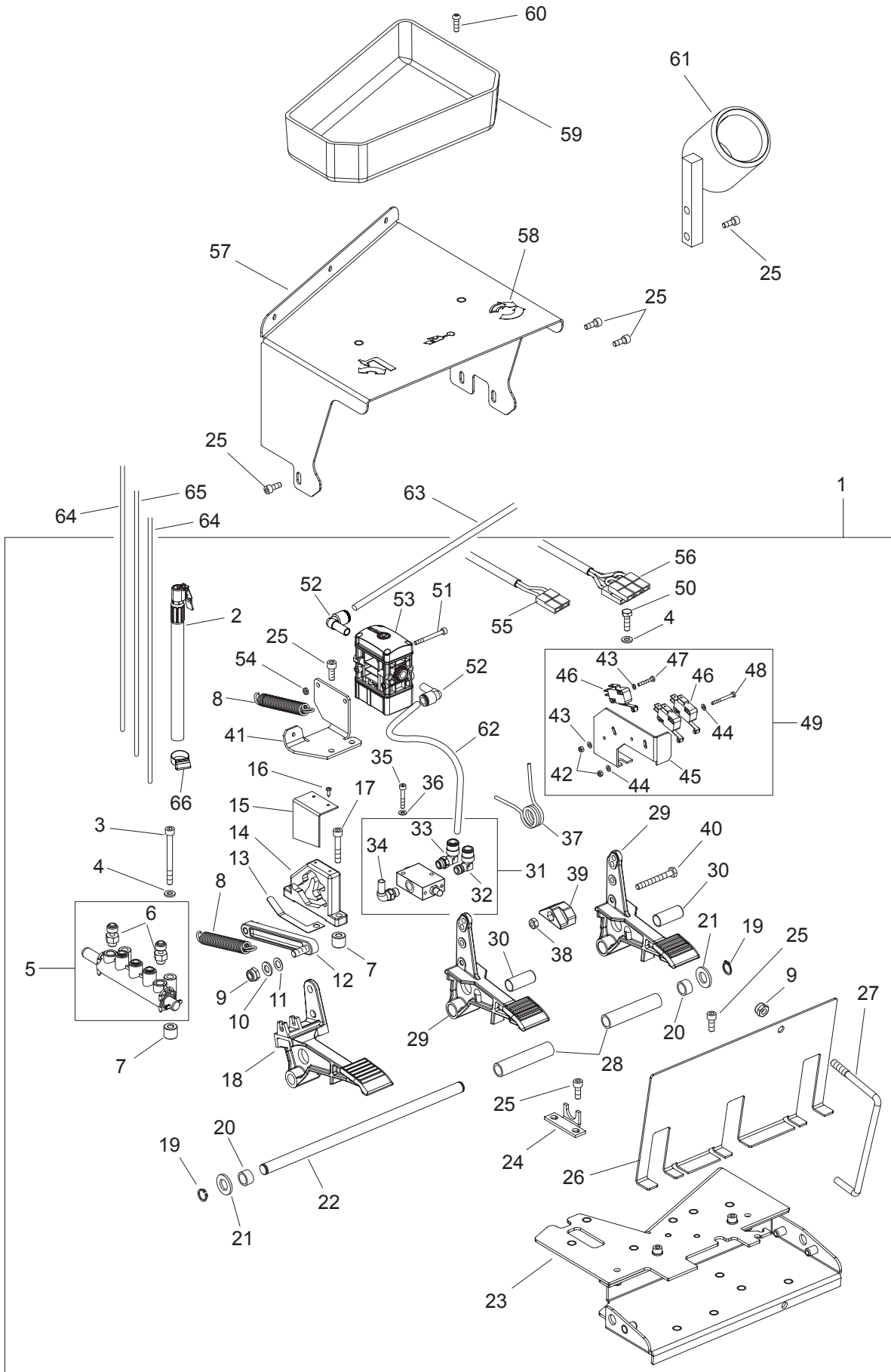


[RETURNS TO OVERALL](#)

Index No.	Part Number	Description
1	RP11-5-105158	COMPLETE ELECTRIC MOTOR 230V 1PH 50/60
2	RP11-4-116184	ELECTRIC MOTOR W/O INVERTER
3	RP11-4-115396	INVERTER PCB 230V + DISSIPATOR
4	RP11-4-111586	FEEDING CABLE
5	RP11-4-109895	CABLE
6	RP11-5-101182	GEARBOX
7	RP11-2-00544	SOCKET SET SCREW M6X10
8	RP11-2-71556	PARALLEL KEY 6X6X30
9	RP11-4-102397	MOTOR PULLEY PV J8
10	RP11-2-01020	NUT WITH POLYAMIDE RING M8
11	RP11-2-01299	WASHER D.9X24X2
12	RP11-2-00379	HEXAGON HEAD CAP SCREW M10X20
13	RP11-2-00213	WASHER FOR HEX CAP SCREW M10

Index No.	Part Number	Description
14	RP11-4-135004	MOTOR HOLDER
15	RP11-2-00112	TICK HEX NUT M8
16	RP11-4-112940	ADJUSTING SCREW SUPPORT PLATE
17	RP11-2-02240	HEXAGON HEAD CAP SCREW M8X40
18	RP11-2-00372	HEXAGON HEAD CAP SCREW M8X16
19	RP11-2-02032	SOCKET COUNTERSUNK SCREW M8X30
20	RP11-2-01046	HEXAGON HEAD CAP SCREW M10X55
21	RP11-2-02668	HEXAGON HEAD CAP SCREW M10X65
22	RP11-3-00573	POLY-V BELT J8-610
23	RP11-2-00941	HEXAGON THIN NUT M14
24	RP11-2-00215	WASHER FOR HEX CAP SCREW M14
25	RP11-2-01950	PARALLEL KEY 6X6X18
26	RP11-339870	GEARBOX PULLEY J8

PEDAL SYSTEM

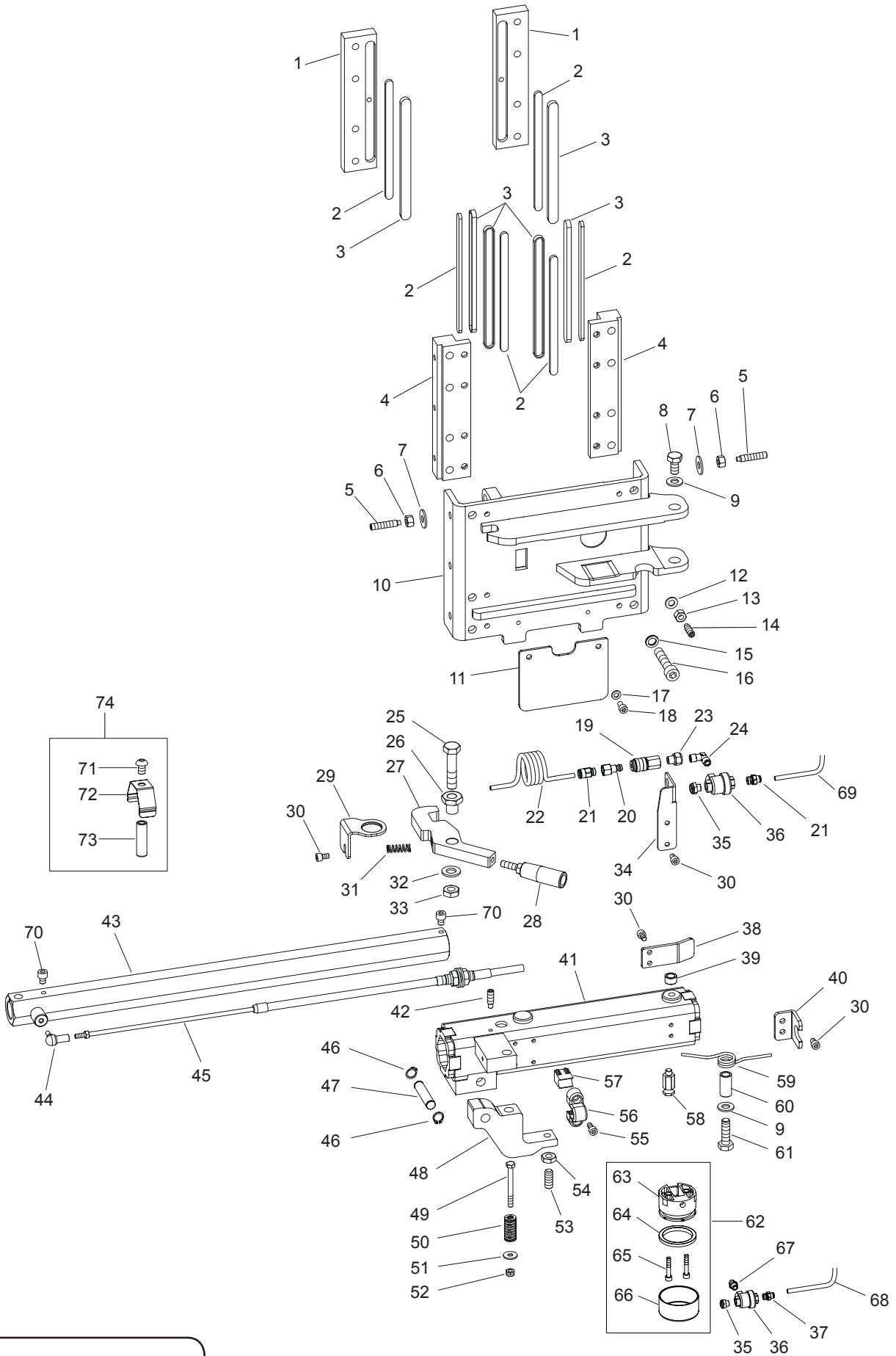


[RETURNS TO OVERALL](#)

Index No.	Part Number	Description
1	RP11-5-102996	COMPLETE PEDAL SYSTEM
2	RP11-5-100129	AIR OUTLET HOSE L.3500
3	RP11-2-03139	SOCKET HEAD CAP SCREW M6X65
4	RP11-2-00211	WASHER FOR HEX CAP SCREW M6
5	RP11-257137	SINGLE VALVE
6	RP11-433675	REGULATOR
7	RP11-4-113471	SPACER
8	RP11-410628	SPRING D.14X2X105
9	RP11-2-01137	NUT WITH POLYAMIDE RING M8
10	RP11-2-00212	WASHER FOR HEX CAP SCREW M8
11	RP11-2-02247	WASHER D.8,4X15
12	RP11-425014	CAM ROD
13	RP11-4-105762	FORK LEAF SPRING
14	RP11-3306148	TRIP CAM
15	RP11-4-105763	CONNECTING ROD GUIDE BRACKET
16	RP11-2-01272	SELF-TAPPING SCREW D.2,9X9,5
17	RP11-2-00909	SOCKET HEAD CAP SCREW M6X35
18	RP11-325030	TILTING PEDAL
19	RP11-2-00025	RETAINING RING FOR SHAFT D.12
20	RP11-4-103658	SPACER
21	RP11-2-00214	WASHER FOR HEX CAP SCREW M12
22	RP11-4-113472	PEDAL PIN
23	RP11-5-103024	PEDAL BASE
24	RP11-4-111296	PIN REINFORCEMENT
25	RP11-2-00309	SOCKET HEAD CAP SCREW M6X16
26	RP11-4-113604	PEDALS FRONT PLATE
27	RP11-4-113537	PEDAL PROTECTION
28	RP11-340313	PEDALS SPACER
29	RP11-252010	REVERSING SWITCHES PEDAL WITH BUSH
30	RP11-452011	BUSH DI 12 DE 14 H 33.5
31	RP11-5-100628	INFLATING VALVE
32	RP11-3-00225	ELBOW FITTING 1/8 T8
33	RP11-3-00049	ORIENTING ELBOW FITTING G1/8 T8

Index No.	Part Number	Description
34	RP11-3-01176	HOSE CONNECTION 1/8 T6
35	RP11-2-03032	SOCKET HEAD CAP SCREW M4X25
36	RP11-2-00209	WASHER FOR HEX CAP SCREW M4
37	RP11-4-109664	INVERTER SPRING
38	RP11-2-00150	NUT M6
39	RP11-461535	BLOCK
40	RP11-2-03427	HEXAGON HEAD CAP SCREW M6X50
41	RP11-4-113474	INFLATING VALVE SUPPORT
42	RP11-2-71505	NUT M3
43	RP11-2-71547	SPRING WASHER D.3
44	RP11-2-00208	WASHER FOR HEX CAP SCREW M3
45	RP11-361524	MICRO SUPPORT
46	RP11-440874	MICROSWITCH
47	RP11-2-00576	CROSS PAN HEAD SCREW M3X20
48	RP11-2-00578	CROSS PAN HEAD SCREW M3X30
49	RP11-261523	MICROSWITCHES GROUP
50	RP11-2-00362	HEXAGON HEAD CAP SCREW M6X20
51	RP11-2-02292	SOCKET HEAD CAP SCREW M4X40
52	RP11-3-00150	ELBOW FITTING C8 T8
53	RP11-3-03313	VALVE
54	RP11-2-71516	LOW NUT M4
55	RP11-4-101698	CABLE
56	RP11-4-105989	CONTROL CABLE-PEDAL SIDE
57	RP11-5-122491	PEDALS PROTECTION WITH LABEL
58	RP11-4-113469	2 SPEED PEDAL LABEL
59	RP11-4-135002	CONTAINER
60	RP11-2-02147	SOCKET BUTTON HEAD SCREW M6X20
61	RP11-4-404386	THREADED HUB SUPPORT
62	RP11-4-135422	POLYURETHAN HOSE D.8X6 L.300
63	RP11-4-135421	POLYURETHAN HOSE D.8X6 L.1000
64	RP11-4-135420	POLYURETHAN HOSE D.6X4 L.1000
65	RP11-4-135419	POLYURETHAN HOSE D.6X4 L.800
66	RP11-403751	HOSE CLAMP

UPPER CARRIAGE

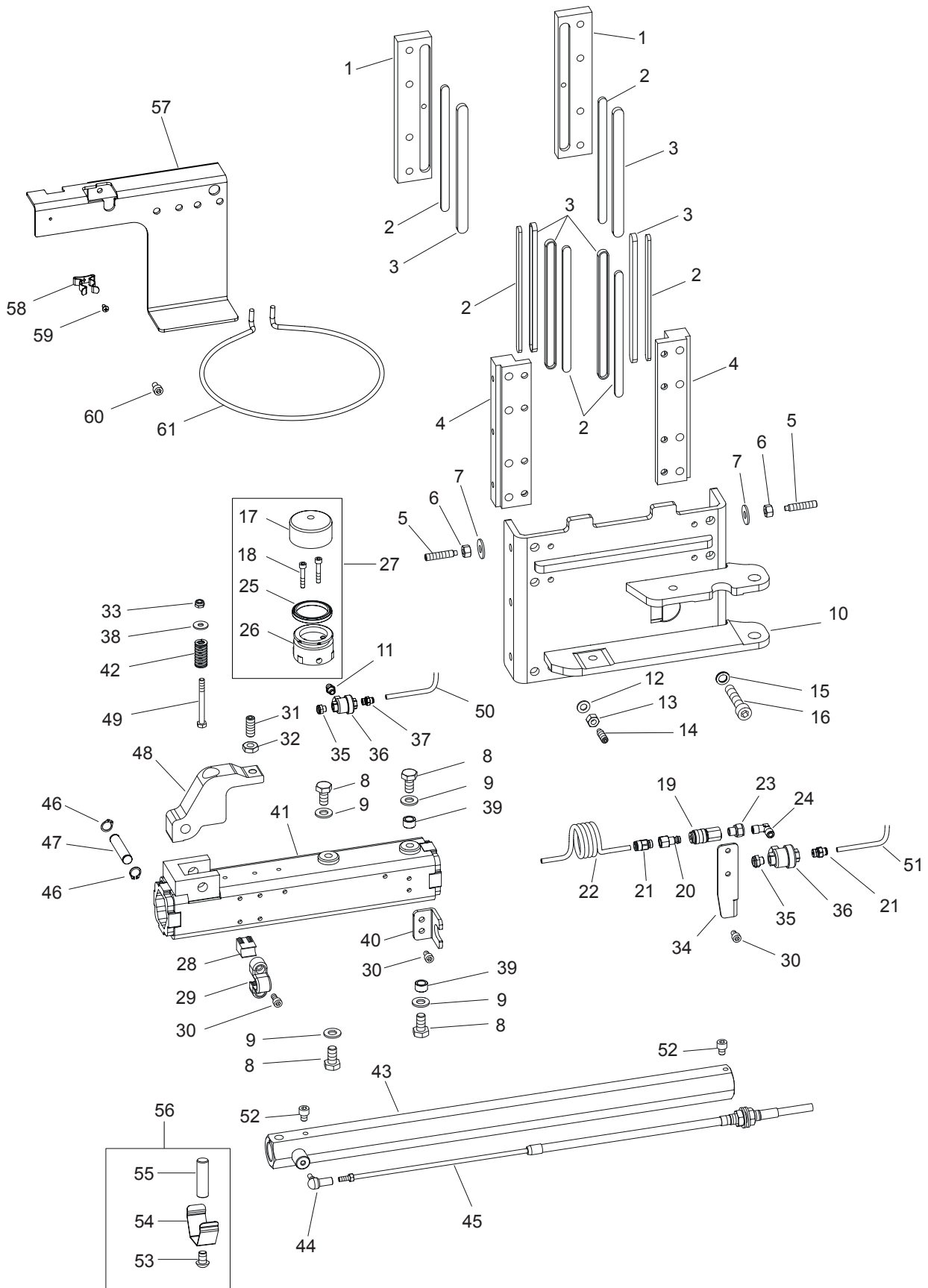


[RETURNS TO OVERALL](#)

Index No.	Part Number	Description
1	RP11-4-135149	EXTERNAL SLIDING SUPPORT
2	RP11-4-105614	PLATE
3	RP11-4-105615	SLIDE
4	RP11-4-135150	INTERNAL SLIDING SUPPORT
5	RP11-2-01835	SOCKET SET SCREW M8X40
6	RP11-2-00112	TICK HEX NUT M8
7	RP11-2-01299	WASHER D.9X24X2
8	RP11-2-00379	HEXAGON HEAD CAP SCREW M10X20
9	RP11-2-00213	WASHER FOR HEX CAP SCREW M10
10	RP11-4-135142	UPPER CARRIAGE
11	RP11-4-111071	RUBBER COVER
12	RP11-2-00212	WASHER FOR HEX CAP SCREW M8
13	RP11-2-00112	TICK HEX NUT M8
14	RP11-2-01322	SOCKET SET SCREW M8X25
15	RP11-3-00699	NORD-LOCK NL10 WASHER
16	RP11-2-01237	SOCKET HEAD CAP SCREW M10X50
17	RP11-2-00211	WASHER FOR HEX CAP SCREW M6
18	RP11-2-00715	SOCKET HEAD CAP SCREW M6X12
19	RP11-3-03817	BALL VALVE D.5 - 1/8
20	RP11-3-01655	QUICK MALE UNION 1/8
21	RP11-3-00461	QUICK UNION 1/8" 6-4
22	RP11-4-135072	POLYURETAN SPIRAL HOSE D.6X4
23	RP11-3-00083	REDUCER G1/8 M-F
24	RP11-3-00308	L-UNION 1/8"
25	RP11-2-01160	HEXAGON HEAD CAP SCREW M12X55
26	RP11-4-108223	ECCENTRIC BUSHING
27	RP11-4-135133	HOOK
28	RP11-4-104541	ROTATING HANDLE
29	RP11-4-135141	ANTI-ROTATION PLATE
30	RP11-2-01989	SOCKET HEAD CAP SCREW M6X10
31	RP11-461435	COMPRESSION SPRING
32	RP11-2-00214	WASHER FOR HEX CAP SCREW M12
33	RP11-2-00158	NUT M12
34	RP11-4-135157	SUPPORT
35	RP11-3-00181	SILENCER G.1/8
36	RP11-4-135134	QUICK EXHAUST VALVE 1/8
37	RP11-3-00463	STRAIGHT MALE ADAPTOR G1/8 T.4

Index No.	Part Number	Description
38	RP11-4-135158	STOPPER
39	RP11-4-135153	BUSH DI 10 DE 15 H 9
40	RP11-4-135152	REAR BRACKET FOR BOWDEN CABLE
41	RP11-4-135135	UPPER BEAD BREAKER ARM
42	RP11-4-135159	PIN D.8
43	RP11-4-135122	HEXAGONAL BAR CH41
44	RP11-419010	JOINT M6
45	RP11-4-105612	FLEX CABLE L.2000
46	RP11-2-00025	RETAINING RING FOR SHAFT D.12
47	RP11-4-135151	PIN D.12
48	RP11-4-108218	LOCKING LEVER
49	RP11-2-02812	HEXAGON HEAD CAP SCREW M6X60
50	RP11-431257	COMPRESSION SPRING
51	RP11-2-00679	WASHER D.6X18X1,5
52	RP11-2-01979	NUT WITH POLYAMIDE RING M6
53	RP11-2-01291	SOCKET SET SCREW M10X25
54	RP11-2-00157	NUT M10
55	RP11-2-00728	SOCKET HEAD CAP SCREW M6X14
56	RP11-4-107517	FEMALE CABLE SUPPORT
57	RP11-4-107518	MALE CABLE SUPPORT
58	RP11-4-135155	SPRING HOOK
59	RP11-4-135156	TORSION SPRING
60	RP11-4-135154	BUSH DI 10 DE 15 H 25
61	RP11-2-01026	HEXAGON HEAD CAP SCREW M10X35
62	RP11-2200641	COMPLETE CYLINDER D.60
63	RP11-443077	PISTON D. 60
64	RP11-4212240	GASKET DE 237
65	RP11-2-01266	SOCKET HEAD CAP SCREW M6X35
66	RP11-3007871	CYLINDER D. 60
67	RP11-3-00143	NIPLES 1/8" - 1/8"
68	RP11-4-135438	POLYURETHAN HOSE D4X2 L1600
69	RP11-4-135436	POLYURETHAN HOSE D.6X4 L.1700
70	RP11-2-01053	SOCKET HEAD CAP SCREW M8X10
71	RP11-2-02148	SOCKET BUTTON HEAD SCREW M8X12
72	RP11-4-105295	PLATE
73	RP11-4-105294	PIN
74	RP11-5-101697	TOOL PIN ASSEMBLY

LOWER CARRIAGE



[RETURNS TO OVERALL](#)

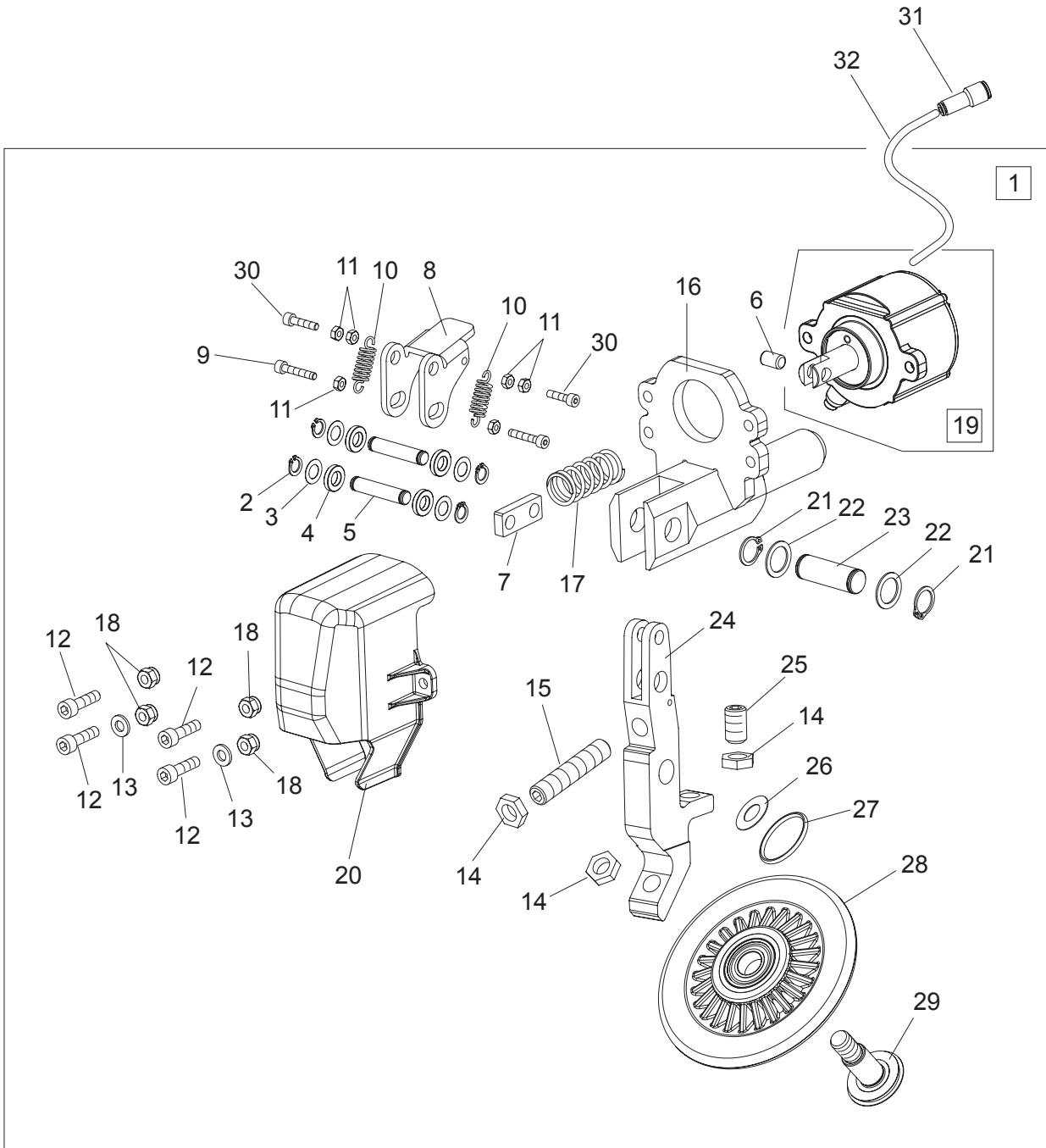
TCX70 Tire Changer

REFER TO NEXT SHEET FOR PARTS DESCRIPTION LISTING

Index No.	Part Number	Description
1	RP11-4-135149	EXTERNAL SLIDING SUPPORT
2	RP11-4-105614	PLATE
3	RP11-4-105615	SLIDE
4	RP11-4-135150	INTERNAL SLIDING SUPPORT
5	RP11-2-01835	SOCKET SET SCREW M8X40
6	RP11-2-00112	TICK HEX NUT M8
7	RP11-2-01299	WASHER D.9X24X2
8	RP11-2-00379	HEXAGON HEAD CAP SCREW M10X20
9	RP11-2-00213	WASHER FOR HEX CAP SCREW M10
10	RP11-4-135175	LOWER CARRIAGE
11	RP11-3-00143	NIPLES 1/8" - 1/8"
12	RP11-2-00212	WASHER FOR HEX CAP SCREW M8
13	RP11-2-00112	TICK HEX NUT M8
14	RP11-2-01322	SOCKET SET SCREW M8X25
15	RP11-3-00699	NORD-LOCK NL10 WASHER
16	RP11-2-01237	SOCKET HEAD CAP SCREW M10X50
17	RP11-3007871	CYLINDER D. 60
18	RP11-2-01266	SOCKET HEAD CAP SCREW M6X35
19	RP11-3-03817	BALL VALVE D.5 -1/8
20	RP11-3-01655	QUICK MALE UNION 1/8
21	RP11-3-00461	QUICK UNION 1/8" 6-4
22	RP11-4-135072	POLYURETAN SPIRAL HOSE D.6X4
23	RP11-3-00083	REDUCER G1/8 M-F
24	RP11-3-00308	L-UNION 1/8"
25	RP11-4212240	GASKET DE 237
26	RP11-443077	PISTON D. 60
27	RP11-2200641	COMPLETE CYLINDER D.60
28	RP11-4-107518	MALE CABLE SUPPORT
29	RP11-4-107517	FEMALE CABLE SUPPORT
30	RP11-2-00728	SOCKET HEAD CAP SCREW M6X14
31	RP11-2-01291	SOCKET SET SCREW M10X25

Index No.	Part Number	Description
32	RP11-2-00157	NUT M10
33	RP11-2-01979	NUT WITH POLYAMIDE RING M6
34	RP11-4-135180	SUPPORT
35	RP11-3-00181	SILENCER G.1/8
36	RP11-4-135134	QUICK EXHAUST VALVE 1/8
37	RP11-3-00463	STRAIGHT MALE ADAPTOR G1/8 T.4
38	RP11-2-00679	WASHER D.6X18X1,5
39	RP11-4-135153	BUSH DI 10 DE 15 H 9.5
40	RP11-4-135152	REAR BRACKET FOR BOWDEN CABLE
41	RP11-4-135542	LOWER BEAD BREAKER ARM
42	RP11-431257	COMPRESSION SPRING
43	RP11-4-135122	HEXAGONAL BAR CH41
44	RP11-419010	JOINT M6
45	RP11-4-105817	FLEX CABLE L.2600
46	RP11-2-00025	RETAINING RING FOR SHAFT D.12
47	RP11-4-135151	PIN D.12
48	RP11-4-108218	LOCKING LEVER
49	RP11-2-02812	HEXAGON HEAD CAP SCREW M6X60
50	RP11-4-135439	POLYURETHAN HOSE D4X2 L2100
51	RP11-4-135437	POLYURETHAN HOSE D.6X4 L.2300
52	RP11-2-01053	SOCKET HEAD CAP SCREW M8X10
53	RP11-2-02148	SOCKET BUTTON HEAD SCREW M8X12
54	RP11-4-105295	PLATE
55	RP11-4-105294	PIN
56	RP11-5-101697	TOOL PIN ASSEMBLY
57	RP11-4-135120	TIRE PASTE SUPPORT
58	RP11-3-03816	CLAMP
59	RP11-2-01321	SELF-TAPPING SCREW D.3,5X9,5
60	RP11-2-01989	SOCKET HEAD CAP SCREW M6X10
61	RP11-3015083	HOLDER FOR TYRE PASTE CONTAINER

BEAD BREAKER DISK



[RETURNS TO OVERALL](#)

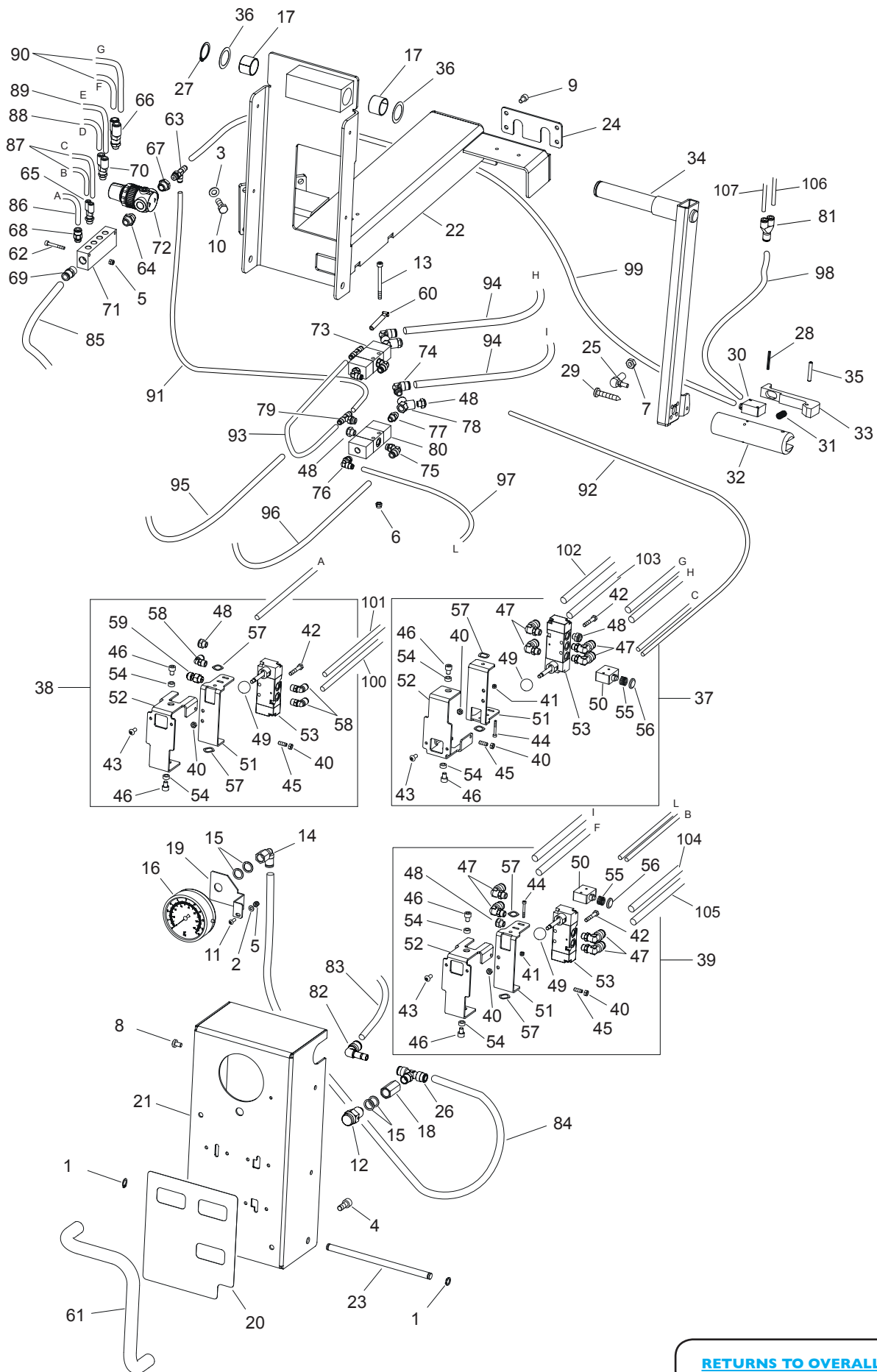
TCX70 Tire Changer

REFER TO NEXT SHEET FOR PARTS DESCRIPTION LISTING

Index No.	Part Number	Description
1	RP11-5-102087	BEAD BREAKER ASSEMBLY
2	RP11-2-00021	SEEGER RING D. 8
3	RP11-301694	WASHER D.14X8X0,2
4	RP11-339856	WASHER D.8,25X15X3
5	RP11-4-106224	PIN
6	RP11-4-106234	FULCRUM PIN
7	RP11-4-106199	CONNECTING ROD
8	RP11-4-106025	SHEET BLOCK
9	RP11-2-00927	SOCKET HEAD CAP SCREW M4X22
10	RP11-4-106238	SPRING
11	RP11-2-00149	NUT M 4
12	RP11-2-00934	SOCKET HEAD CAP SCREW M6X22
13	RP11-2-00211	WASHER FOR HEX CAP SCREW M6
14	RP11-4-106024	SPECIAL NUT M12
15	RP11-2-02398	SOCKET SET SCREW M12X60
16	RP11-4-105783	SUPPORT

Index No.	Part Number	Description
17	RP11-4-106235	SPRING D.20X45X2,2
18	RP11-2-01257	NUT WITH POLYAMIDE RING M6
19	RP11-5-102062	CYLINDER D.60
20	RP11-4-108676	COVER
21	RP11-2-00026	SEEGER D.14
22	RP11-435005	WASHER D.15X21X1
23	RP11-4-103723	PIN
24	RP11-4-106181	DISK SUPPORT
25	RP11-2-02096	SOCKET SET SCREW M12X20
26	RP11-462117	WASHER D.12X24X0,5
27	RP11-421833	O-RING D.29,82X2,62
28	RP11-5-100688	ROLLER
29	RP11-4-106180	PIN
30	RP11-2-00757	SOCKET HEAD CAP SCREW M4X14
31	RP11-3-01174	STRAIGHT CONNECTOR FF T4-T6
32	RP11-4-135434	POLYURETHAN HOSE D4X2 L35

CONTROL UNIT

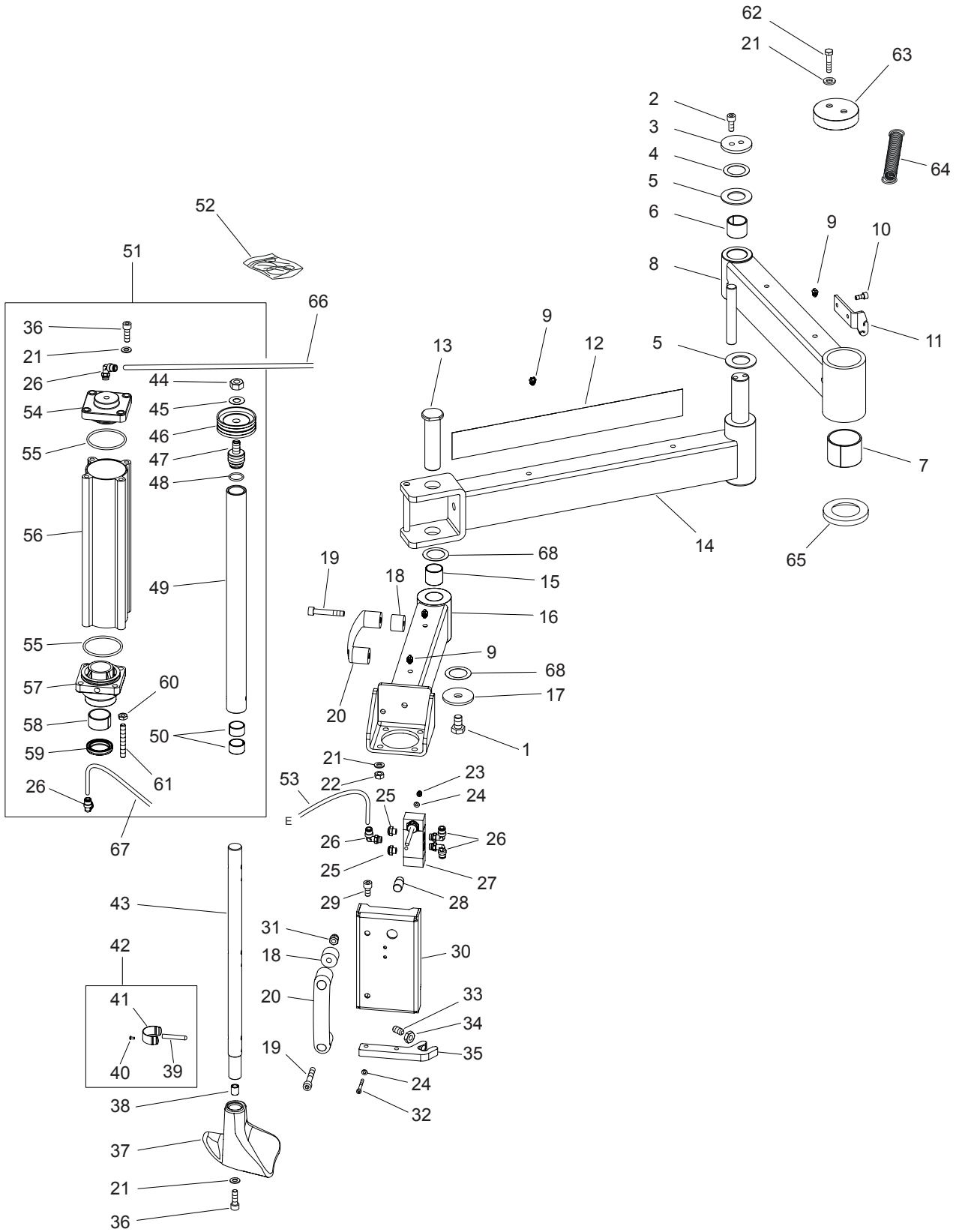


[RETURNS TO OVERALL](#)

Index No.	Part Number	Description
1	RP11-2-00023	RETAINING RING FOR SHAFT D.10
2	RP11-2-00209	WASHER FOR HEX CAP SCREW M4
3	RP11-2-00212	WASHER FOR HEX CAP SCREW M8
4	RP11-2-00320	SOCKET HEAD CAP SCREW M8X20
5	RP11-2-01018	NUT WITH POLYAMIDE RING M4
6	RP11-2-01023	NUT WITH POLYAMIDE RING M5
7	RP11-2-00150	NUT M6
8	RP11-2-02362	CROSS PAN HEAD SCREW M6X10
9	RP11-2-01989	SOCKET HEAD CAP SCREW M6X10
10	RP11-2-00374	HEXAGON HEAD CAP SCREW M8X25
11	RP11-2-02146	SOCKET BUTTON HEAD SCREW M4X12
12	RP11-3012530	PUSH-BUTTON
13	RP11-2-71328	SOCKET HEAD CAP SCREW M5X60
14	RP11-3-00146	ORIENTING ELBOW FITTING 1/4 F T8
15	RP11-3-00449	ALUMINIUM WASHER 1/4
16	RP11-3-00490	PRESSURE GAUGE G1/4 0-10BAR
17	RP11-3-00627	BUSH d.25 x d.28x20
18	RP11-338576	SPACER 17X32
19	RP11-4-112449	PRESSURE GAUGE SUPPORT
20	RP11-4-135060	LABEL, TCX70 CONTROL UNIT
21	RP11-4-135226	CONTROL UNIT COVER
22	RP11-4-135227	CONTROL UNIT ARM
23	RP11-4-135247	PIN D.10
24	RP11-4-135327	PLATE FOR FIXING BOWDEN CABLE
25	RP11-419010	JOINT M6
26	RP11-4-402799	T-FITTING G1/4C T8
27	RP11-2-00032	RETAINING RING FOR SHAFT D.25
28	RP11-2-02014	SPRING PIN D.3.5X28
29	RP11-2-71481	SELF-TAPPING SCREW D.5.5X32
30	RP11-3-03822	PNEUMATIC VALVE 3/2 NO T.4
31	RP11-4-103811	COMPRESSION SPRING
32	RP11-4-135235	HANDLE
33	RP11-4-135236	VALVE OPERATION LEVER
34	RP11-4-135237	DISK POSITIONING LEVER
35	RP11-418509	PARALLEL PIN ISO8734A D.5X32
36	RP11-425353	WASHER DIN988 D.25X35X0.3
37	RP11-5-122086	UPPER BEAD BREAKER VALVE
38	RP11-5-122087	TOOL VALVE
39	RP11-5-122089	LOWER BEAD BREAKER VALVE
40	RP11-2-00166	LOW NUT M5
41	RP11-2-01017	NUT WITH POLYAMIDE RING M3
42	RP11-2-02322	HEXAGON HEAD CAP SCREW M5X30
43	RP11-2-02677	SOCKET BUTTON HEAD SCREW M5X12
44	RP11-2-02907	SOCKET HEAD CAP SCREW M3X25
45	RP11-2-02980	SOCKET SET SCREW M5X14
46	RP11-2-01006	SOCKET HEAD CAP SCREW M6X8
47	RP11-3-00059	ORIENTING ELBOW FITTING 1/8 T8
48	RP11-3-00181	SILENCER G.1/8
49	RP11-3-01583	PLASTIC BALL KNOB M5 D.20
50	RP11-3-03818	PNEUMATIC VALVE 3/2 NC T.4
51	RP11-4-135241	MOBILE VALVE SUPPORT
52	RP11-4-135242	FIXED VALVE SUPPORT
53	RP11-4-135243	PNEUMATIC VALVE 5/3 CC G1/8
54	RP11-4-135244	CYLINDRICAL BUSHING DI 6 DE 10 H 4.5

Index No.	Part Number	Description
55	RP11-4-135245	COMPRESSION SPRING
56	RP11-4-135246	DISK FOR SPRING
57	RP11-463078	ELASTIC WASHER 12X17
58	RP11-3-00057	ORIENTING ELBOW FITTING 1/8 T6
59	RP11-433675	REGULATOR
60	RP11-3-02319	CAP D.4
61	RP11-5-122088	CONTROL UNIT HANDLE
62	RP11-2-02078	SOCKET HEAD CAP SCREW M4X30
63	RP11-3-00064	ORIENTING T-QUICK UNION G1/8 T.4
64	RP11-3-00140	NIPPLE G1/4
65	RP11-3-00174	Y-UNION 1/8 T.4 REVOLVING
66	RP11-3-00175	Y MALE ADAPTOR G1/8 T8
67	RP11-3-00269	REDUCTION 1/4" M - 1/8" F
68	RP11-3-00461	QUICK UNION 1/8" 6-4
69	RP11-3-00478	STRAIGHT MALE ADAPTOR G1/4 T.8
70	RP11-3-01206	Y MALE ADAPTOR G1/8 T.6
71	RP11-3-03821	PNEUMATIC DISTRIBUTOR
72	RP11-4213745	PRESSURE REGULATOR
73	RP11-5-122100	COMPLETE PNEUMATIC VALVE 3/2 NC 1/8
74	RP11-3-00049	ORIENTING ELBOW FITTING G1/8 T8
75	RP11-3-00053	ORIENTING ELBOW FITTING 1/8 T6
76	RP11-3-00054	ORIENTING ELBOW FITTING 1/8 T4
77	RP11-3-00143	NIPLES 1/8" - 1/8"
78	RP11-3-00164	Y UNION 1/8"
79	RP11-3-00291	ORIENTING T-QUICK UNION G1/8 T.4
80	RP11-3-00378	PNEUMATIC VALVE 3/2 NC 1/8
81	RP11-3-02721	Y-MALE ADAPTOR T-4
82	RP11-3-03504	ELBOW FITTING C8 T8
83	RP11-4-135423	POLYURETHAN HOSE D.8X6 L.4100
84	RP11-4-135433	POLYURETHAN HOSE D.8X6 L.200
85	RP11-4-135431	POLYURETHAN HOSE D.8X6 L.2300
86	RP11-4-135444	POLYURETHAN HOSE D.6X4 L.600
87	RP11-4-135449	POLYURETHAN HOSE D.4X2 L.900
88	RP11-4-402006	RILSAN HOSE D.6-4 L.1600
89	RP11-3011973	RILSAN HOSE D.6-4 L.2200
90	RP11-4-135432	POLYURETHAN HOSE D.8X6 L.900
91	RP11-4-101234	POLYURETHAN HOSE D.4X2 L.500
92	RP11-4-135448	POLYURETHAN HOSE D.4X2 L.1500
93	RP11-4-136266	POLYURETHAN HOSE D.4X2 L.100
94	RP11-4-135430	POLYURETHAN HOSE D.8X6 L.1300
95	RP11-4-135436	POLYURETHAN HOSE D.6X4 L.1700
96	RP11-4-135437	POLYURETHAN HOSE D.6X4 L.2300
97	RP11-4-135435	POLYURETHAN HOSE D.4X2 L.1450
98	RP11-4-135441	POLYURETHAN HOSE D.4X2 L.1000
99	RP11-4-135440	POLYURETHAN HOSE D.4X2 L.1400
100	RP11-4-135443	POLYURETHAN HOSE D6X4 L.1900
101	RP11-4-135442	POLYURETHAN HOSE D6X4 L.1800
102	RP11-4-135429	POLYURETHAN HOSE D.8X6 L.3000
103	RP11-4-135427	POLYURETHAN HOSE D.8X6 L.2400
104	RP11-4-135426	POLYURETHAN HOSE D.8X6 L.2100
105	RP11-4-135425	POLYURETHAN HOSE D.8X6 L.1600
106	RP11-4-135438	POLYURETHAN HOSE D4X2 L1600
107	RP11-4-135439	POLYURETHAN HOSE D4X2 L2100

BP

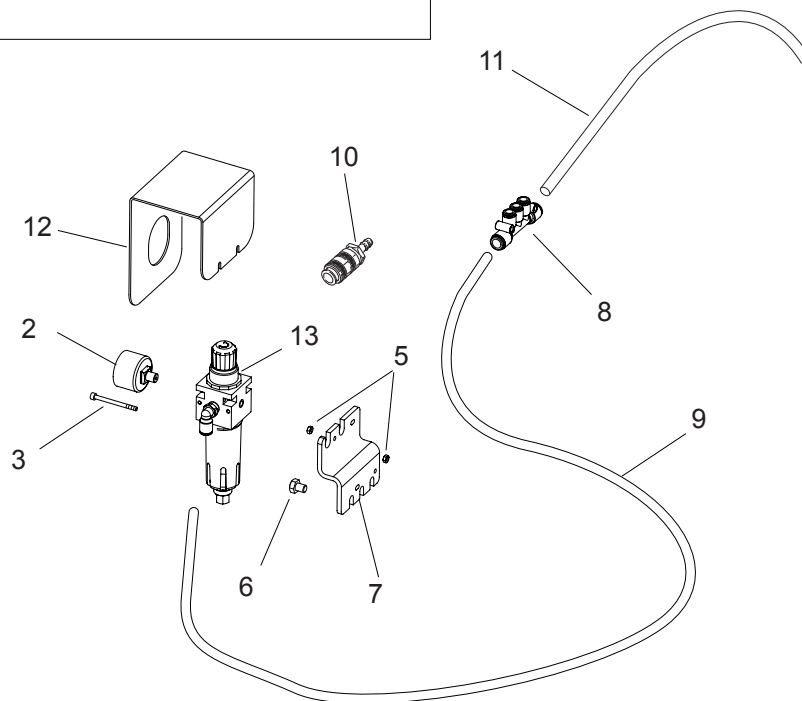
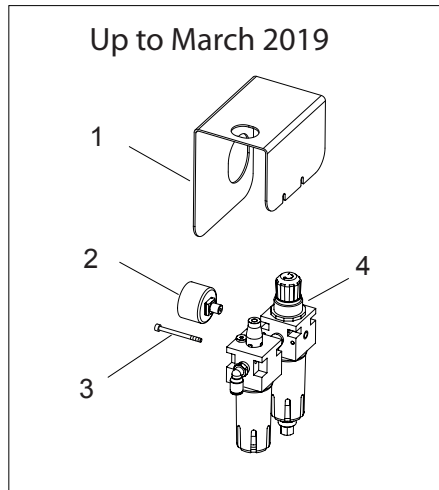


[RETURNS TO OVERALL](#)

Index No.	Part Number	Description
1	RP11-2-00386	HEXAGON HEAD CAP SCREW M12X20
2	RP11-2-00320	SOCKET HEAD CAP SCREW M8X20
3	RP11-4-113162	WASHER
4	RP11-436721	WASHER D.28X42X0.5
5	RP11-4-115388	WASHER D.28,5X50X2
6	RP11-3-00628	BUSH D.28x32 H25
7	RP11-3-01162	BUSH D.50 H40
8	RP11-5-122567	ARM WITH BUSHES
9	RP11-445039	EXPANSION FASTENING COLUMN
10	RP11-2-00728	SOCKET HEAD CAP SCREW M6X14
11	RP11-4-135021	BRACKET
12	RP11-4-405458	PLATFORM LABEL
13	RP11-4-106799	FULCRUM PIN
14	RP11-4-135018	CENTRAL ARM
15	RP11-3-80106	BUSH d.25 x D.28x25
16	RP11-5-122039	ARM WITH BUSHES
17	RP11-318216	WASHER D.12,5X50X4
18	RP11-461626	HANDLE SPACER
19	RP11-2-00901	SOCKET HEAD CAP SCREW M8X50
20	RP11-458702	HANDLE
21	RP11-2-00212	WASHER FOR HEX CAP SCREW M8
22	RP11-2-01137	NUT WITH POLYAMIDE RING M8
23	RP11-2-01018	NUT WITH POLYAMIDE RING M4
24	RP11-2-00209	WASHER FOR HEX CAP SCREW M4
25	RP11-3-00181	SILENCER G.1/8
26	RP11-3-00053	ORIENTING ELBOW FITTING 1/8 T6
27	RP11-3-00371	VALVE
28	RP11-440585	HANDLE
29	RP11-2-00319	SOCKET HEAD CAP SCREW M8X16
30	RP11-4-135013	HANDLE SUPPORT
31	RP11-2-00105	HEX DOMED CAP NUT
32	RP11-2-02022	SOCKET HEAD CAP SCREW M4X35
33	RP11-3-03800	SPRING PLUNGER WITH BALL M10X20
34	RP11-2-00157	NUT M10

Index No.	Part Number	Description
35	RP11-4-135014	PLATE
36	RP11-2-00321	SOCKET HEAD CAP SCREW M8X25
37	RP11-4-106888	BEAD PRESSING PAD
38	RP11-4-103846	SPACER
39	RP11-4-107514	PIN
40	RP11-2-03111	SOCKET BUTTON HEAD SCREW M3X6
41	RP11-4-107516	CLIP
42	RP11-5-103287	RETAINING PIN
43	RP11-4-135011	SHAFT
44	RP11-2-00153	NUT M12
45	RP11-309197	WASHER D.12X25X0,6
46	RP11-4-106793	GASKET WITH FLANGE D.63
47	RP11-4-106792	PIN
48	RP11-417746	O-RING 3075 (2.62X18.72)
49	RP11-5-122571	SHAFT WITH BUSHES
50	RP11-3-00622	BUSH D.22 H15
51	RP11-5-122012	CYLINDER D.63
52	RP11-5-102410	SET OF GASKETS FOR CYLINDER D.63
53	RP11-3011973	RILSAN HOSE D.6-4 L.2200
54	RP11-4-106788	CYLINDER REAR FLANGE
55	RP11-416454	O-RING 4225 (3.53X56.74)
56	RP11-4-106790	CASING FOR CYLINDER
57	RP11-5-104568	CYLINDER FRONT FLANGE WITH BUSH
58	RP11-3-80112	BUSH D.32x36 H20
59	RP11-4-106825	LIPPED GASKET ASR 32X42X7.5
60	RP11-2-00156	LOW NUT M8
61	RP11-2-02683	SOCKET SET SCREW M8X60
62	RP11-2-00374	HEXAGON HEAD CAP SCREW M8X25
63	RP11-4-116790	BP FIXING DISC
64	RP11-4-122581	TENSION SPRING
65	RP11-4-111572	CONICAL WASHER D.50X80 H10
66	RP11-3015362	RILSAN HOSE D.6-4 L. 520
67	RP11-3094820	RILSAN HOSE D.6-4 L. 230
68	RP11-425352	WASHER D.25X35X0.2

PRESSURE REGULATOR



[RETURNS TO OVERALL](#)

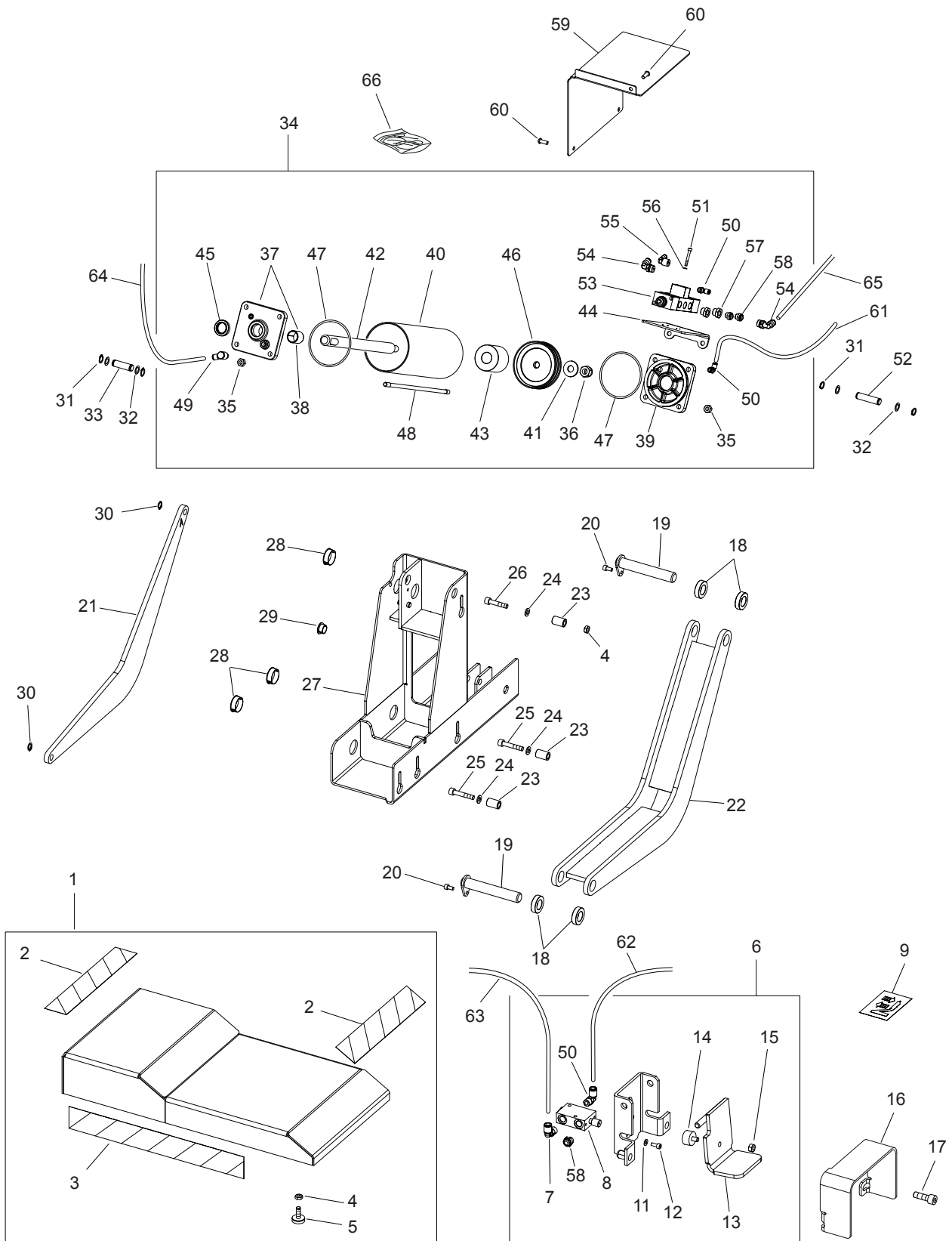
TCX70 Tire Changer

REFER TO NEXT SHEET FOR PARTS DESCRIPTION LISTING

Index No.	Part Number	Description
1	RP11-4-113270	FILTER PROTECTION
2	RP11-3-00488	MANOMETER G1/8 0-12BAR
3	RP11-2-01800	SOCKET HEAD CAP SCREW M4X50
4	RP11-3-00732	PRESSURE REGULATOR+LUBRICATOR
5	RP11-2-00149	NUT M 4
6	RP11-2-00371	HEXAGON HEAD CAP SCREW M8X10
7	RP11-4-113048	PNEUMATIC ASSEMBLY SUPPORT

Index No.	Part Number	Description
8	RP11-3-03294	5-WAY DISTRIBUTOR
9	RP11-4-135424	POLYURETHAN HOSE D.8X6 L.700
10	RP11-3-00411	BALL VALVE (D.10,5)
11	RP11-4-135431	POLYURETHAN HOSE D.8X6 L.2300
12	RP11-4-136952	FILTER PROTECTION
13	RP11-3-04129	PRESSURE REGULATOR + MANOMETER

LIFT TABLE

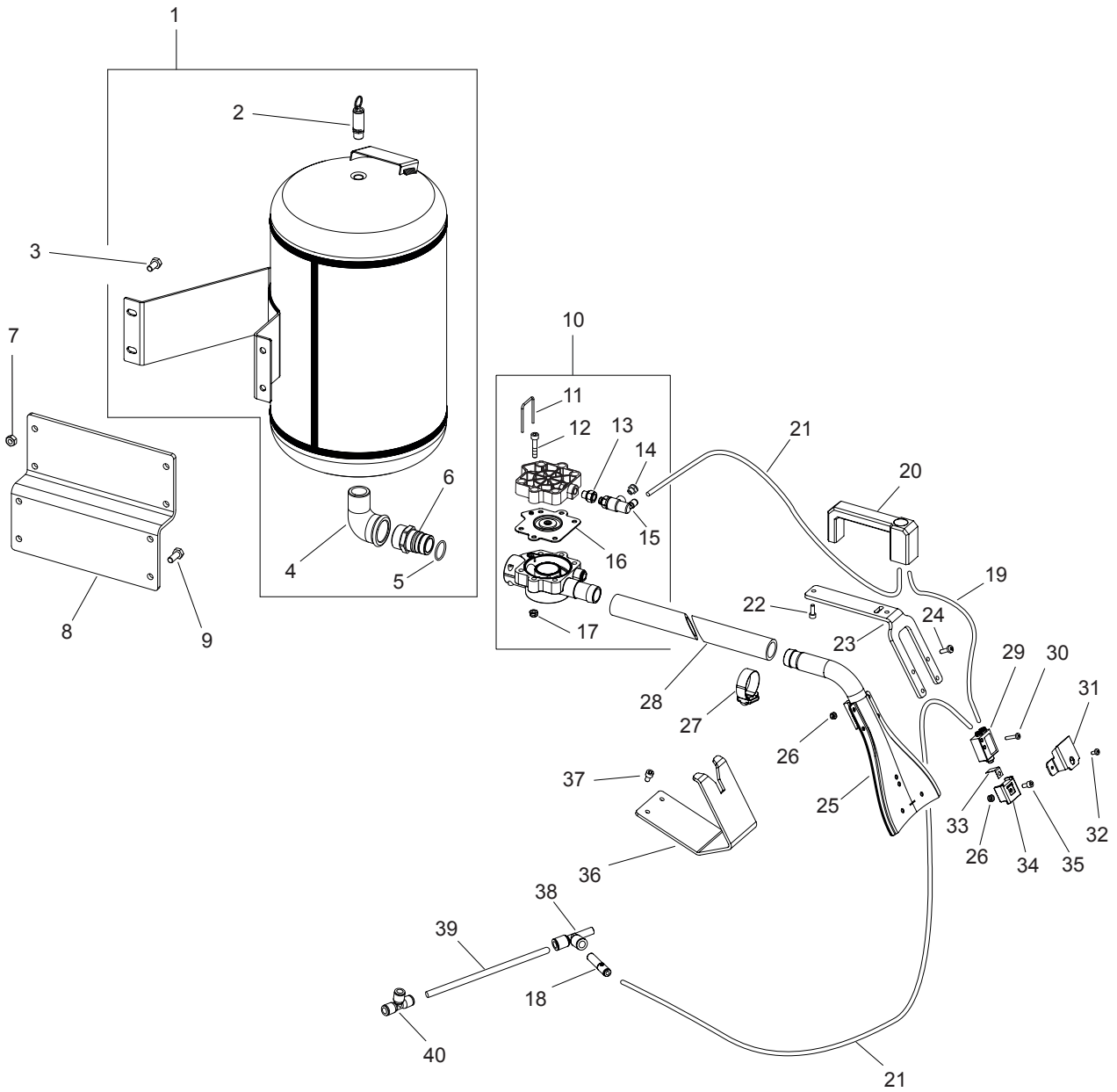


[RETURNS TO OVERALL](#)

Index No.	Part Number	Description
1	RP11-5-122585	LIFT TABLE
2	RP11-4-135510	PLATFORM LABEL
3	RP11-4-405458	PLATFORM LABEL
4	RP11-2-00156	LOW NUT M8
5	RP11-3-03325	SHOCK ABSORBER D. 25X7 M 8X23
6	RP11-5-122058	LIFT PEDAL
7	RP11-3-00053	ORIENTING ELBOW FITTING 1/8 T6
8	RP11-5-122301	VALVE WITH SHORT CAP
9	RP11-4-135488	LABEL, LIFTING PEDAL
11	RP11-2-00209	WASHER FOR HEX CAP SCREW M4
12	RP11-2-00289	HEXAGON SOCKET HEAD SCREW M4X10
13	RP11-4-135075	PEDAL
14	RP11-452624	VIBRATION DAMPING 20X11 M6X9
15	RP11-2-00150	NUT M6
16	RP11-4-113080	PEDAL PROTECTION
17	RP11-2-00321	SOCKET HEAD CAP SCREW M8X25
18	RP11-4-405182	SPACER
19	RP11-4-405181	PIN D.20
20	RP11-2-00715	SOCKET HEAD CAP SCREW M6X12
21	RP11-4-405472	ANTI-ROTATION SHAFT
22	RP11-5-122156	LIFT ARM WITH BUSHES
23	RP11-4-135503	SPACER
24	RP11-2-00212	WASHER FOR HEX CAP SCREW M8
25	RP11-2-03650	SOCKET HEAD CAP SCREW M8X45
26	RP11-2-03440	SOCKET HEAD CAP SCREW M8X40
27	RP11-5-122586	LIFT FRAME
28	RP11-429367	CAP D.30
29	RP11-455109	CAP D.18
30	RP11-2-00023	RETAINING RING FOR SHAFT D.10
31	RP11-2-00025	RETAINING RING FOR SHAFT D.12
32	RP11-2-03514	WASHER D.10X16X0,5
33	RP11-3015324	PIN
34	RP11-5-122157	COMPLETE CYLINDER D.90

Index No.	Part Number	Description
35	RP11-2-00151	NUT M8
36	RP11-2-01021	NUT WITH POLYAMIDE RING M12
37	RP11-3009469	CYLINDER FRONT FLANGE D.90
38	RP11-3-80101	BUSH DI 20 DE 23 H 25
39	RP11-3009470	CYLINDER REAR FLANGE D.90
40	RP11-3015315	CASING FOR CYLINDER D.90
41	RP11-3010677	WASHER D. 12,5X30X3
42	RP11-4-135500	SHAFT FOR CYLINDER D.20
43	RP11-4-135501	SPACER
44	RP11-4-135502	VALVE SUPPORT
45	RP11-4206114	LIPPED GASKET NSW 20-30-6
46	RP11-4209463	GASKET WHIT FLANGE D.90
47	RP11-4209464	O-RING 4325 (3.53x82.14)
48	RP11-4-404594	TIE ROD M8
49	RP11-3-00057	ORIENTING ELBOW FITTING 1/8 T6
50	RP11-3-00054	ORIENTING ELBOW FITTING 1/8 T4
51	RP11-2-02078	SOCKET HEAD CAP SCREW M4X30
52	RP11-4-402556	CYLINDER PIN
53	RP11-3-90088	FLIP-FLOP VALVE
54	RP11-3-00051	ORIENTING ELBOW FITTING 1/4 T6
55	RP11-3-00224	ELBOW FITTING 1/4C T4
56	RP11-2-00196	TOOTH WASHER D.4
57	RP11-3-00269	REDUCTION 1/4" M - 1/8" F
58	RP11-3-00181	SILENCER G.1/8
59	RP11-4-135504	CYLINDER COVER
60	RP11-2-02174	SOCKET BUTTON HEAD SCREW M6X16
61	RP11-4-130610	RILSAN HOSE D.4-2 L.130
62	RP11-4-404931	RILSAN HOSE D.4-2 L.1500
63	RP11-3007126	RILSAN HOSE D.6-4 L.1000
64	RP11-4-135428	RILSAN HOSE D.6-4 L.280
65	RP11-3015362	RILSAN HOSE D.6-4 L. 520
66	RP11-5-490272	SET OF GASKET CYLINDER D.90

INFLATOR



[RETURNS TO OVERALL](#)

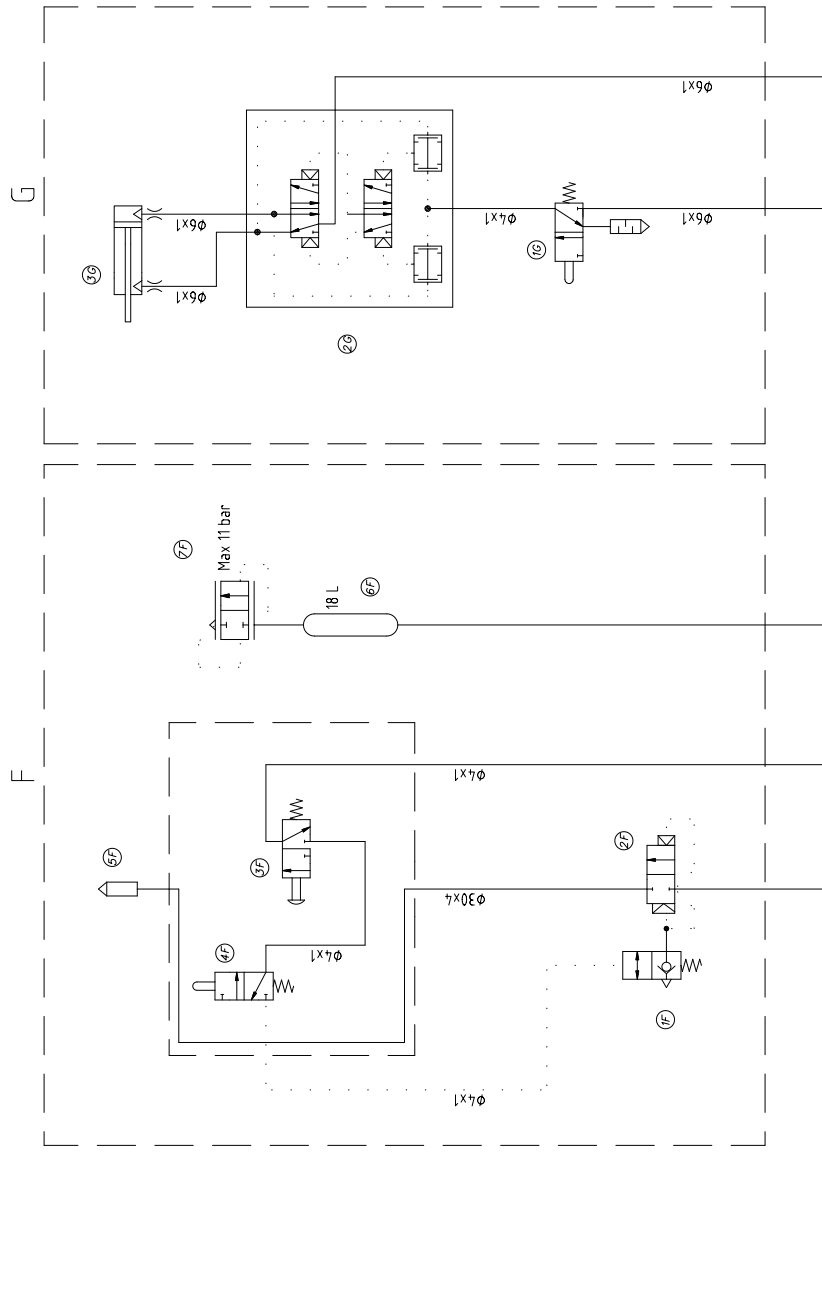
TCX70 Tire Changer

REFER TO NEXT SHEET FOR PARTS DESCRIPTION LISTING

Index No.	Part Number	Description
1	RP11-4-135130	COMPLETE AIR TANK
2	RP11-3-01573	SAFETY VALVE G1/4"
3	RP11-2-00372	HEXAGON HEAD CAP SCREW M8X16
4	RP11-4-401808	L-UNION 1"
5	RP11-3-90168	O-RING (ORM 24.0X2.0)
6	RP11-4-403685	MALE ADAPTER G.1
7	RP11-2-00151	NUT M8
8	RP11-4-135127	TANK SUPPORT
9	RP11-2-00373	HEXAGON HEAD CAP SCREW M8X20
10	RP11-5-401914	COMPLETE INFLATING VALVE
11	RP11-4-403678	U FORK
12	RP11-2-00909	SOCKET HEAD CAP SCREW M6X35
13	RP11-3-00083	REDUCER G1/8 M-F
14	RP11-3-00181	SILENCER G.1/8
15	RP11-3-01175	VALVE
16	RP11-4-403680	DIAPHRAGM
17	RP11-2-01979	NUT WITH POLYAMIDE RING M6
18	RP11-3-01177	QUICK UNION D.8 T.4-2
19	RP11-3015280	RILSAN HOSE D.4-2 L.250
20	RP11-3-90014	CONTROL HANDLE

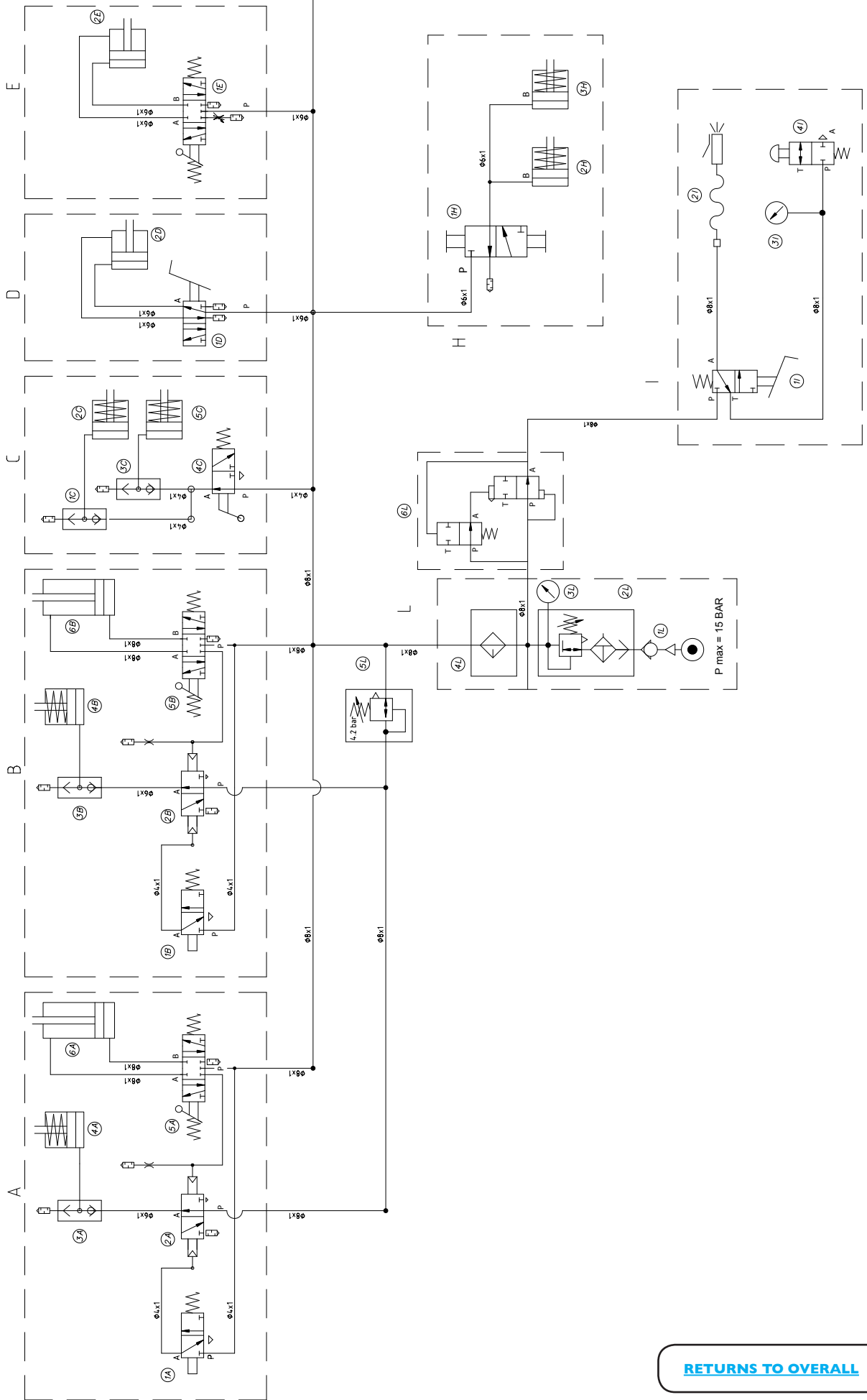
Index No.	Part Number	Description
21	RP11-4-407438	RILSAN HOSE D.4-2 L.2700
22	RP11-2-02037	SOCKET HEAD CAP SCREW M5X14
23	RP11-4-133056	HANDLE SUPPORT
24	RP11-2-00633	CROSS PAN HEAD SCREW M4X16
25	RP11-4-406709	BLAST INLET
26	RP11-2-71524	NUT WITH POLYAMIDE RING M5
27	RP11-4211676	HOSE CLAMP D.22-31
28	RP11-4-407363	RUBBER HOSE 10BAR D22-30 L2300
29	RP11-3-90108	VALVE 3/2 NC P
30	RP11-2-02354	CROSS PAN HEAD SCREW M4X20
31	RP11-4-406704	COVER
32	RP11-2-00662	CROSS PAN HEAD SCREW M4X8
33	RP11-4-406707	SPRING
34	RP11-4-406705	CURSOR
35	RP11-2-00891	SOCKET HEAD CAP SCREW M5X10
36	RP11-4-135128	BLAST HOLDER
37	RP11-2-01989	SOCKET HEAD CAP SCREW M6X10
38	RP11-3-00847	TEE CONNECTOR T.8/C8
39	RP11-3010923	RILSAN HOSE D.8-6 L.800
40	RP11-3-00025	TEE CONNECTOR T.8

PNEUMATIC DIAGRAM



[RETURNS TO OVERALL](#)

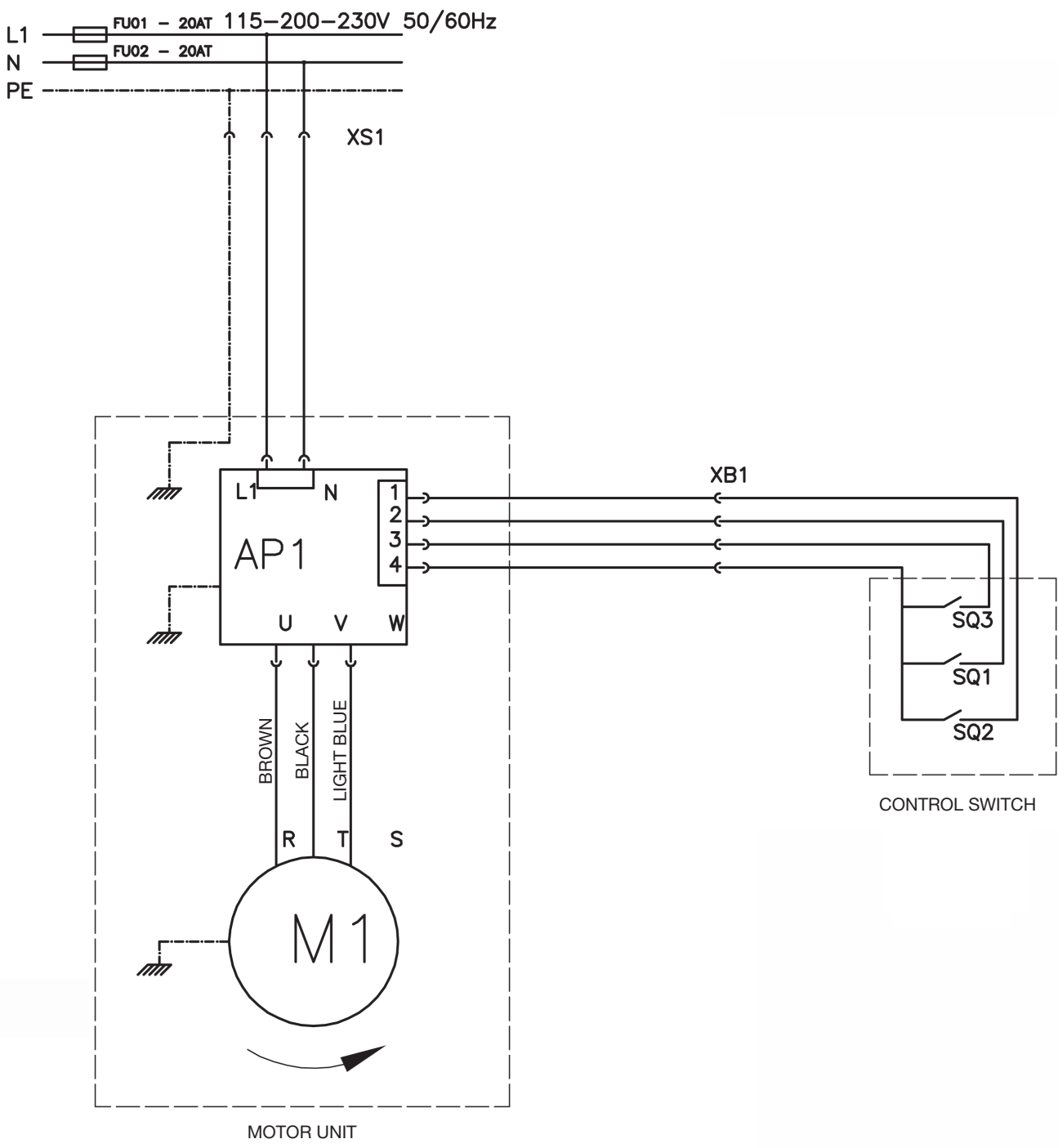
Index No.	Description
F	INFLATING SYSTEM (OPTIONAL SHEET 18)
1F	2/2 Pilot valve (Ref.15)
2F	2/2 Inflating valve (Ref.10)
3F	Control handle (Ref.20)
4F	Consent valve (Ref.29)
5F	Blast inlet (Ref.25)
6F	Air tank (Ref.1)
7F	Safety valve (Ref.2)
G	LIFTING TABLE (OPTIONAL, SHEET 17)
1G	3/2 Normally closed command valve (Ref.8)
2G	Cylinder command valve (Ref.53)
3G	Cylinder (Ref.34)



[RETURNS TO OVERALL](#)

Index No.	Description
A-B	BEAD-BREAKER AND DISK PENETRATION COMMAND
1A	3/2 Normally closed valve
2A	3/2 Valve
3A	Quick exhaust valve
4A	Penetration cylinder
5A	5/3 Normally closed valve
6A	Bead-breaker cylinder
C	BEAD-BREAKER RELEASE COMMAND
1C	Quick exhaust valve
2C	Upper release cylinder
3C	Quick exhaust valve
4C	3/2 Normally open valve
5C	Lower release cylinder
D	COLUMN COMMAND
1D	3/2 Valve
2D	Tilting column cylinder
E	TOOL COMMAND
1E	5/3 Valve
2E	Actuating tool cylinder
H	ARM LOCKING COMMAND
1H	5/3 Control handle valve
2H	Vertical arm locking cylinder
3H	Horizontal arm locking cylinder
I	INFLATION/DEFLATION DEVICE
1I	Inflating valve
2I	Clip-on air chuck
3I	Pressure gauge D.80
4I	Deflating valve
L	WATER SEPARATOR AND PRESSURE REGULATOR+LUBRICATOR
1L	Ball valve
2L	Water separator and pressure regulator
3L	Pressure gauge
4L	Lubricator
5L	Pressure regulator (set at 4.2 bar)
6L	Quick inflating valve

WIRE DIAGRAM



[RETURNS TO OVERALL](#)