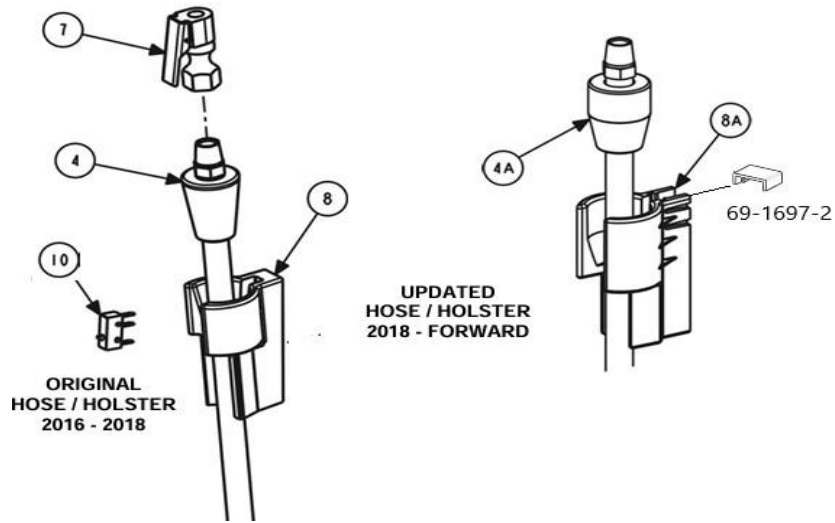


Part Description	Part Number
Air Chuck	145-341-2
Air Hose Components	See This Photo
Bead Roller Assy	111-154-3
Bushing ½ X 5/8 X 3/8 L	113-343-2
Bushing 1.5" Short Square Tube	113-386-2
Bushing 1.5" Square Tube	113-385-2
Hinge	160-83-PPP
Joystick Bellows Seal	124-193-2
Joystick Board	45-1873-1
Main Control Board	45-1817-1
Medium Clamping Cone	192-233-1
Mount/Demount Tool	221-810-2
Oil Filter	136-130-2
O-Ring 44.04 MM ID X 3.53 MM	124-257-3
Pump Reservoir Cap	53-220-2
Pusher Arm Cylinder Assy	140-141-1
Pusher Arm Handle Cover	69-1737-005
Pusher Arm Split Bearing	130-278-2
Pusher With Hook Foot	62-126-2
Shaft Bumper Cap	53-293-2
Slide Bearing Kit See Service Bulletin F-24-11	20-4103-1
Small Bore Speednut Cone	192-223-2
TC Wheel Clamp Cone	192-226-1
UHMW Slide Bearing	130-279-2
Valve 5/3 Toggle NC	108-297-2
Wheel Lift Cylinder Assy	140-142-1
Wheel Lift Pivot Pin	135-685-2
Wrist Rest Pad	64-195-2



Original Version 2016-2018

Index Number	Part Number	Description
4	137-149-1	HOSE ASSEMBLY, BALANCER TIRE FILL
7	145-341-2	FITTING, AIR CHUCK LOCK-ON OPEN
8	105-645-1	HOUSING, TC INFLATION HOLSTER
10	18-350-2	SWITCH, SUBMINIATURE LIMIT

Later Version 2018 And After

Index Number	Part Number	Description
4A	137-156-1	HOSE ASSEMBLY, BALANCER TIRE FILL (includes chuck and fittings)
7	145-341-2	FITTING, AIR CHUCK LOCK-ON OPEN
8A	105-721-1	HOUSING, TC INFLATION HOLSTER (includes switch and cap)
10	18-461-2	SWITCH, SUBMINIATURE LIMIT
	69-1697-2	CAP, HOLSTER CONNECTOR COVER
OR	105-727-1	Includes new holster assembly and hose assembly – 72" long

