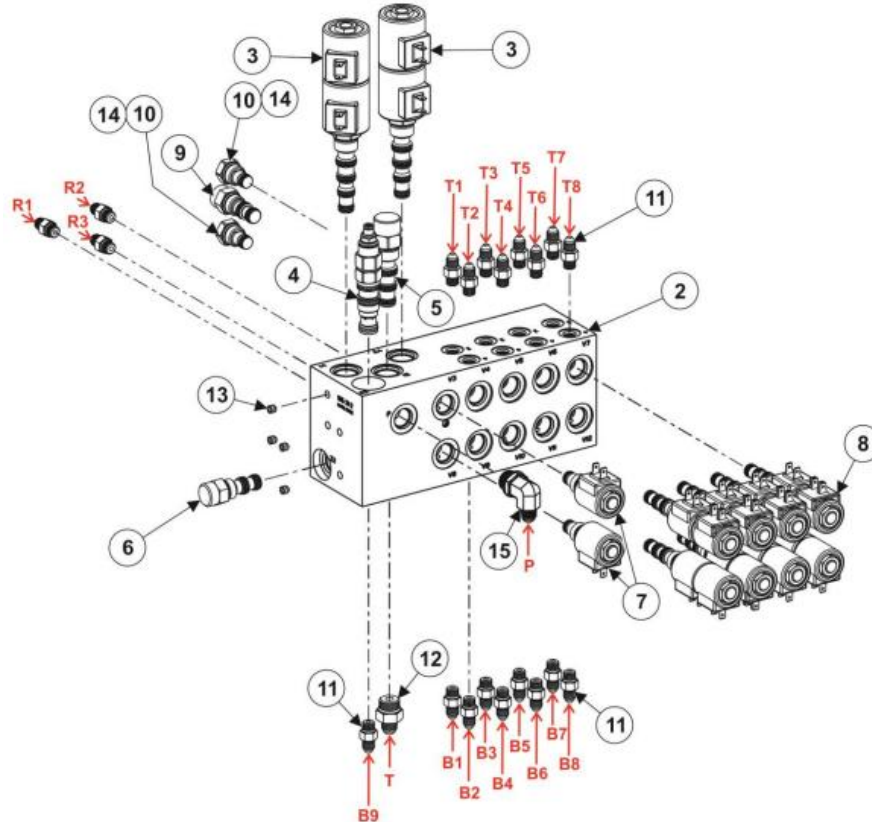


Part number	Description
<a href="#">TCX SERIES TIRE CHANGERS ACCESSORIES</a>	
<a href="#">Air blast valve update kit (bead blaster dump valve)</a>	20-3110-1
4x2.7mm Nylon - 16-450-2	Air tubing 10mm order by the foot. See <a href="#">service bulletin F-09-05</a> .
6x4mm Nylon - 16-937-2	
8x6 higher pressure Nylon - 16-936-2	
8x5 more flexible Polyurethane - 16-934-2	
10x8 higher pressure Nylon - 16-935-2	
10x6.5 more flexible Polyurethane - 16-933-2	
14x11 higher pressure Nylon - 16-965-2	
<b>Air Hose Components</b>	<a href="#">See This Photo</a>
<a href="#">129-257-2</a>	Hydraulic spindle motor
<b>The following potentiometers may all be serviced using <a href="#">20-3504-1</a>.</b>	
125-489-1	Mount head, upper and lower bead breaker horizontal position assembly (includes pot, cable, bracket and gear). Replaces 125-466-1.
125-490-1	Mount head, upper and lower bead breaker vertical position assembly (includes pot, cable, bracket and gear). Replaces 125-467-1.
125-491-1	Bead pusher vertical position assembly (includes pot, cable, bracket and gear). Replaces 125-468-1.
<b>The preceding potentiometers may all be serviced using <a href="#">20-3504-1</a>.</b>	
111-154-3	Bead breaker roller (upper / lower, includes bearing. Bearings not available.)
62-52-2	Bead pusher foot
111-134-2	Bead pusher roller
<b>Circuit boards:</b>	
20-3418-1	PCA-TC JOYSTICKS (includes joysticks, knobs and covers). Replaces original joystick board 45-1381-1. <a href="#">See instructions</a> .
146-61-1	PCA-TC JOYSTICKS (includes joysticks, knobs and covers). Replaces new joystick board 45-1621-1
45-1419-1	PCA-TC USB DAQ (45-1419-1-3 briefly replaced 45-1419-1. 45-1419-1-3 required V1.8.1.109 or higher required. See Service Bulletin <a href="#">F-22-02</a> . Single electronic key board introduced February 2023 and requires V1.9 or higher software per Service Bulletin <a href="#">F-23-07</a> .)
<b>45-1315-1</b>	<b>PCA-TC PUSHER CONTROL (Only used with Gen 1 board, 45-1483-1)</b>
<b>45-1483-1 (Gen 1)</b> <b>45-1877-1 (Gen 2)</b>	<b>PCA-TC POWER/OUTPUTS (See this <a href="#">FAQ</a> for details and Gen 1 upgrade kit, 20-4041-1)</b>
45-1307-1	PCA-TC ENCODER/TILT

Circuit boards:	
20-2895-1 (Contains 45-1785-2, 38-1222-2, and 38-1375-2)	PCA – MOTHERBOARD See this <a href="#">FAQ</a> for software and power supply requirements. Replaces 45-1395-1F, 45-1499-2, and 45-1545-2.
Pump Assemblies and Components:	
There are three pump manufacturers used for the 1PH motors. BOSCH utilizes a blue motor. Settima / Bonani has an aluminum housing with heat dissipation fins. Tecfluid has a motor that looks like the Settima / Bonani. Verify motor type by the manufacturer tags. Also ensure you select a 50Hz or 60Hz as required.	
<b>20-3035-1</b>	<b>Complete Pump and Reservoir (230 VAC, 1 PH, 50 HZ) Replaces 139-83-2</b>
129-263-2	Motor for 139-83-2 and 139-93-2 <b>BOSCH</b> or <b>Leeson</b> Motor
136-110-2	Pump oil filter (screw on) for 139-83-2 and 139-93-2 BOSCH Motor
139-84-2	Pump reservoir (plastic) for 139-83-2 and 139-93-2 BOSCH Motor
88-69-2	Start Capacitor for 139-83-2 and 139-93-2 BOSCH Motor
88-70-2	Run Capacitor for 139-83-2 and 139-93-2 BOSCH Motor
129-265-2	Motor for 139-83-2 and 139-93-2 <b>Settima / Bonani</b> Motor
136-113-2	Pump oil filter (screw on) for 139-83-2 and 139-93-2 Settima / Bonani Motor
139-84-2	Pump reservoir (plastic) for 139-83-2 and 139-93-2 Settima / Bonani Motor
88-73-2	Start Capacitor for 139-83-2 and 139-93-2 Settima / Bonani Motor
88-74-2	Run Capacitor for 139-83-2 and 139-93-2 Settima / Bonani Motor
<b>20-3035-1</b>	<b><i>Contains all motor components and mounting hardware for 1PH 50Hz models.</i></b>
<b>20-3034-1</b>	<b>Complete Pump and Reservoir (230 VAC, 1 PH, 60 Hz) Replaces 139-78-2</b>
129-262-2	Motor for 139-78-2 <b>BOSCH</b> or <b>Leeson</b> Motor
136-110-2	Pump oil filter (screw on) for 139-78-2 BOSCH Motor
139-82-2	Pump reservoir (plastic) for 139-78-2 BOSCH Motor
88-69-2	Start Capacitor for 139-78-2 BOSCH Motor
88-70-2	Run Capacitor for 139-78-2 BOSCH Motor
129-264-2	Motor for 139-78-2 <b>Settima / Bonani</b> Motor
136-110-2	Pump oil filter (screw on) for 139-78-2 Settima / Bonani Motor
139-84-2	Pump reservoir (plastic) for 139-78-2 Settima / Bonani Motor
88-71-2	Start Capacitor for 139-78-2 Settima / Bonani Motor
88-72-2	Run Capacitor for 139-78-2 Settima / Bonani Motor
129-275-2	Motor for 139-78-2 <b>Tecfluid</b> or <b>Voltaro</b> Motor
136-113-2	Pump oil filter (screw on) for 139-78-2 Tecfluid Motor

139-88-2	Pump reservoir (plastic) for 139-78-2 Tecfluid Motor
<a href="#">20-4134-1</a>	<b>Start Capacitor for 139-78-2 Tecfluid Motor (replaces 88-75-2)</b>
88-76-2	Run Capacitor for 139-78-2 Tecfluid Motor
<a href="#">20-3034-1</a>	<i>Contains all motor components and mounting hardware for 1PH 60Hz models.</i>
<b>There is one manufacturer used for the 3PH motors. Settima / Bonani has an aluminum housing with heat dissipation fins.</b>	
<b>20-3166-1</b>	<b>Complete Pump and Reservoir (230/400 VAC, 3 PH, 50 Hz) Replaces 139-87-2</b>
129-267-2	Motor for 139-87-2 and 139-93-2
136-113-2	Pump oil filter (screw on) for 139-87-2 and 139-93-2
139-84-2	Pump reservoir (plastic) for 139-78-2 and 139-93-2
<b>Miscellaneous:</b>	
<a href="#">20-3592-2</a>	Settima / Bonani Reservoir Retaining Clips And Screws (139-78-2, 139-83-2, and 139-87-2)
53-220-2	Settima / Bonani Reservoir Breather Cap (139-78-2, 139-83-2, and 139-87-2)
20-3715-1	Hydraulic Field Replacement Spindle Assembly for TCR1, TCR1S, and TCR1X
12-275-1	Field Replacement Spindle Assembly for TCRH
20-3874-1	Hydraulic spindle cylinder kit for internal leaks. See Service Bulletin <a href="#">F-22-01</a> .
233-373-1	Power supply (150 watt) Serial numbers GE and higher
20-3744-1	Power supply (150 watt) Serial numbers FE and lower
192-226-1	CONE-TC Wheel Clamp (includes wire retainer)
192-223-2	CONE-Small
192-233-1	CONE-Medium
RP11-2403447	Flange plate threaded studs (includes stud and triangle plate)
33-138-2	FUSE - 250 V, 20A
20-3606-1	Foot pedal rotate potentiometer kit (includes pot, bracket, nut, washer, and cable)
20-3607-1	Foot pedal tilt potentiometer kit (includes pot, bracket, nut, washer, and cable)
227-109-2	LCD monitor See Service Bulletin <a href="#">F-17-14</a>
125-487-1	Piezo transducer (1 on each roller arm, <a href="#">see this FAQ</a> )
20-3014-1	Piezo mounting upgrade kit, <a href="#">see this video</a>
221-713-2	Tool - mount head plastic outer
221-718-2	Tool - mount head insert
111-134-2	Tool - bead pusher roller
62-52-2	Tool - bead pusher foot
111-154-3	Bead roller with bearing
75-758-2	Screws - tool head mount (SBHCS 1/4-20 X .63 BO)
18-350-2	Switch on inflation hose cradle
45-1645-1	Tire pressure transducer See this <a href="#">FAQ</a>
20-2987-1	TCR software kit (includes both USB drives for version 1.x software)

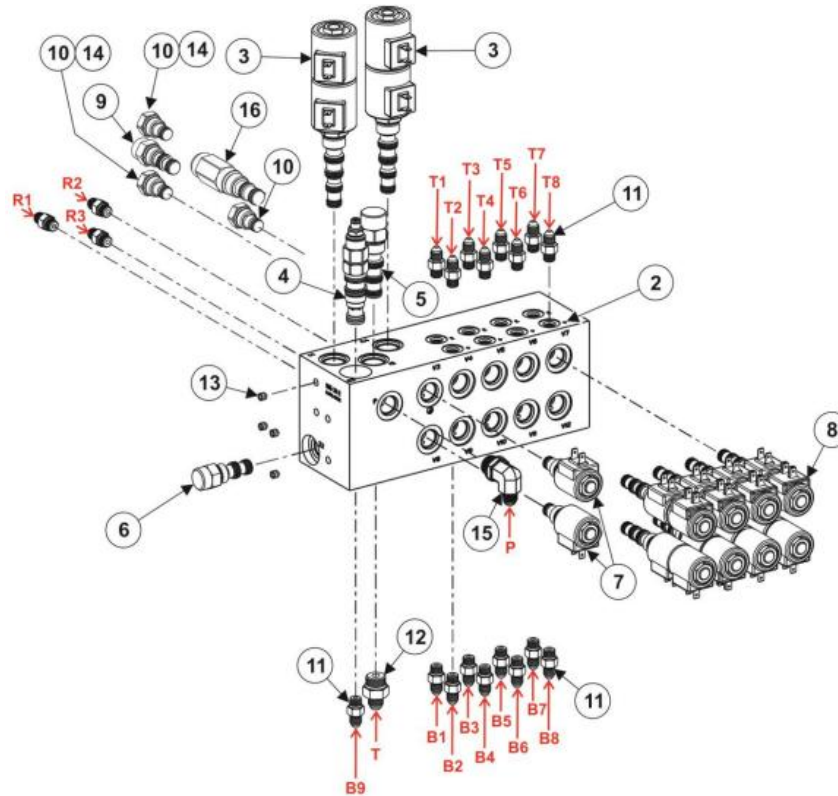
169-171-2	.010 / .254 mm clear shim for arm bushings
169-172-2	.015 / .381 mm black shim for arm bushings



Index No.	Part Number	Description	Qty.
1	108-270-3	VALVE - ASSEMBLY TIRE CHANGER MANIFOLD (Consisting of:)	1
2	185-31-2	MANIFOLD - HYDRAULIC (Not Available)	1
3*	108-273-2*	VALVE - PROP 5 WAY 3 POSITION (integrated diode coils)	2
4	108-250-2	VALVE - COUNTERBALANCE	1
5	108-214-2	VALVE - PRESSURE COMPENSATOR	1
6	108-215-2	VALVE - LOAD SHUTTLE	1
7*	108-271-2*	VALVE - PROP 2 WAY NORMALLY-CLOSED (integrated diode coils)	2
8*	108-272-2*	VALVE - DIRECTIONAL 4 WAY 3 POSITION CC* (integrated diode coils)	8
9	108-253-2	VALVE - LOGIC ELEMENT	1
10	108-219-2	VALVE - CHECK	2
11	145-428-2	FITTING - SAE 37 DEGREE STRAIGHT	20
12	145-458-2	FITTING - 6-8 SAE STRAIGHT THREAD CONNECTOR	1
13	145-336-2	FITTING - EXPANSION PLUG (Not Field Serviceable)	16
14	108-221-2	VALVE - ORIFICE DISK	2
15	145-471-2	FITTING - 6-8 SAE 90 DEGREE ELBOW	1
16	Replacement Kit	HYD. POWER UNIT (See Sheet 21)	Ref.
17	148-128-2	FLUID - DEXRON III 5 GALLON BUCKET	1
18	145-471-2	FITTING - 6-8 SAE 90 DEGREE ELBOW	2
19	21-937-2	CONNECTOR - WIRE NUT	2
20	38-1273-1	CABLE ASSEMBLY - HYDRAULIC VALVE CONTROL (No diodes in wiring)	Ref.
21	38-1271-1	CABLE ASSEMBLY - DAQ TO PROP VALVES (No diodes in wiring)	Ref.

\* Replacement valves without solenoid coil are available for order by service reps to replace valves with debris issues. Replacement coils are also available.

- For 108-273-2 (Item 3), the valve only replacement part is 108-244-2 and coil only replacement part is 50-108-2.
- For 108-271-2 (Item 7), the valve only replacement part is 108-245-2 and coil only replacement part is 50-107-2.
- For 108-272-2 (Item 8), the valve only replacement part is 108-259-2 and coil only replacement part is 50-107-2.



Index No.	Part Number	Description	Qty.
1	108-285-3*	VALVE ASSEMBLY TCR (Consisting of:)	1
2	185-48-2	MANIFOLD - TCR HYDRAULIC (Not Available)	1
3*	108-273-2**	VALVE - PROP 5 WAY 3 POSITION	2
4	108-250-2	VALVE - COUNTERBALANCE	1
5	108-214-2	VALVE - PRESSURE COMPENSATOR	1
6	108-215-2	VALVE - LOAD SHUTTLE	1
7*	108-271-2**	VALVE - PROP 2 WAY NORMALLY-CLOSED	2
8*	108-272-2**	VALVE - DIRECTIONAL 4 WAY 3 POSITION CC*	8
9	108-253-2	VALVE - LOGIC ELEMENT	1
10	108-219-2	VALVE - CHECK	3
11	145-428-2	FITTING - SAE 37 DEGREE STRAIGHT	20
12	145-458-2	FITTING - 6-8 SAE STRAIGHT THREAD CONNECTOR	1
13	145-336-2	FITTING - EXPANSION PLUG (Not Field Serviceable)	23
14	108-221-2	VALVE - ORIFICE DISK	2
15	145-471-2	FITTING - 6-8 SAE 90 DEGREE ELBOW	1
16	108-284-2	VALVE - PRESSURE REDUCING	1
17	148-128-2	FLUID - DEXRON III 5 GALLON BUCKET	1
18	145-471-2	FITTING - 6-8 SAE 90 DEGREE ELBOW	2
19	21-937-2	CONNECTOR - WIRE NUT	2
20	38-1273-1	CABLE ASSEMBLY - HYDRAULIC VALVE CONTROL	Ref.
21	38-1271-1	CABLE ASSEMBLY - DAQ TO PROP VALVES	Ref.
22	Replacement Kit	HYD. POWER UNIT (See Sheet 21)	Ref.

\* Early TCR1X units shipped with manifold 108-270-3 and Kit 20-3439-1. See Sheet 10 for components of Kit 20-3439-1. Components of manifold 108-270-3 can be found in TCR1S Parts Drawing, Form 11-49.

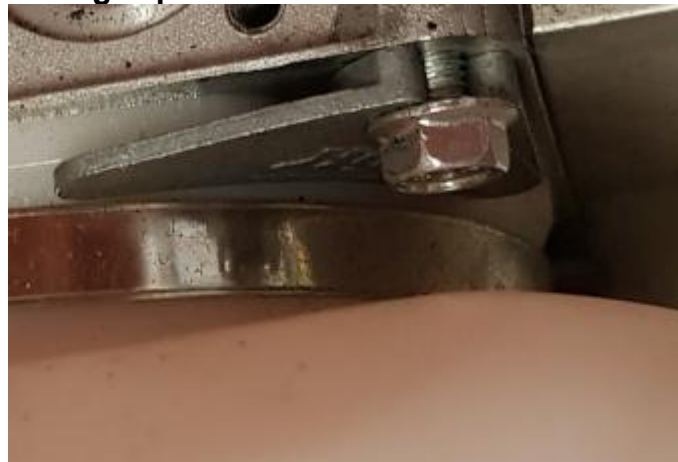
\*\* Replacement valves without solenoid coil are available for order by service reps to replace valves with debris issues. Replacement coils are also available.

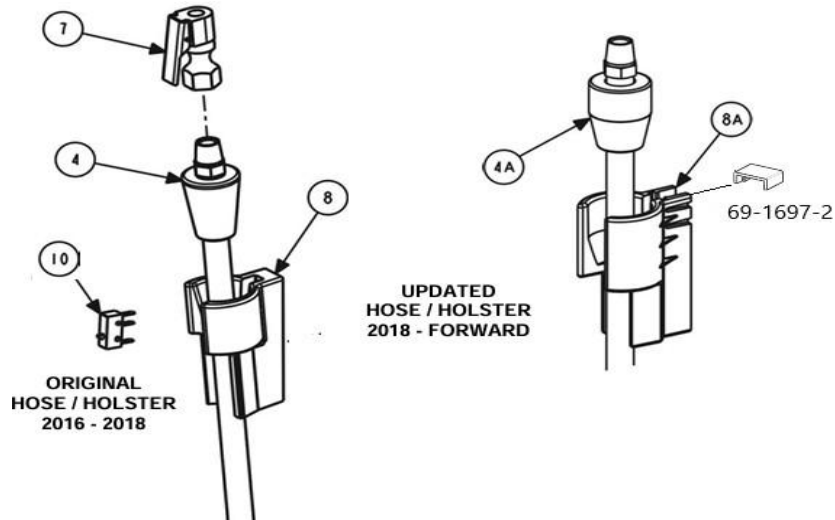
- For 108-273-2 (item 3), the valve only replacement part is 108-244-2 and coil only replacement part is 50-108-2.
- For 108-271-2 (item 7), the valve only replacement part is 108-245-2 and coil only replacement part is 50-107-2.
- For 108-272-2 (item 8), the valve only replacement part is 108-259-2 and coil only replacement part is 50-107-2.

129-257-2 Hydraulic Spindle Motor. Either shown below is correct.



Reservoir retaining clips and screws for Settima / Bonani power units





### Original Version 2016-2018

Index Number	Part Number	Description
4	137-149-1	HOSE ASSEMBLY, BALANCER TIRE FILL
7	145-341-2	FITTING, AIR CHUCK LOCK-ON OPEN
8	105-645-1	HOUSING, TC INFLATION HOLSTER
10	18-350-2	SWITCH, SUBMINIATURE LIMIT

### Later Version 2018 And After

Index Number	Part Number	Description
4A	137-156-1	HOSE ASSEMBLY, BALANCER TIRE FILL (includes chuck and fittings)
7	145-341-2	FITTING, AIR CHUCK LOCK-ON OPEN
8A	105-721-1	HOUSING, TC INFLATION HOLSTER (includes switch and cap)
10	18-461-2	SWITCH, SUBMINIATURE LIMIT
	69-1697-2	CAP, HOLSTER CONNECTOR COVER
OR	105-727-1	Includes new holster assembly and hose assembly – 72" long

