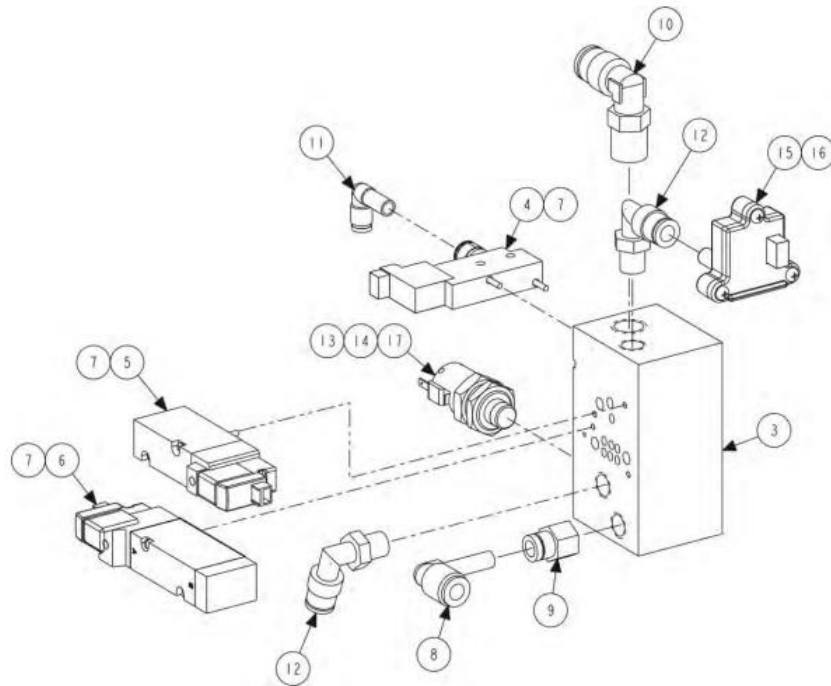


Part Description	Part Number
Complete Parts List	Form 12-30
Balancer accessories	Form BB03203-00
USB Program and Data Drives (For RFE, SWP and SWT)	20-3890-1
Air regulator	136-78-2
Audio amp	45-1695-1
Belt	126-50-2
Inner Camera, replaces 125-492-** and 125-495-** variants, V6.2 or higher required	125-492-1-2
Outer Camera, replaces 125-493-** variants V6.2 or higher required	125-493-1-2
SmartSpot Inner Camera, replaces 125-523-1-2 (see this FAQ for more info)	125-523-1
DC motor (Motor Brush and Spring 129-268-2. Single piece.)	129-270-1
DC motor drive – 8 amp	20-3774-1
DC motor pulley	107-133-2
DAQ board (45-1513-1 was replaced with 45-1719-1 which was later replaced with 45-1719-1-3. As of August 2022, order the 20-4034-1. 20-4034-1 includes single key DAQ 45-1847-1 and updated power cable 37-819-1.) Single electronic keyboard introduced February 2023. Requires V6.0 or higher software per Service Bulletin B-23-05 .)	20-4034-1
Force transducer (replaces 109-155-1)	109-187-1
Hood stop and hood reinforcement kit	20-3444-1
Hood switch (with harness)	18-497-1
Inflation hose assembly (hose, bulkhead fitting and air chuck)	137-149-1
Motherboard	See this FAQ
Lateral Force transducer	109-100-1
Load roller sensor	125-395-3
Power switch (on balancer neck)	18-565-2
Power switch outer housing	105-639-2
Power switch inner housing	105-640-2
Power supply (150 watt) Serial numbers GE and higher	232-373-2
Power supply (150 watt) Serial numbers FE and lower	20-3744-1
Pressure sensor	125-465-1 is replaced with 45-1645-1
Pressure switch kit	20-3429-1
Pressure switch – 65 lbs	18-600-2
SpeedClamp cylinder (Replaces 20-3176-1)	20-4006-1
Spindle encoder board	45-1531-1

Spindle encoder cable	38-1265-1
Switch – spindle lock	18-454-2
Touch screen (See Service Bulletin B-17-04)	227-105-2 OR 227-109-2
Wheel light board	45-1403-1
Standard wingnut bearing and washer kit	130-250-3
Thread Repair Kit for 76-574-2 Pro Grip Quick Nut	20-3417-2
Handle Repair Kit for 76-574-2 Pro Grip Quick Nut	20-3519-2
Repair Kit for 76-438-2 Pro Grip Quick Nut	20-2137-2

Pneumatic valve details.



Index No.	Part Number	Description	Qty.
	108-274-1	PNEUMATIC ASSEMBLY, BALANCER, HIGH-FLOW (Consisting Of:)	1
3	185-42-2	MANIFOLD, PNEUMATIC, HIGH-FLOW (Not Available)	1
4	108-195-2	VALVE, 3 PORT MANIFOLD MT.	1
5	108-260-2	VALVE, PNEUMATIC SOLENOID	1
6	108-276-2	VALVE, 5 PORT MANIFOLD MT	1
7	38-1094-1	CABLE, MANIFOLD ASSEMBLY	3
8	145-357-2	FITTING, 1/4 PLUG-IN ELBOW	1
9	145-281-2	FITTING, 1/4 HOSE X 1/8 NPT	1
10	145-183-2	FITTING, 1/4IN NPT ELBOW SWIVEL	1
11	145-467-2	FITTING, 1/4 TO 5/32 PLUG-IN ELBOW	1
12	145-324-2	FITTING, 1/8NPT TO 1/4 TUBE 90	2
13	18-600-2	SWITCH, PRESSURE- 65 PSI	1
14	38-1164-1	CABLE ASSEMBLY, DAQ TO INFLATION PRESS SW	1
15	125-465-1	SENSOR, PRESSURE	1
16	38-1202-1	CABLE ASSEMBLY, TC PRESSURE/TEMPATURE SENSOR	1
17	Field Purchase	LOCTITE #545 THREAD SEALANT	A/R

Item 15 replaced with 45-1645-1. See this [FAQ](#).

76-438-2



76-574-2

