

ALIGNMENT TARGETS

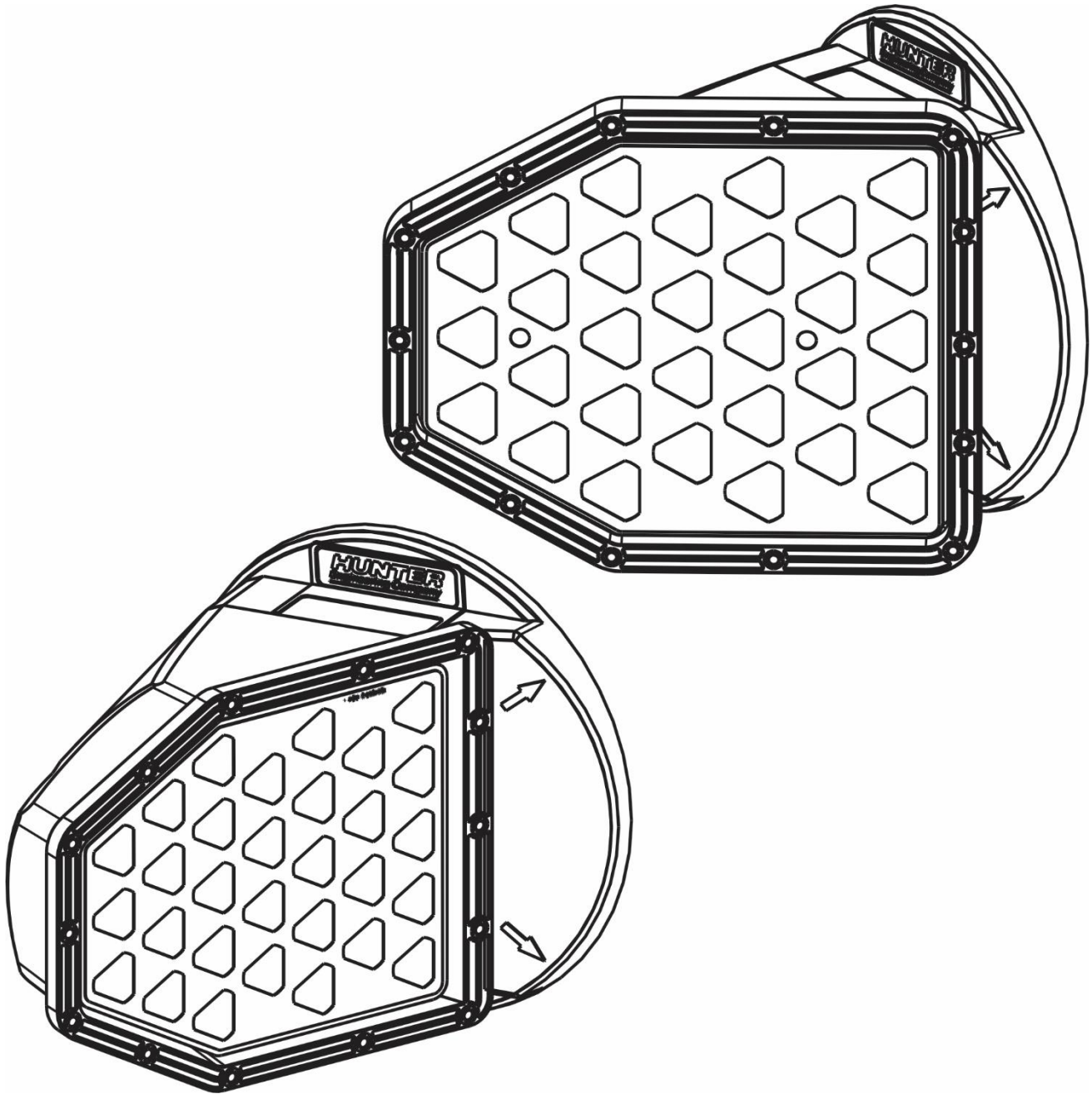
HS222 AND HS223

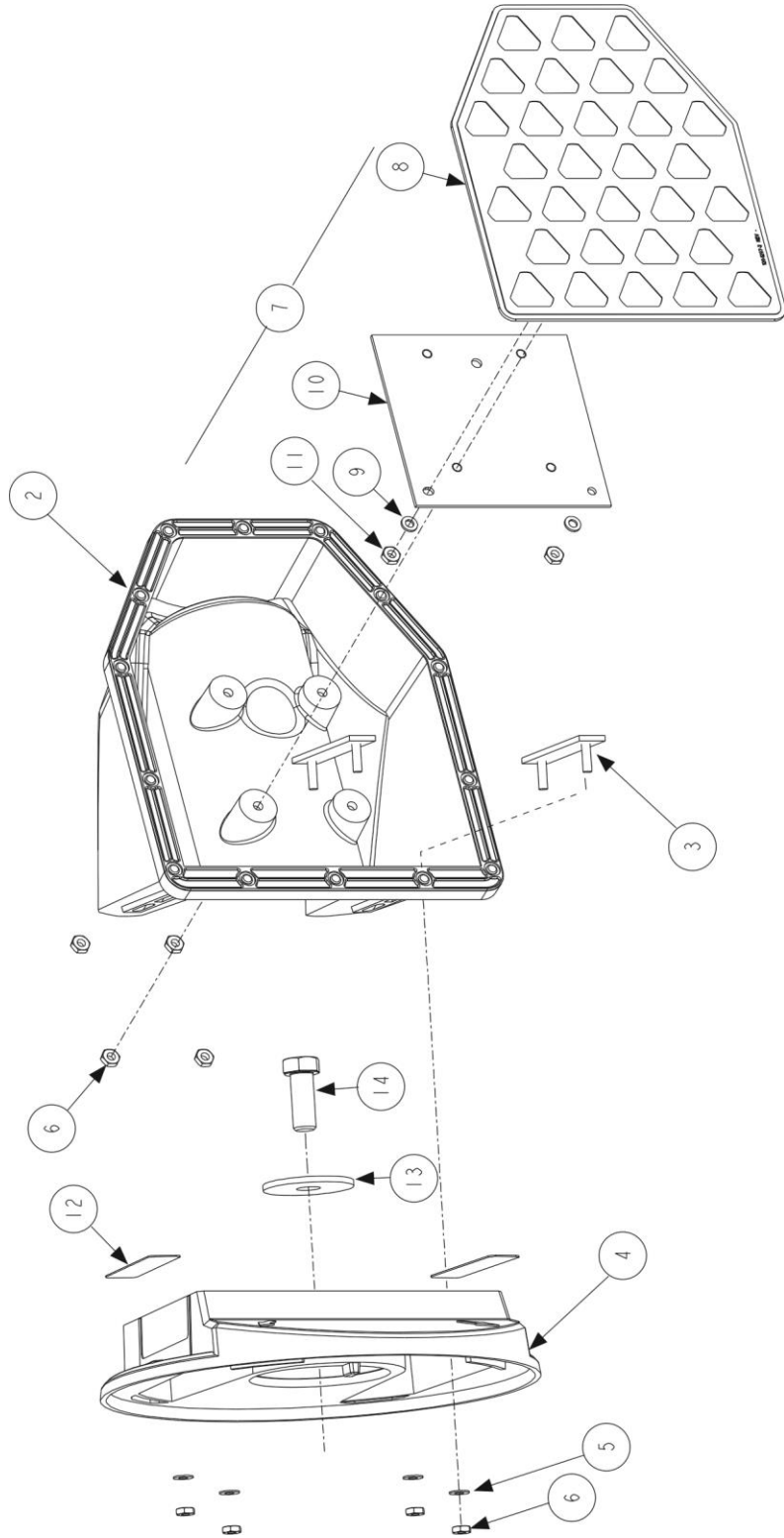
HUNTER
Engineering Company

PARTS DRAWING



Form AD08326-05, 12-24
Supersedes 4-184e, 04-18
Sheet 1 of 2





HS222 AND HS223 TARGETS

REFER TO NEXT SHEET FOR PARTS DESCRIPTION LISTING

ALL FOUR HS222 TARGETS / FRONT TWO HS223 TARGETS (Shown)

Index No.	Part Number	Description	Qty.
1	214-165-1	TARGET ASSEMBLY - PA200 QUICK GENERIC	4 / 2
2	105-702-2	HOUSING - PA200 TARGET	1
3	57-942-1	BAR ASSEMBLY - STUD PA200 TARGET	2
4	72-643-2	BASE - PA200 TARGET	1
5	77-27-2	WASHER - FLAT 10	4
6	76-263-2	NUT - LOCK 10-32 NYLON INSERT	8
7	214-159-1	TARGET ASSEMBLY - PLATE PA200	1
8	214-144-1	TARGET ASSEMBLY - FRONT	1
9	77-276-2	WASHER - SPRING CURVED #10	3
10	51-3073-1	PLATE ASSEMBLY - TARGET BACK PA200	1
11	76-263-2	NUT - LOCK 10-32 NYLON INSERT	3
12	128-1299-2	DECAL - HUNTER LOGO	2
13	77-249-2	WASHER - FENDER .53 X 2.0 X .13 INCH	4
14	74-11-2	HEX HEAD CAP SCREW 1/2-13 X 1.25 INCH GRADE 5 FULL-THD	4

REAR TWO HS223 TARGETS (Slightly larger target than shown – below items 2, 7 and 10 are unique)

Index No.	Part Number	Description	Qty.
1	214-222-1	TARGET ASSEMBLY - PA200 REAR	2
2	105-881-2	HOUSING – REAR TARGET PA200	1
3	57-942-1	BAR ASSEMBLY - STUD PA200 TARGET	2
4	72-643-2	BASE - PA200 TARGET	1
5	77-27-2	WASHER - FLAT 10	4
6	76-263-2	NUT - LOCK 10-32 NYLON INSERT	8
7	214-223-1	TARGET ASSEMBLY - PLATE PA200 REAR	1
8	214-145-1	TARGET ASSEMBLY - REAR	1
9	77-276-2	WASHER - SPRING CURVED #10	3
10	51-3471-1	PLATE ASSEMBLY - TARGET REAR PA200	1
11	76-263-2	NUT - LOCK 10-32 NYLON INSERT	3
12	128-1299-2	DECAL - HUNTER LOGO	2
13	77-249-2	WASHER - FENDER .53 X 2.0 X .13 INCH	4
14	74-11-2	HEX HEAD CAP SCREW 1/2-13 X 1.25 INCH GRADE 5 FULL-THD	4

PLACEMENT DECALS

Index No.	Part Number	Description	Qty.
15	20-3469-1	KIT - PA200 TARGET LABELS	1
16	128-1352-2	DECAL - TARGET POSITION LEFT FRONT	1
17	128-1353-2	DECAL - TARGET POSITION RIGHT FRONT	1
18	128-1354-2	DECAL - TARGET POSITION LEFT REAR	1
19	128-1355-2	DECAL - TARGET POSITION RIGHT REAR	1

