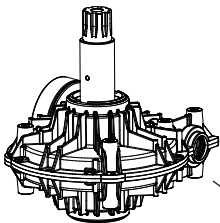
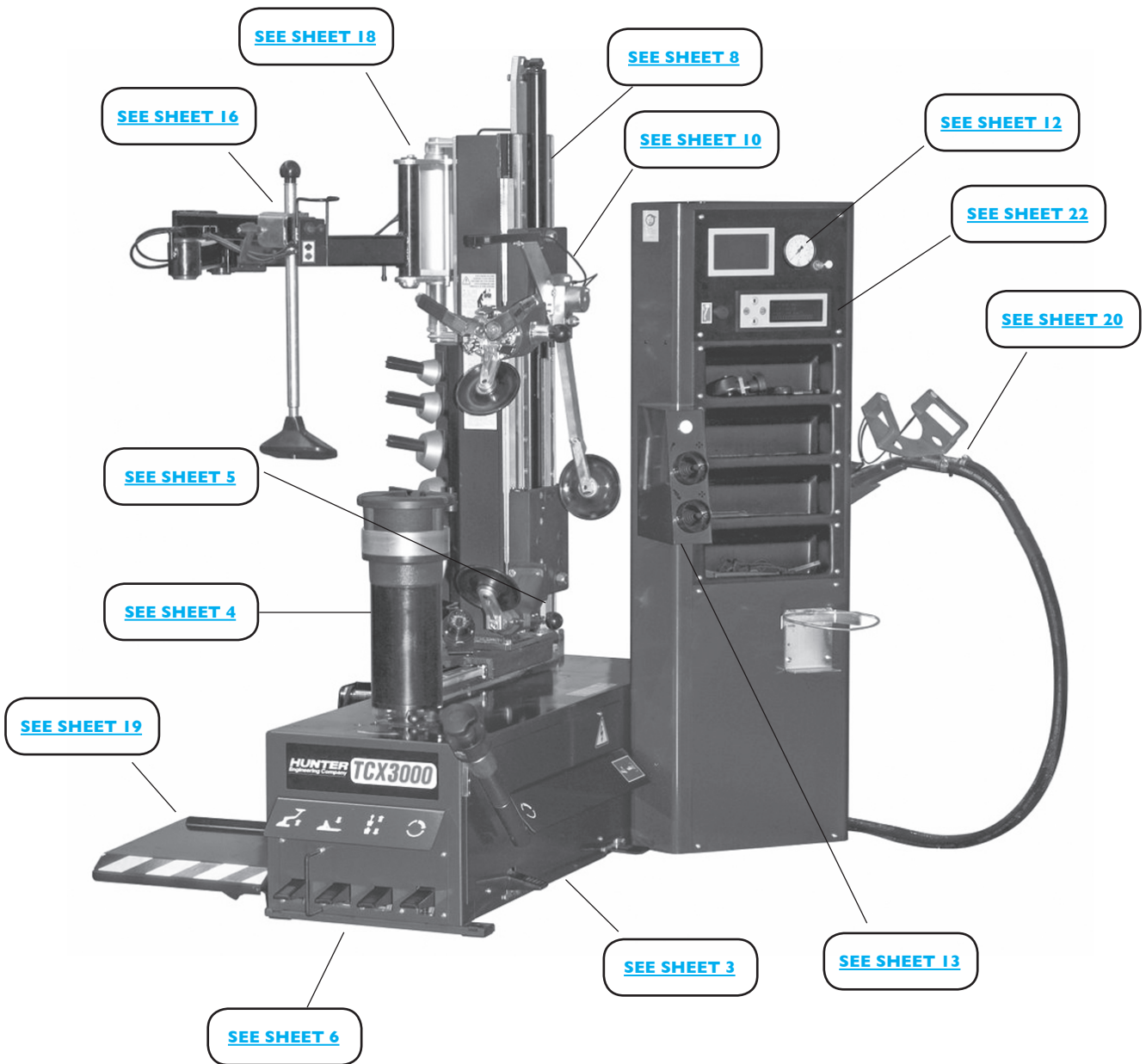


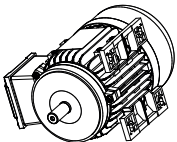
## **TCX3000 Tire Changer**

©2020 Hunter Engineering Company

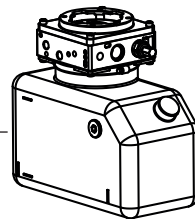
# OVERALL



SEE SHEET 7



SEE SHEET 14



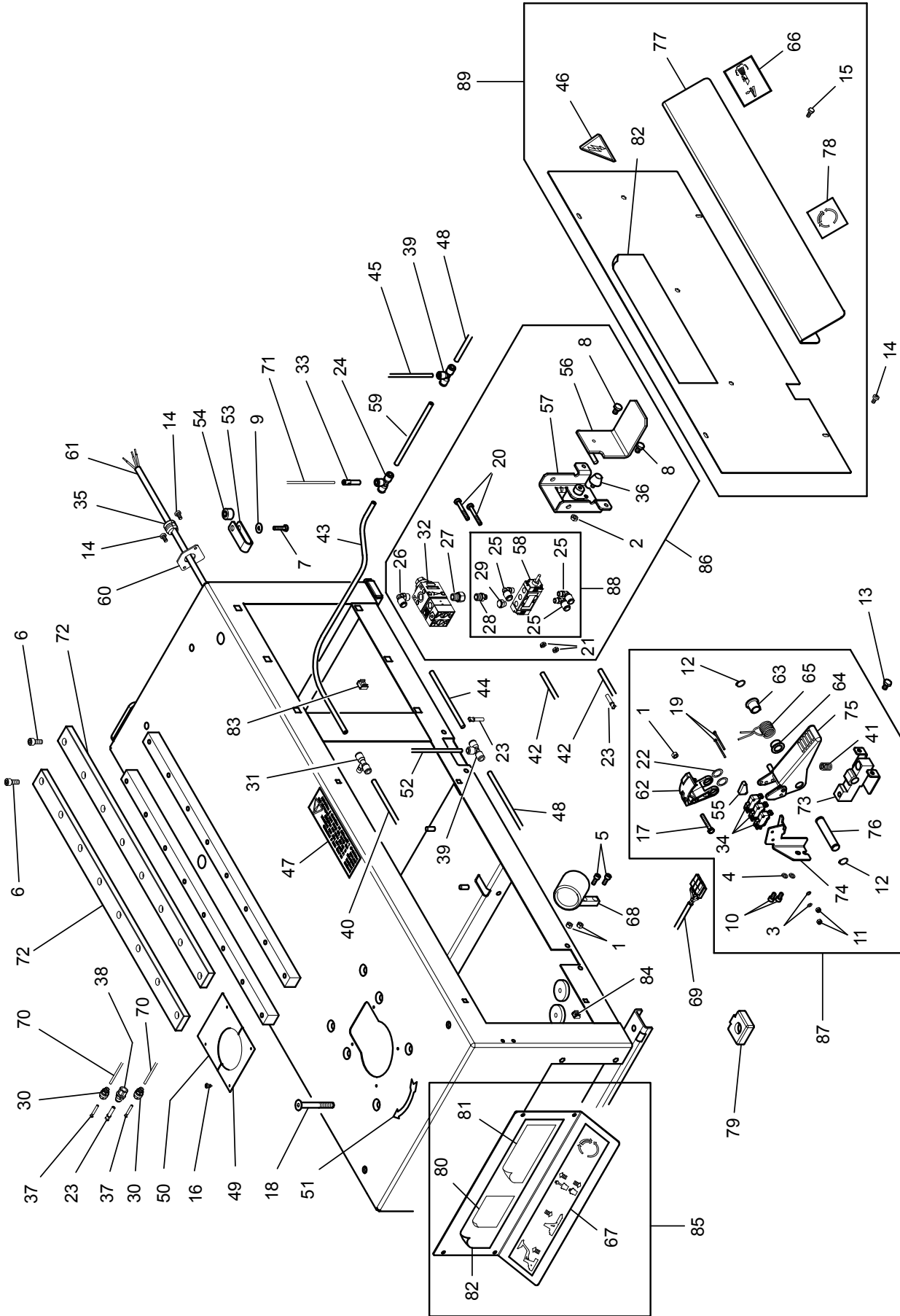
## TCX3000 Tire Changer

REFER TO NEXT SHEET FOR PARTS DESCRIPTION LISTING

## Contents

OVERALL .....	2
FRAME .....	3
LOCKING DEVICE .....	4
HORIZONTAL CYLINDER .....	5
PEDALS SYSTEM .....	6
GEARMOTOR .....	7
VERTICAL COLUMN .....	8
VERTICAL COLUMN .....	9
VERTICAL CARRIAGE.....	10
VERTICAL CARRIAGE.....	11
INFLATOR BOX.....	12
ELECTRIC BOX.....	13
HYDRAULIC POWER UNIT .....	14
HYDRAULIC POWER UNIT .....	15
BP.....	16
BP.....	17
BP CYLINDER.....	18
WHEEL LIFTER .....	19
TUBELESS INFLATING UNIT .....	20
TUBELESS INFLATING UNIT .....	21
TPM .....	22
PNEUMATIC DIAGRAM.....	23
HYDRAULIC DIAGRAM.....	24
WIRE DIAGRAM .....	25

# FRAME

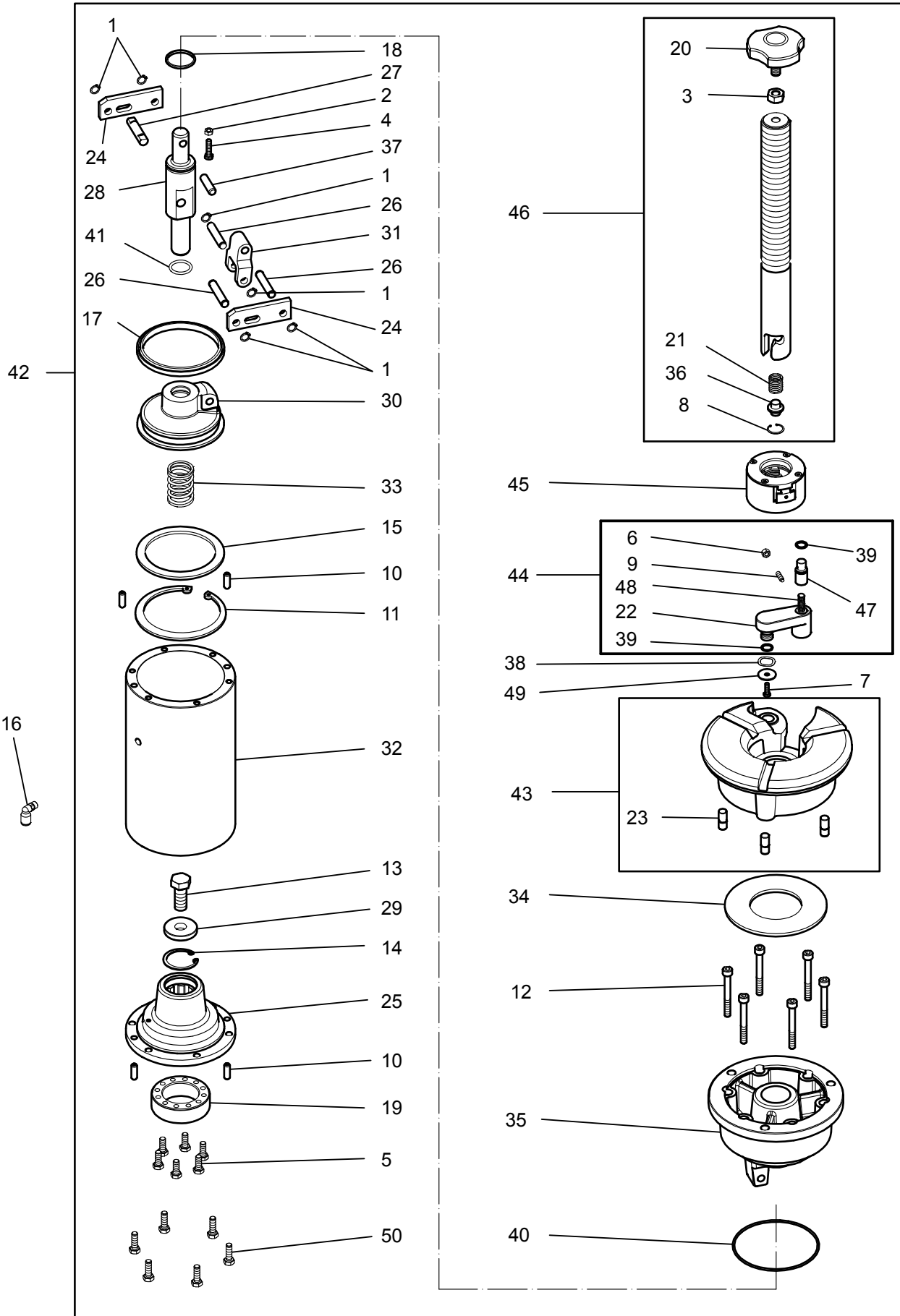


[RETURNS TO OVERALL](#)

Index No.	Part Number	Description
1	RP11-2-00111	HIGH NUT M6
2	RP11-2-00155	LOW NUT M6
3	RP11-2-00208	WASHER FOR HEX CAP SCREW M3
4	RP11-2-00211	WASHER FOR HEX CAP SCREW M6
5	RP11-2-00309	SOCKET HEAD CAP SCREW M6X16
6	RP11-2-00320	SOCKET HEAD CAP SCREW M8X20
7	RP11-2-00364	HEXAGON HEAD CAP SCREW M6X30
8	RP11-2-00371	HEXAGON HEAD CAP SCREW M8X10
9	RP11-2-00679	WASHER D.6X18X1,5
10	RP11-2-00715	SOCKET HEAD CAP SCREW M6X12
11	RP11-2-01017	NUT WITH POLYAMIDE RING M3
12	RP11-2-01122	RETAINING RING FOR SHAFT D.15
13	RP11-2-01267	HEXAGON HEAD CAP SCREW M8X12
14	RP11-2-02755	CROSS PAN HEAD SCREW M6X12
15	RP11-2-02761	HEXAGON HEAD CAP SCREW M6X14
16	RP11-2-02764	SELF-TAPPING SCREW D.3.5X13
17	RP11-2-02811	HEXAGON HEAD CAP SCREW M6X40
18	RP11-2-02974	SOCKET COUNTERSUNK SCREWM10X80
19	RP11-2-03355	SOCKET HEAD CAP SCREW M3X45
20	RP11-2-71381	HEXAGON HEAD CAP SCREW M4X30
21	RP11-2-71516	LOW NUT M4
22	RP11-2-94108	WASHER D.16X22X1
23	RP11-3-00018	CAP D.6
24	RP11-3-00025	TEE CONNECTOR T.8
25	RP11-3-00059	ORIENTING ELBOW FITTING 1/8 T8
26	RP11-3-00060	ORIENTING ELBOW FITTING 1/4 T8
27	RP11-3-00082	REDUCER G1/4 M-F
28	RP11-3-00135	REDUCING NIPPLE G1/8-G1/4
29	RP11-3-00181	SILENCER G.1/8
30	RP11-3-00215	QUICK UNION 4-2
31	RP11-3-00292	TEE MALE ADAPTOR G1/8" 8-6
<b>32</b>	<b>RP11-3-00389</b>	<b>QUICK INFLATING VALVE G1/4</b>
33	RP11-3-01177	QUICK UNION D.8 T.4-2
<b>34</b>	<b>RP11-3-01451</b>	<b>MICROSWITCH</b>
35	RP11-3-01908	CABLE HOLDER
36	RP11-3-02148	SHOCK ABSORBER D. 23X16 M 6X12
37	RP11-3-02319	CAP D.4
38	RP11-3-02320	QUICK UNION T.4-2
39	RP11-3-02563	TEE CONNECTOR T8 T6
40	RP11-3005167	RILSAN HOSE D.8-6 L.1100
41	RP11-3005803	HELICAL COMPRESSION SPRING
42	RP11-3009007	RILSAN HOSE D.8-6 L.1300
43	RP11-3009687	RILSAN HOSE D.8-6 L.100
44	RP11-3010923	RILSAN HOSE D.8-6 L.800
45	RP11-3011188	RILSAN HOSE D.6-4 L.1800
46	RP11-3014056	WARNING TENSION LABEL
47	RP11-3014095	"DANGER" LABEL
48	RP11-3015501	RILSAN HOSE D.8-6 L.600
49	RP11-3020173	FRONT PROTECTION PLATE
50	RP11-3020174	REAR PROTECTION PLATE

Index No.	Part Number	Description
51	RP11-3020842	SENSE OF ROTATION ARROW
52	RP11-3093959	RILSAN HOSE D.6-4 L. 800
53	RP11-4-401385	BEAD BREAKER HOSE GUIDE
54	RP11-4-401398	SPACER
55	RP11-4-401717	SPACER FOR MICROSWITCH SUPPORT
56	RP11-4-401720	PEDAL
57	RP11-4-401726	PEDAL SUPPORT WITH STOP
<b>58</b>	<b>RP11-4-401730</b>	<b>INFLATING VALVE</b>
59	RP11-4-402453	RILSAN HOSE D.8-6 L.190
60	RP11-4-403072	CABLE HOLDER PLATE
61A	RP11-4-403399	FEEDING CABLE WITH FILTER (UP TO MAY 2012)
61B	RP11-4-109893	FEEDING CABLE (FROM JUNE 2012)
62	RP11-4-403658	MICROSWITCHES DRIVE CAM
63	RP11-4-403702	SPRING BUSH H.18
64	RP11-4-403703	SPRING BUSH H.13
65	RP11-4-403791	HELICAL TORSION SPRING
66	RP11-4-404331	DECAL, GP PEDAL
67A	RP11-4-404332	DECAL, 2 SPEED PEDALS (WHITE)
67B	RP11-4-404328	DECAL, 2 SPEED PEDALS (BLACK)
67C	RP11-4-405980	DECAL, 2 SPEED PEDALS (SILVER)
68	RP11-4-404386	THREADED HUB SUPPORT
69	RP11-4-404582	MICROSWITCH CABLE
70	RP11-4-404930	RILSAN HOSE D.4-2 L.1000
71	RP11-4-404931	RILSAN HOSE D.4-2 L.1500
72	RP11-4-405368	CARRIAGE GUIDE
73	RP11-4-405387	PEDAL SUPPORT
74	RP11-4-405388	MICROSWITCH SUPPORT
75	RP11-4-405389	LEFT MICROSWITCH PEDAL
76	RP11-4-405415	PEDAL PIN
77A	RP11-4-405603	PEDAL PROTECTION (RED)
77B	RP11-4-406243	PEDAL PROTECTION (GREY 7016)
77C	RP11-4-406404	PEDAL PROTECTION (GREY 7040)
78A	RP11-4-405790	DECAL, 2 SPEED PEDAL (WHITE)
78B	RP11-4-405789	DECAL, 2 SPEED PEDAL (BLACK)
78C	RP11-4-406246	DECAL, 2 SPEED PEDAL (SILVER)
79	RP11-4-406032	RUBBER FOOT H.25
80	RP11-4-406981	DECAL, VAG
81	RP11-4-407411	DECAL, VAS 6645
82	RP11-4-407412	DECAL, HUNTER TCX3000
83	RP11-4300573	SQUARE CAGED NUT M8 1.7-3
84	RP11-4300575	SQUARE CAGED NUT M6
85A	RP11-5-121362	PEDAL COVER (RED)
85B	RP11-5-121363	PEDAL COVER (GREY 7040)
85C	RP11-5-121364	PEDAL COVER (GREY 7016)
86	RP11-5-400436	INFLATING DEVICE PEDAL
87	RP11-5-401508	COMPL. PEDAL WITH MICROSWITCH
88	RP11-5-490746	COMPLETE INFLATING VALVE
89A	RP11-5-491010	SIDE PANEL (RED)
89B	RP11-5-121359	SIDE PANEL (GREY 7040)
89C	RP11-5-121361	SIDE PANEL (GREY 7016)

# LOCKING DEVICE



[RETURNS TO OVERALL](#)

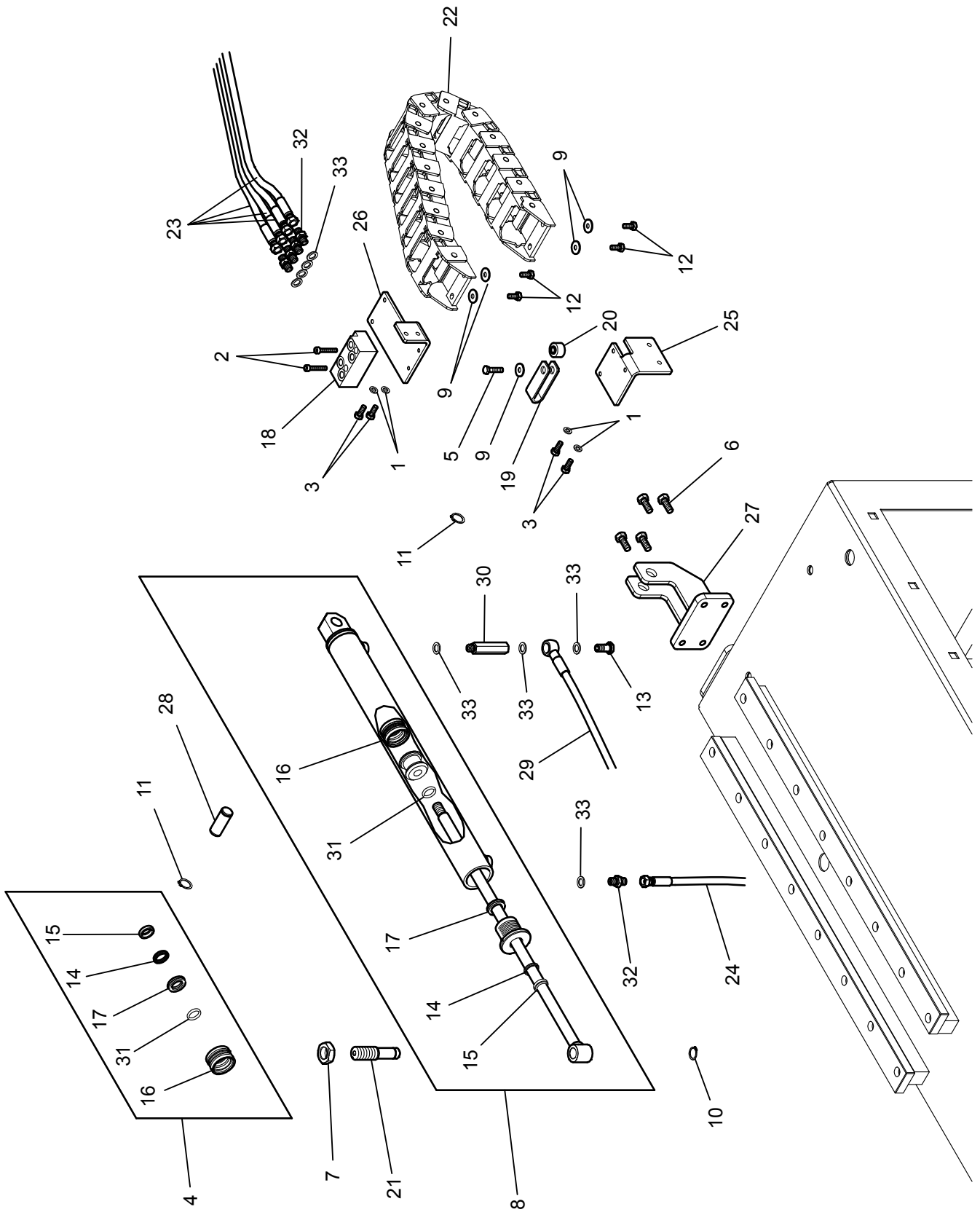
## TCX3000 Tire Changer

REFER TO NEXT SHEET FOR PARTS DESCRIPTION LISTING

Index No.	Part Number	Description
1	RP11-2-00023	RETAINING RING FOR SHAFT D.10
2	RP11-2-00150	NUT M6
3	RP11-2-00153	NUT M12
4	RP11-2-00363	HEXAGON HEAD CAP SCREW M6X25
5	RP11-2-00373	HEXAGON HEAD CAP SCREW M8X20
6	RP11-2-00676	NUT M5
7	RP11-2-02337	HEXAGON HEAD CAP SCREW M5X16
8	RP11-2-02507	RETAINING RING FOR BORE D.22
9	RP11-2-02560	SOCKET SET SCREW M5X16
10	RP11-2-03135	SPRING-TYPE STRAIGHT PIN D8X24
11	RP11-2-03527	RETAINING RING FOR SHAFT D.120
12	RP11-2-03545	SOCKET HEAD CAP SCREW M8X70
13	RP11-2-71441	HEX. HEAD CAP SCREW M16X1,5X40
14	RP11-2-71601	RETAINING RING FOR SHAFT D.45
15	RP11-2-94124	SPACER D90X120X1
16	RP11-3-00059	ORIENTING ELBOW FITTING 1/8 T8
17	RP11-3-02147	GASKET D120
18	RP11-3-02219	GASKET DUALSEAL OP 126 B
19	RP11-3-02404	CONNECTING PIECE D50X80
20	RP11-3-90005	HANDLE
21	RP11-3015546	HELICAL COMPRESSION SPRING
22	RP11-4-103143	LEVER
23	RP11-4-401628	PARALLEL PIN D.11X28
24	RP11-4-403845	CONNECTING ROD
25	RP11-4-403846	LOWER FLANGE

Index No.	Part Number	Description
26	RP11-4-403848	PIN
27	RP11-4-403849	DRIVER PIN
28	RP11-4-403850	SHAFT FOR CYLINDER
29	RP11-4-403851	WASHER D16.25X45X8
30	RP11-4-403852	PISTON D.120
31	RP11-4-403854	CONNECTING ROD
32	RP11-4-403856	CASING CYLINDER D.120
33	RP11-4-403932	HELICAL COMPRESSION SPRING
34	RP11-4-404024	PROTECTION
35	RP11-4-404058	UPPER FLANGE
36	RP11-4-405214	EJECTOR
37	RP11-4-405613	PIN
38	RP11-412246	UNDULATED SPRING WASHER D.17,5
39	RP11-4210696	O-RING 2050 (1.78x12.42)
40	RP11-428538	O-RING 3450 (2,62X113,9)
41	RP11-476390	O-RING 4100 (3,53X24,99)
42	RP11-5-401001	PNEUMATIC WHEEL LOCKING DEVICE
43	RP11-5-401210	HUB
44	RP11-5-401211	DRIVER ASSEMBLY
45	RP11-5-401338	LOCKING RING NUT D. 40X3
46	RP11-5-490992	COMPLETE THREADED HUB
47	RP11-94-102326B	DRIVER PIN
48	RP11-94-102331A	HELICAL COMPRESSION SPRING
49	RP11-9434168	WASHER D.6.6X24X2
50	RP11-2-03543	HEXAGON HEAD CAP SCREW M8X25

# HORIZONTAL CYLINDER



[RETURNS TO OVERALL](#)

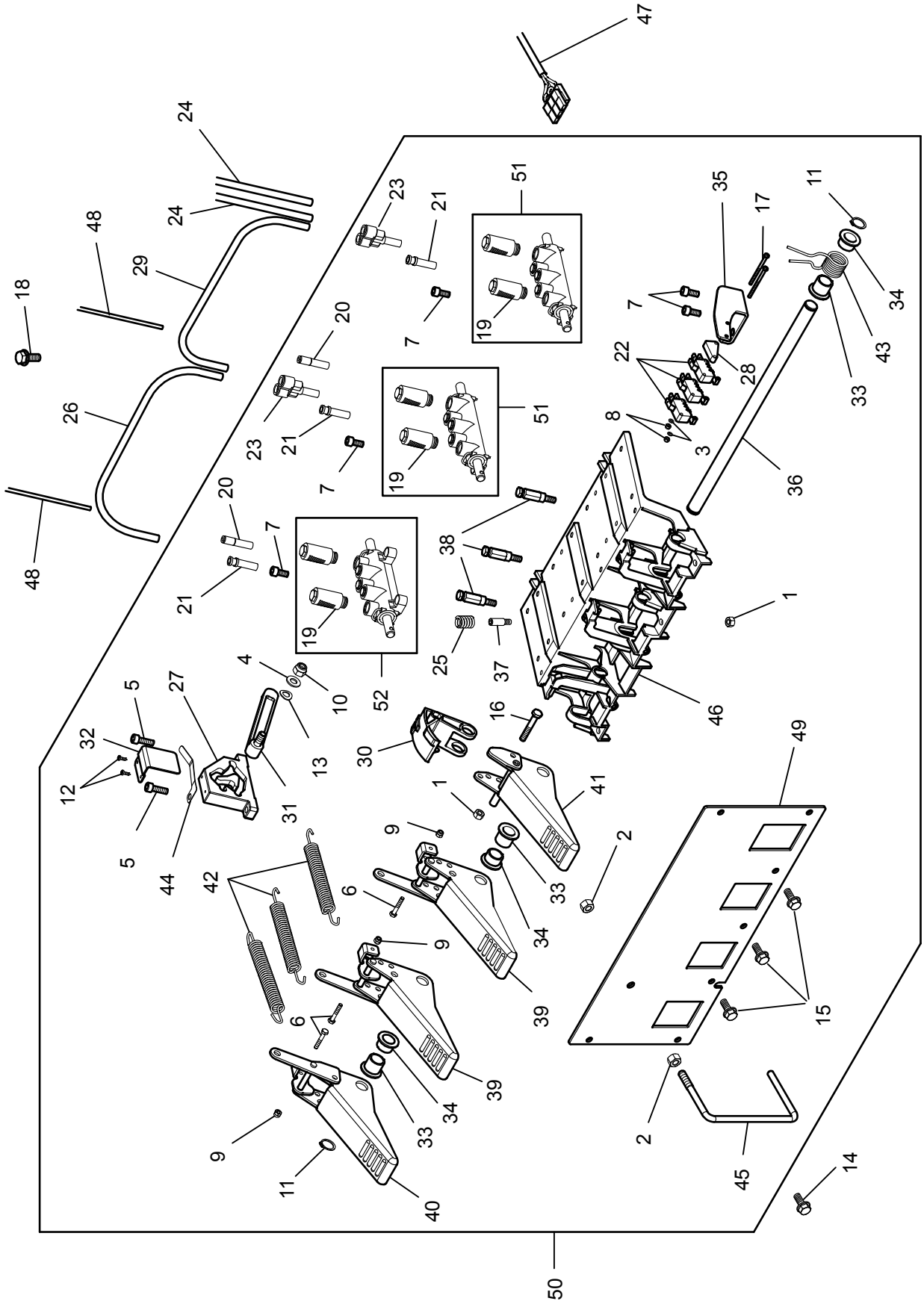
## TCX3000 Tire Changer

REFER TO NEXT SHEET FOR PARTS DESCRIPTION LISTING

Index No.	Part Number	Description
1	RP11-2-00211	WASHER FOR HEX CAP SCREW M6
2	RP11-2-00300	SOCKET HEAD CAP SCREW M5X30
3	RP11-2-00361	HEXAGON HEAD CAP SCREW M6X16
<b>4</b>	<b>RP11-5-491003</b>	<b>SET OF GASKETS FOR CYLINDER</b>
5	RP11-2-00364	HEXAGON HEAD CAP SCREW M6X30
6	RP11-2-00373	HEXAGON HEAD CAP SCREW M8X20
7	RP11-2-00656	LOW NUT M 18X1,5
8	RP11-5-401618	CYLINDER D.35X400
9	RP11-2-00679	WASHER D.6X18X1,5
10	RP11-2-01122	RETAINING RING FOR SHAFT D.15
11	RP11-2-01130	RETAINING RING FOR SHAFT D.16
12	RP11-2-02761	HEXAGON HEAD CAP SCREW M6X14
13	RP11-3-01487	UNION 1/8" BOLT
14	RP11-3-01963	GASKET TS 15-21,5-4,2
15	RP11-3-01964	GASKET PW15
16	RP11-3-90174	GASKET DAS 3525/1
17	RP11-3-90175	GASKET DUALSEAL OP 216 B

Index No.	Part Number	Description
18	RP11-4-401041	4-WAY BEAM DISTRIBUTOR
19	RP11-4-401385	BEAD BREAKER HOSE GUIDE
20	RP11-4-401398	SPACER
21	RP11-4-401909	CYLINDER PIN
22	RP11-4-402571	CHAIN
23	RP11-4-404128	HYDRAULIC HOSE L=1700
24	RP11-4-404373	HYDRAULIC HOSE L=1000
25	RP11-4-404630	LOWER SUPPORT
26	RP11-4-404631	UPPER SUPPORT
27	RP11-4-405340	CYLINDER HOLDER
28	RP11-4-405341	CYLINDER PIN
29	RP11-4-405547	HYDRAULIC HOSE L=1000
30	RP11-4-405672	STRAIGHT EXTENSION 1/8" BSP
31	RP11-4205265	O-RING 119 (2.62X15.08)
32	RP11-4219352	NIPPLE 1/8"
33	RP11-4219353	COPPER WASHER 1/8"

# PEDALS SYSTEM



[RETURNS TO OVERALL](#)

## TCX3000 Tire Changer

REFER TO NEXT SHEET FOR PARTS DESCRIPTION LISTING

Index No.	Part Number	Description
1	RP11-2-00111	HIGH NUT M6
2	RP11-2-00112	NUT M8
3	RP11-2-00208	WASHER FOR HEX CAP SCREW M3
4	RP11-2-00212	WASHER FOR HEX CAP SCREW M8
5	RP11-2-00310	SOCKET HEAD CAP SCREW M6X20
6	RP11-2-00397	HEXAGON HEAD CAP SCREW M4X25
7	RP11-2-00728	SOCKET HEAD CAP SCREW M6X14
8	RP11-2-01017	NUT WITH POLYAMIDE RING M3
9	RP11-2-01018	NUT WITH POLYAMIDE RING M4
10	RP11-2-01020	NUT WITH POLYAMIDE RING M8
11	RP11-2-01122	RETAINING RING FOR SHAFT D.15
12	RP11-2-01272	SELF-TAPPING SCREW D.2,9X9,5
13	RP11-2-02248	UNDULATED SPRING WASHER D.8
14	RP11-2-03607	HEXAGON FLANGE BOLTS M6X16
15	RP11-2-04020	HEXAGON FLANGE BOLTS M6X12
16	RP11-2-02811	HEXAGON HEAD CAP SCREW M6X40
17	RP11-2-03355	SOCKET HEAD CAP SCREW M3X45
18	RP11-2-03532	HEXAGON FLANGE BOLTS M8X20
19	RP11-3-00182	SILENCER G.1/4
20	RP11-3-01177	QUICK UNION D.8 T.4-2
21	RP11-3-01338	CAP D.8
22	RP11-3-01451	MICROSWITCH
23	RP11-3-02192	Y MALE ADAPTOR C8-T8
24	RP11-3005167	RILSAN HOSE D.8-6 L.1100
<b>25</b>	<b>RP11-4-137277</b>	<b>HELICAL COMPRESSION SPRING</b>
26	RP11-3009182	RILSAN HOSE D.8-6 L.240
27	RP11-3306148	TRIP CAM
28	RP11-4-401717	SPACER FOR MICROSWITCH SUPPORT

Index No.	Part Number	Description
29	RP11-4-402453	RILSAN HOSE D.8-6 L.190
<b>30</b>	<b>RP11-4-138054</b>	<b>MICROSWICTHES DRIVE CAM</b>
31	RP11-4-403659	CAM CONNECTING ROD
32	RP11-4-403693	CONNECTING ROD GUIDE BRACKET
33	RP11-4-403702	SPRING BUSH H.18
34	RP11-4-403703	SPRING BUSH H.13
<b>35</b>	<b>RP11-4-140031</b>	<b>MICROSWITCHES SUPPORT</b>
36	RP11-4-403715	PEDAL PIN
37	RP11-4-403732	SPRING PIN
38	RP11-4-403734	SPECIAL SCREW
39	RP11-4-403774	LEFT PEDAL
40	RP11-4-403777	RIGTH PEDAL
41	RP11-4-403778	RIGHT MICROSWITCH PEDAL
<b>42</b>	<b>RP11-4-403790</b>	<b>TENSION SPRING</b>
<b>43</b>	<b>RP11-4-403791</b>	<b>HELICAL TORSION SPRING</b>
44	RP11-4-403795	FORK LEAF SPRING
45	RP11-4-404435	PEDALS SEPARATOR
46	RP11-4-404495	PEDALS BASE
47	RP11-4-404582	MICROSWITCH CABLE
48	RP11-4-404930	RILSAN HOSE D.4-2 L.1000
49A	RP11-4-407568	FRONT PANEL (RED)
49B	RP11-4-406832	FRONT PANEL (GREY 7016)
49C	RP11-4-407232	FRONT PANEL (GREY 7040)
50A	RP11-5-104007	COMPLETE PEDAL SYSTEM (RED)
50B	RP11-5-104008	COMPLETE PEDAL SYSTEM (GREY 7040)
50C	RP11-5-104127	COMPLETE PEDAL SYSTEM (GREY 7016)
<b>51</b>	<b>RP11-5-400951</b>	<b>COMPLETE RIGHT VALVE T.8</b>
<b>52</b>	<b>RP11-5-400952</b>	<b>COMPLETE LEFT VALVE T.8</b>

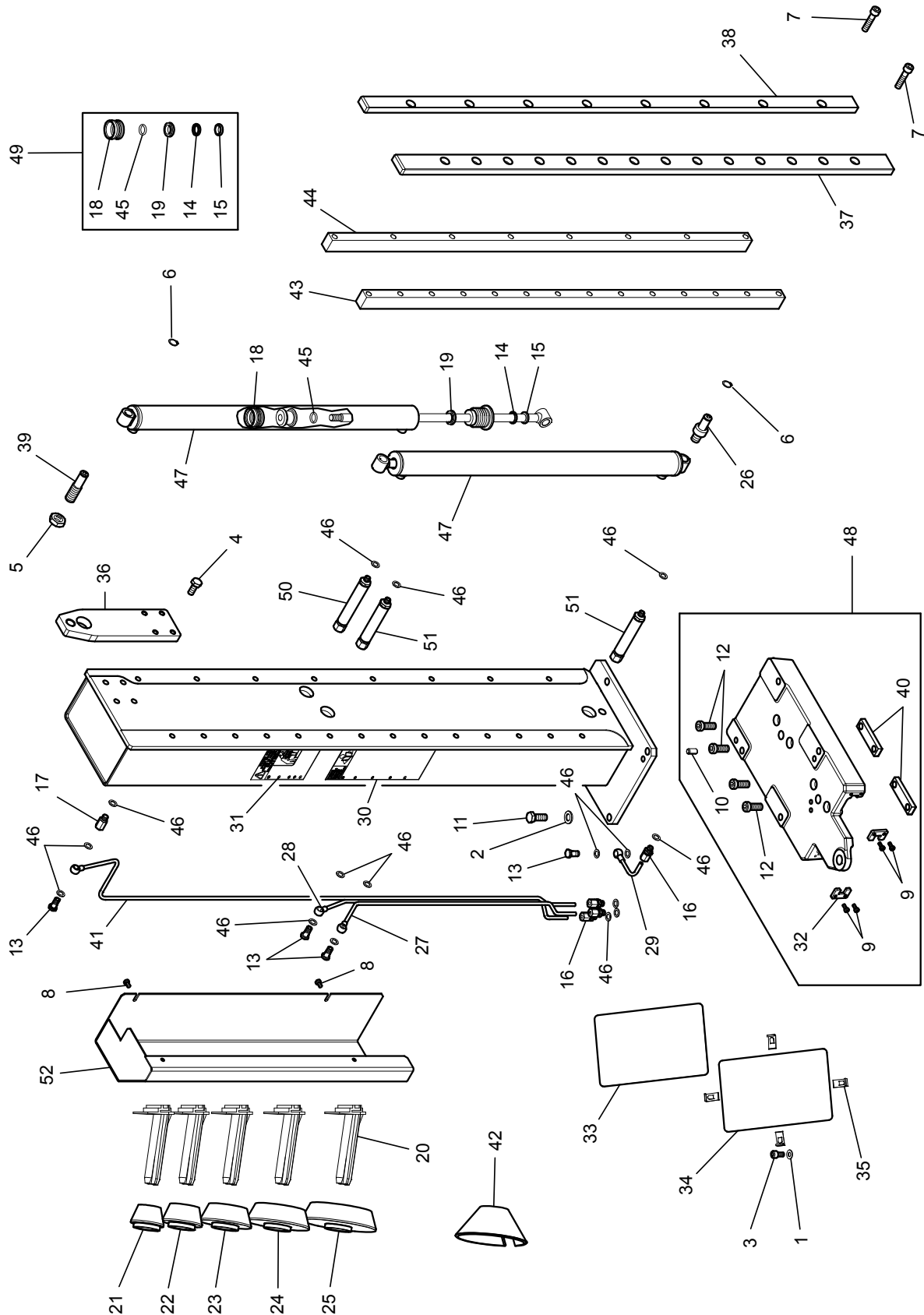


Index No.	Part Number	Description
1	RP11-2-00112	NUT M8
2	RP11-2-00215	WASHER FOR HEX CAP SCREW M14
3	RP11-2-00372	HEXAGON HEAD CAP SCREW M8X16
4	RP11-2-00795	HEXAGON HEAD CAP SCREW M8X35
5	RP11-2-00941	HEXAGON THIN NUT M14
6	RP11-2-01020	NUT WITH POLYAMIDE RING M8
7	RP11-2-01299	WASHER D.9X24X2
8	RP11-2-01950	PARALLEL KEY 6X6X18
9	RP11-2-02032	SOCKET COUNTERSUNK SCREW M8X30
10	RP11-2-02561	SOCKET SET SCREW M8X14
11	RP11-2-03365	NUT WITH FLANGE DIN6926 M8
12	RP11-2-91647	CROSS PAN HEAD SCREW M5X12
13	RP11-3-00059	ORIENTING ELBOW FITTING 1/8 T8
14	RP11-3-00183	SILENCER 1/8"
15	RP11-3-00198	MALE PLUG G1/8
16	RP11-3-00308	L-UNION 1/8"
17	RP11-3-01338	CAP D.8
<b>18</b>	<b>RP11-3-01576</b>	<b>POLY-V BELT J6-914</b>
<b>19</b>	<b>RP11-3-02302</b>	<b>INTEGRATED MOTOR-INVERTER</b>

Index No.	Part Number	Description
20	RP11-3-02403	VALVE
21	RP11-3005167	RILSAN HOSE D.8-6 L.1100
22	RP11-3010107	SCREW FOR ROTATING UNION
23	RP11-5-491002	GEARBOX WITH PULLEY
24	RP11-3093988	RILSAN HOSE D.8-6 L.120
25	RP11-4-101692	ELECTRIC MOTOR CONTROL CABLE
26	RP11-4-401171	EXTENSION 1/8"BSP M-F H=28
27	RP11-4-401658	MOTOR-INVERTER PULLEY J6
28	RP11-4-401862	ADJUSTING SCREW SUPPORT PLATE
29	RP11-4-403630	GEARBOX PULLEY 6J
30	RP11-4-404060	MOTOR SUPPORT PLATE
31	RP11-4-404461	CABLE FOR CHUCK MOTOR
32	RP11-4-404583	CABLE
<b>33</b>	<b>RP11-4-405602</b>	<b>INVERTER PCB 230V + DISSIPATOR</b>
34	RP11-4-406148	ELECTRIC MOTOR (WITHOUT INVERTER)
35	RP11-4207833	O-RING 3237 (2,62X60)
36	RP11-5-400778	COMPLETE GEARBOX SX-G
<b>37</b>	<b>RP11-5-401151</b>	<b>COMPLETE ROTATING UNION</b>

# VERTICAL COLUMN

Version produced up to s/n IHC727332



[RETURNS TO OVERALL](#)

## TCX3000 Tire Changer

REFER TO NEXT SHEET FOR PARTS DESCRIPTION LISTING

Index No.	Part Number	Description
1	RP11-2-00212	WASHER FOR HEX CAP SCREW M8
2	RP11-2-00214	WASHER FOR HEX CAP SCREW M12
3	RP11-2-00319	SOCKET HEAD CAP SCREW M8X16
4	RP11-2-00380	HEXAGON HEAD CAP SCREW M10X25
5	RP11-2-00656	LOW NUT M 18X1,5
6	RP11-2-01122	RETAINING RING FOR SHAFT D.15
7	RP11-2-01224	SOCKET HEAD CAP SCREW M10X45
8	RP11-2-02362	CROSS PAN HEAD SCREW M6X10
9	RP11-2-03106	SOCKET HEAD CAP SCREW M5X12
10	RP11-2-71733	SPRING PIN D.10X20
11	RP11-2-80043	HEXAGON HEAD CAP SCREW M12X30
12	RP11-2-94102	SOCKET HEAD CAP SCREW M12X30
13	RP11-3-01487	UNION 1/8" BOLT
14	RP11-3-01963	GASKET TS 15-21,5-4,2
15	RP11-3-01964	GASKET PW15
16	RP11-3-02300	UNION 1/8BSP D.6
17	RP11-3-90135	EXTENSION 1/8"BSP L=17
18	RP11-3-90174	GASKET DAS 3525/1
19	RP11-3-90175	GASKET DUALSEAL OP 216 B
20	RP11-3310807	FLANGE HOLDER
21	RP11-4-400953	CONE 40MM (01) (OLD VERSION)
22	RP11-4-400954	CONE 40MM (02) (OLD VERSION)
23	RP11-4-400955	CONE 40MM (03) (OLD VERSION)
24	RP11-4-400956	CONE 40MM (04) (OLD VERSION)
25	RP11-4-401605	CONE 116-141 MM (NEW VERSION)
26	RP11-4-404072	CYLINDER REAR PIN
27	RP11-4-404131	RIGID PIPE D.6

Index No.	Part Number	Description
28	RP11-4-404132	RIGID PIPE D.6
29	RP11-4-404134	RIGID PIPE D.6
30	RP11-4-404333	DECAL, WARNING READ MANUAL
31	RP11-4-404334	DECAL, WARNING PRESSURE LIMIT
32	RP11-4-404745	CARRIAGE SCRAPER
33	RP11-4-404796	MIRROR 210X135
34	RP11-4-404797	MIRROR HOLDER
35	RP11-4-404855	HOOK
36	RP11-4-405319	CYLINDER HOLDER
37	RP11-4-405324	CARRIAGE GUIDE
38	RP11-4-405326	ANTI-ROTATION CARRIAGE GUIDE
39	RP11-4-405330	CYLINDER PIN
40	RP11-4-405497	CARRIAGE REGULATOR
41	RP11-4-405548	RIGID PIPE D.6
42	RP11-4-405786	CONE 53.5-134 MM
43	RP11-4-405801	SPACER CARRIGE GUIDE
44	RP11-4-405802	SPACER CARRIGE GUIDE
45	RP11-4205265	O-RING 119 (2.62X15.08)
46	RP11-4219353	COPPER WASHER 1/8"
47	RP11-5-401092	CYLINDER 35X580
48	RP11-5-402038	COMPLETE CARRIAGE
49	RP11-5-491003	SET OF GASKETS FOR CYLINDER
50	RP11-5-491050	EXTENSION 1/4 L.102.5
51	RP11-5-491051	EXTENSION 1/4 L.95
52A	RP11-4-406838	CONE HOLDER (RED)
52B	RP11-4-404378	CONE HOLDER (GREY 7016)
52C	RP11-4-407229	CONE HOLDER (GREY 7040)

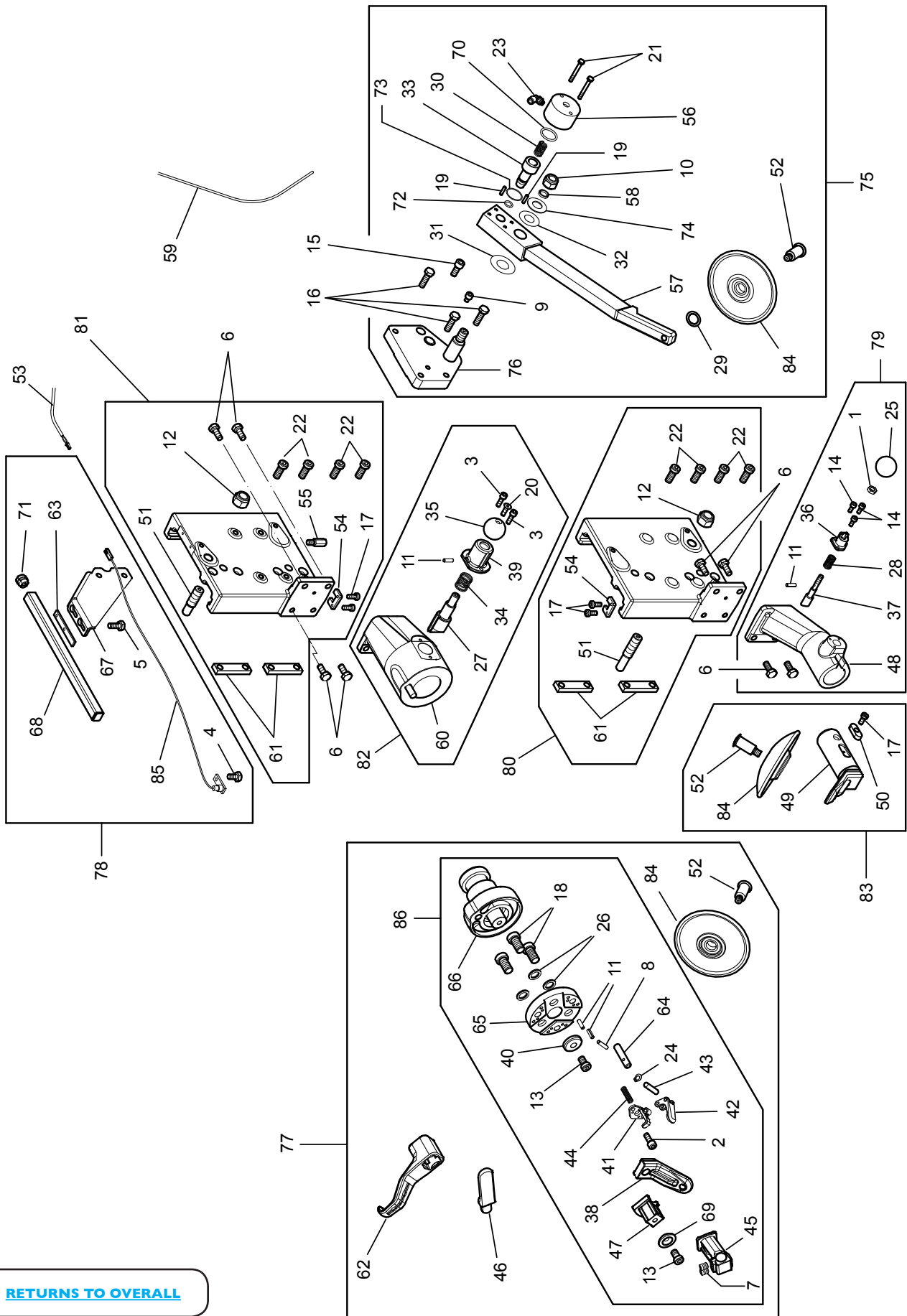


Index No.	Part Number	Description
1	RP11-2-00212	WASHER FOR HEX CAP SCREW M8
2	RP11-2-00214	WASHER FOR HEX CAP SCREW M12
3	RP11-2-00319	SOCKET HEAD CAP SCREW M8X16
5	RP11-2-00656	LOW NUT M 18X1,5
6	RP11-2-01122	RETAINING RING FOR SHAFT D.15
7	RP11-2-01224	SOCKET HEAD CAP SCREW M10X45
8	RP11-2-02362	CROSS PAN HEAD SCREW M6X10
9	RP11-2-03106	SOCKET HEAD CAP SCREW M5X12
10	RP11-2-71733	SPRING PIN D.10X20
11	RP11-2-80043	HEXAGON HEAD CAP SCREW M12X30
12	RP11-2-94102	SOCKET HEAD CAP SCREW M12X30
13	RP11-3-01487	UNION 1/8" BOLT
14	RP11-3-01963	GASKET TS 15-21,5-4,2
15	RP11-3-01964	GASKET PW15
16	RP11-3-02300	UNION 1/8BSP D.6
17	RP11-3-90135	EXTENSION 1/8"BSP L=17
18	RP11-3-90174	GASKET DAS 3525/1
19	RP11-3-90175	GASKET DUALSEAL OP 216 B
20	RP11-3310807	FLANGE HOLDER
21	RP11-4-112941	CARRIAGE REGULATOR
22	RP11-4-112939	CARRIAGE REGULATOR
23	RP11-2-00062	SOCKET HEAD CAP SCREW M10X20
24	RP11-2-71543	TOOTH WASHER D. 10
25	RP11-2-00380	HEXAGON HEAD CAP SCREW M10X25
26	RP11-4-404072	CYLINDER REAR PIN
27	RP11-4-404131	RIGID PIPE D.6
28	RP11-4-404132	RIGID PIPE D.6

Index No.	Part Number	Description
29	RP11-4-404134	RIGID PIPE D.6
30	RP11-4-404333	DECAL, WARNING READ MANUAL
31	RP11-4-404334	DECAL, WARNING PRESSURE LIMIT
32	RP11-4-404745	CARRIAGE SCRAPER
33	RP11-4-404796	MIRROR 210X135
34	RP11-4-404797	MIRROR HOLDER
35	RP11-4-404855	HOOK
36	RP11-4-405319	CYLINDER HOLDER
37	RP11-4-405324	CARRIAGE GUIDE
38	RP11-4-405326	ANTI-ROTATION CARRIAGE GUIDE
39	RP11-4-405330	CYLINDER PIN
40	RP11-5-401300	MIRROR WITH HOLDER
41	RP11-4-405548	RIGID PIPE D.6
42	RP11-4-405786	CONE 53.5-134 MM
43	RP11-4-405801	SPACER CARRIGE GUIDE
44	RP11-4-405802	SPACER CARRIGE GUIDE
45	RP11-4205265	O-RING 119 (2.62X15.08)
46	RP11-4219353	COPPER WASHER 1/8"
47	RP11-5-401092	CYLINDER 35X580
48	RP11-5-104027	CARRIAGE
<b>49</b>	<b>RP11-5-491003</b>	<b>SET OF GASKETS FOR CYLINDER</b>
50	RP11-5-491050	EXTENSION 1/4 L.102.5
51	RP11-5-491051	EXTENSION 1/4 L.95
52A	RP11-4-406838	CONE HOLDER (RED)
52B	RP11-4-404378	CONE HOLDER (GREY 7016)
52C	RP11-4-407229	CONE HOLDER (GREY 7040)

# VERTICAL CARRIAGE

Version produced up to s/n IHA725052



## TCX3000 Tire Changer

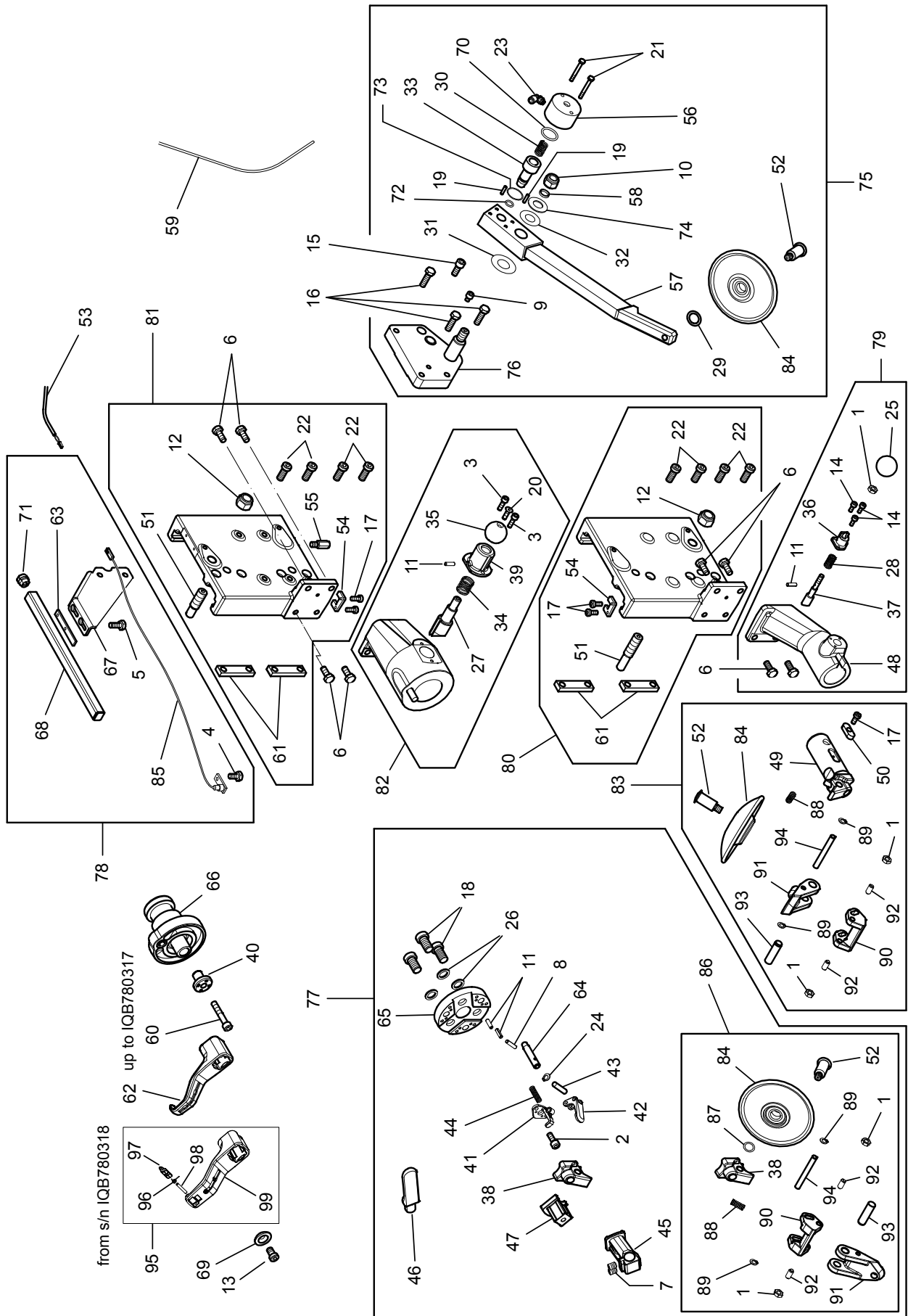
REFER TO NEXT SHEET FOR PARTS DESCRIPTION LISTING

Index No.	Part Number	Description
1	RP11-2-00156	LOW NUT M8
2	RP11-2-00309	SOCKET HEAD CAP SCREW M6X16
3	RP11-2-00310	SOCKET HEAD CAP SCREW M6X20
4	RP11-2-00359	HEXAGON HEAD CAP SCREW M6X10
5	RP11-2-00360	HEXAGON HEAD CAP SCREW M6X12
6	RP11-2-00380	HEXAGON HEAD CAP SCREW M10X25
7	RP11-2-00819	SOCKET SET SCREW M8X10
8	RP11-2-00975	SPLIT PIN D. 4X22
9	RP11-2-01053	SOCKET HEAD CAP SCREW M8X10
10	RP11-2-01163	NUT WITH POLYAMIDE RING M16
11	RP11-2-01228	SPRING PIN D. 4X14
12	RP11-2-01242	SELF-LOCKING NUT M18X1.5
13	RP11-2-01985	SOCKET HEAD CAP SCREW M10X20
14	RP11-2-02080	SOCKET HEAD CAP SCREW M4X10
15	RP11-2-02232	SOCKET HEAD CAP SCREW M10X25
16	RP11-2-02332	HEXAGON HEAD CAP SCREW M10X40
17	RP11-2-03106	SOCKET HEAD CAP SCREW M5X12
18	RP11-2-03636	SOCKET HEAD CAP SCREW M16X35
19	RP11-2-71576	PARALLEL PIN D.5X20
20	RP11-2-80129	SOCKET COUNTERSUNK SCREW M6X20
21	RP11-2-94005	HEXAGON HEAD CAP SCREW M6X50
22	RP11-2-94102	SOCKET HEAD CAP SCREW M12X30
23	RP11-3-00239	ORIENTING ELBOW FITTING M5 T.4
24	RP11-3-02270	RETAINING RING 6X1
25	RP11-3-02365	HANDLE M8
26	RP11-3-03201	NORD-LOCK NL16 WASHER
27	RP11-3008714	LATCH
28	RP11-3010598	HELICAL COMPRESSION SPRING
29	RP11-3011413	WASHER 20.5X30X0.3
30	RP11-3015546	HELICAL COMPRESSION SPRING
31	RP11-3016379	WASHER D. 25X51,5X0,5
32	RP11-3017251	WASHER 20X42X0,5
33	RP11-3019479	STOPPER PIN
34	RP11-3094883	MOUNTING BAR SPRING
35	RP11-3309271	HANDLE FOR LATCH
36	RP11-4-400980A	BEAD BREAKER RATCHET GUIDE
37	RP11-4-400981	BEAD BREAKER RATCHET PIN
38	RP11-4-404148	DISK SUPPORT
39	RP11-4-404149	LATCH CASE
40	RP11-4-404150A	WASHER D.11X37X8
41	RP11-4-404179	UNHOOK LEVER SUPPORT
42	RP11-4-404180	UNHOOK LEVER
43	RP11-4-404190	UNHOOK LEVER FULCRUM PIN

Index No.	Part Number	Description
44	RP11-4-404191	SPRING
45	RP11-4-404195	MOUNTING TOOL HOLDER
46	RP11-4-404198	MOUNTING TOOL
47	RP11-4-404199	TOOL HOLDER
48	RP11-4-404200	LOWER TOOL HOLDER
49	RP11-4-404220	LOWER DISC SUPPORT
50	RP11-4-404245	TONGUE
51	RP11-4-404254	VERTICAL CARRIAGE PIN
52	RP11-4-404296	BEAD BREAKER ROLLER PIN
53	RP11-4-404569	LASER FEEDING CABLE
54	RP11-4-404745	CARRIAGE SCRAPER
55	RP11-4-404746	UPPER CARRIAGE STROKE END
56	RP11-4-404800	CYLINDER CASING
57	RP11-4-404813	ARM
58	RP11-4-404822	HUB SPACER
59	RP11-4-404932	RILSAN HOSE D.4-2 L.4100
60	RP11-4-405004A	ROTATING HEAD HOLDER
61	RP11-4-405497	CARRIAGE REGULATOR
62	RP11-4-405728	TOOL
63	RP11-4-406373	PLATE
64	RP11-4-406898	STOPPER PIN
65	RP11-4-406899A	FLANGE
66	RP11-4-406901	FIXED PIN WITH FLANGE
67	RP11-4-406908	LASER ARM BRACKET
68	RP11-4-406910	LASER ARM
69	RP11-4-407355	TOOL FIXING WASHER
70	RP11-4206389	O-RING 4112 (3,53X28,17)
71	RP11-4206664	CABLE HOLDER SB8R-3
72	RP11-4211406	O-RING 3050 (2,62X12,37)
73	RP11-4212295	O-RING 2125 (1,78X31,47)
74	RP11-4217252	CONICAL SPRING WASHER 40X20X2
75	RP11-5-401290	AUXILIARY ARM
76	RP11-5-401291	ARM HOLDER WITH BUSH
77	RP11-5-401788	COMPLETE ROTATING HEAD
78	RP11-5-402006	COMPLETE LASER ARM
79	RP11-5-402029	LOWER TOOL HOLDER
80	RP11-5-402035	COMPLETE LOWER CARRIAGE
81	RP11-5-402036	COMPLETE UPPER CARRIAGE
82	RP11-5-402037	ROTATING HEAD HOLDER WITH PIN
83	RP11-5-402075	LOWER BEAD-BREAKER DISC
84	RP11-5-490664	DISC WITH BEARINGS
85	RP11-5-491015	LASER
86	RP11-5-491383	ROTATING HEAD, REPLACE KIT

# VERTICAL CARRIAGE

Version produced from s/n IHA725053



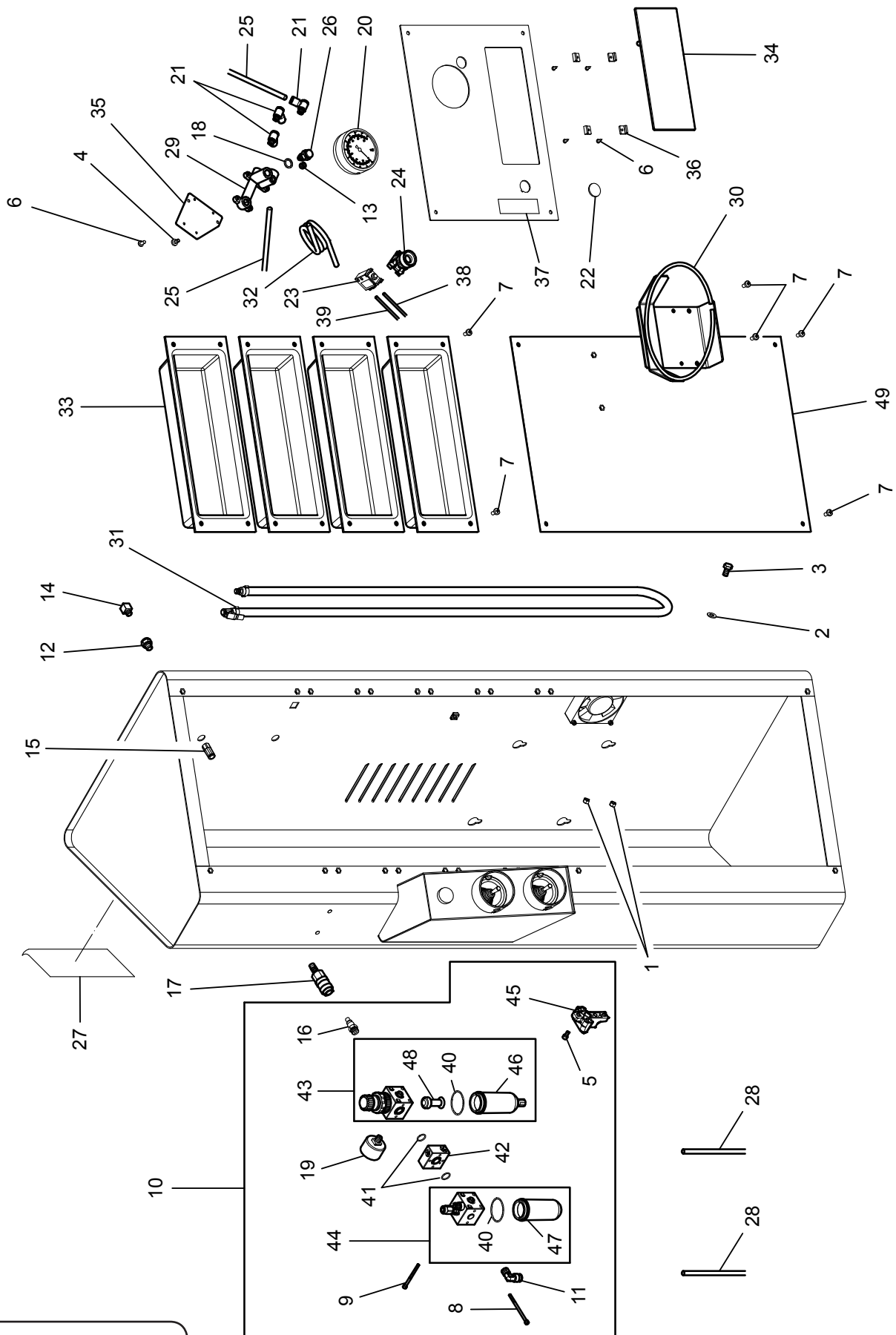
## TCX3000 Tire Changer

REFER TO NEXT SHEET FOR PARTS DESCRIPTION LISTING

Index No.	Part Number	Description
1	RP11-2-00156	LOW NUT M8
2	RP11-2-00309	SOCKET HEAD CAP SCREW M6X16
3	RP11-2-00310	SOCKET HEAD CAP SCREW M6X20
4	RP11-2-00359	HEXAGON HEAD CAP SCREW M6X10
5	RP11-2-00360	HEXAGON HEAD CAP SCREW M6X12
6	RP11-2-00380	HEXAGON HEAD CAP SCREW M10X25
7	RP11-2-00819	SOCKET SET SCREW M8X10
8	RP11-2-00975	SPLIT PIN D. 4X22
9	RP11-2-01053	SOCKET HEAD CAP SCREW M8X10
10	RP11-2-01163	NUT WITH POLYAMIDE RING M16
11	RP11-2-01228	SPRING PIN D. 4X14
12	RP11-2-01242	SELF-LOCKING NUT M18X1.5
13	RP11-2-01985	SOCKET HEAD CAP SCREW M10X20
14	RP11-2-02080	SOCKET HEAD CAP SCREW M4X10
15	RP11-2-02232	SOCKET HEAD CAP SCREW M10X25
16	RP11-2-02332	HEXAGON HEAD CAP SCREW M10X40
17	RP11-2-03106	SOCKET HEAD CAP SCREW M5X12
18	RP11-2-03636	SOCKET HEAD CAP SCREW M16X35
19	RP11-2-71576	PARALLEL PIN D.5X20
20	RP11-2-80129	SOCKET COUNTERSUNK SCREW M6X20
21	RP11-2-94005	HEXAGON HEAD CAP SCREW M6X50
22	RP11-2-94102	SOCKET HEAD CAP SCREW M12X30
23	RP11-3-00239	ORIENTING ELBOW FITTING M5 T.4
24	RP11-3-02270	RETAINING RING 6X1
25	RP11-3-02365	HANDLE M8
26	RP11-3-03201	NORD-LOCK NL16 WASHER
27	RP11-4-407487	LATCH
28	RP11-3010598	HELICAL COMPRESSION SPRING
29	RP11-3011413	WASHER 20.5X30X0.3
30	RP11-3015546	HELICAL COMPRESSION SPRING
31	RP11-3016379	WASHER D. 25X51,5X0,5
32	RP11-3017251	WASHER 20X42X0,5
33	RP11-3019479	STOPPER PIN
34	RP11-3094883	MOUNTING BAR SPRING
35	RP11-3309271	HANDLE FOR LATCH
36	RP11-4-400980A	BEAD BREAKER RATCHET GUIDE
37	RP11-4-400981	BEAD BREAKER RATCHET PIN
38	RP11-4-406103	HINGE
39	RP11-4-404149	LATCH CASE
40	RP11-4-407488	SPECIAL SCREW
41	RP11-4-404179	UNHOOK LEVER SUPPORT
42	RP11-4-404180	UNHOOK LEVER
43	RP11-4-404190	UNHOOK LEVER FULCRUM PIN
44	RP11-4-404191	SPRING
45	RP11-4-404195	MOUNTING TOOL HOLDER
46	RP11-4-404198	MOUNTING TOOL
47	RP11-4-404199	TOOL HOLDER
48	RP11-4-404200	LOWER TOOL HOLDER
49	RP11-4-406107	LOWER DISC SUPPORT
50	RP11-4-404245	TONGUE

Index No.	Part Number	Description
51	RP11-4-404254	VERTICAL CARRIAGE PIN
52	RP11-4-404296	BEAD BREAKER ROLLER PIN
53	RP11-4-404569	LASER FEEDING CABLE
54	RP11-4-404745	CARRIAGE SCRAPER
55	RP11-4-404746	UPPER CARRIAGE STROKE END
56	RP11-4-404800	CYLINDER CASING
57	RP11-4-404813	ARM
58	RP11-4-404822	HUB SPACER
59	RP11-4-404932	RILSAN HOSE D.4-2 L.4100
60	RP11-2-03561	SOCKET HEAD CAP SCREW M10X60
61	RP11-4-405497	CARRIAGE REGULATOR
62	RP11-4-405728	TOOL
63	RP11-4-406373	PLATE
64	RP11-4-407491	STOPPER PIN
65	RP11-4-406899	FLANGE
66	RP11-4-407486	FIXED PIN
67	RP11-4-406908	LASER ARM BRACKET
68	RP11-4-406910	LASER ARM
69	RP11-4-407355	TOOL FIXING WASHER
70	RP11-4206389	O-RING 4112 (3,53X28,17)
71	RP11-4206664	CABLE HOLDER SB8R-3
72	RP11-4211406	O-RING 3050 (2,62X12,37)
73	RP11-4212295	O-RING 2125 (1,78X31,47)
74	RP11-4217252	CONICAL SPRING WASHER 40X20X2
75	RP11-5-401290	AUXILIARY ARM
76	RP11-5-401291	ARM HOLDER WITH BUSH
77	RP11-5-103890	COMPLETE ROTATING HEAD
78	RP11-5-402006	COMPLETE LASER ARM
79	RP11-5-402029	LOWER TOOL HOLDER
80	RP11-5-402035	COMPLETE LOWER CARRIAGE
81	RP11-5-402036	COMPLETE UPPER CARRIAGE
82	RP11-5-103889	ROTATING HEAD HOLDER WITH PIN
83	RP11-5-401791	LOWER BEAD-BREAKER DISC
84	RP11-5-490664	DISC WITH BEARINGS
85	RP11-5-491015	LASER
86	RP11-5-401792	UPPER BEAD-BREAKER DISC
87	RP11-315274	WASHER 12X18X0.5
88	RP11-462494	SPRING
89	RP11-4215545	RETAINING RING FOR SHAFT D.8
90	RP11-4-406902	DISC STOPPER
91	RP11-4-406097	ARM
92	RP11-4208933	SPHERIC POSITIONER
93	RP11-2-94126	PARALLEL PIN D.12X45
94	RP11-4-112895	PIN D.8
<b>95</b>	<b>RP11-5-124182</b>	<b>COMPLETE TOOL</b>
<b>96</b>	<b>RP11-4-119138</b>	<b>TORSION SPRING</b>
<b>97</b>	<b>RP11-4-119140</b>	<b>RETRACTABLE NAIL</b>
<b>98</b>	<b>RP11-418509</b>	<b>PARALLEL PIN ISO8734A D.5X32</b>
<b>99</b>	<b>RP11-4-119142</b>	<b>TOOL</b>

# INFLATOR BOX



[RETURNS TO OVERALL](#)

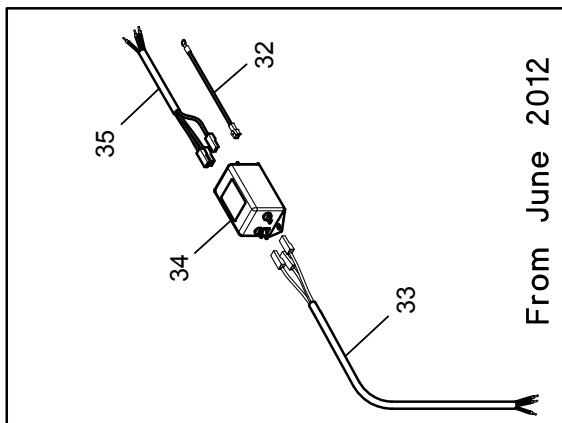
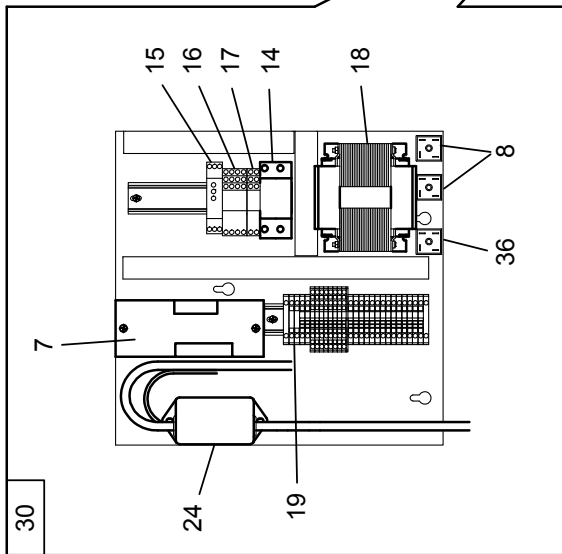
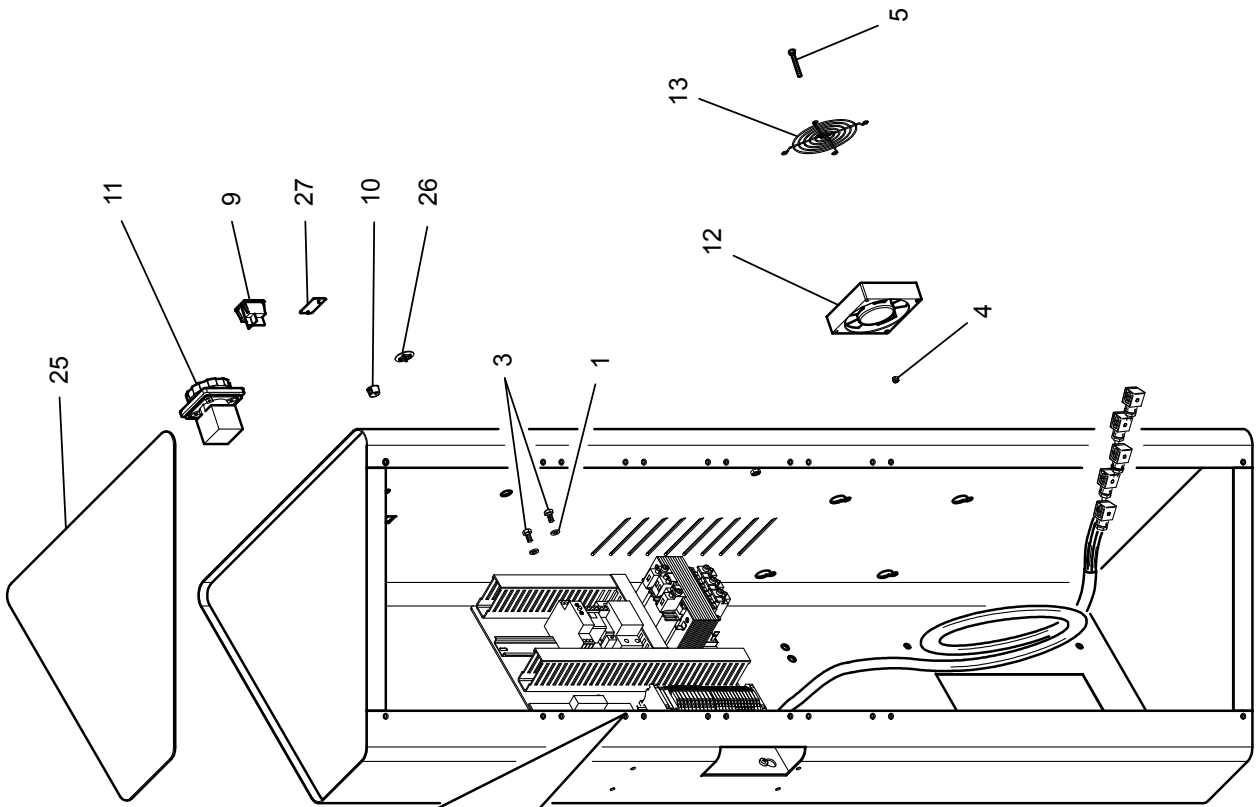
## TCX3000 Tire Changer

REFER TO NEXT SHEET FOR PARTS DESCRIPTION LISTING

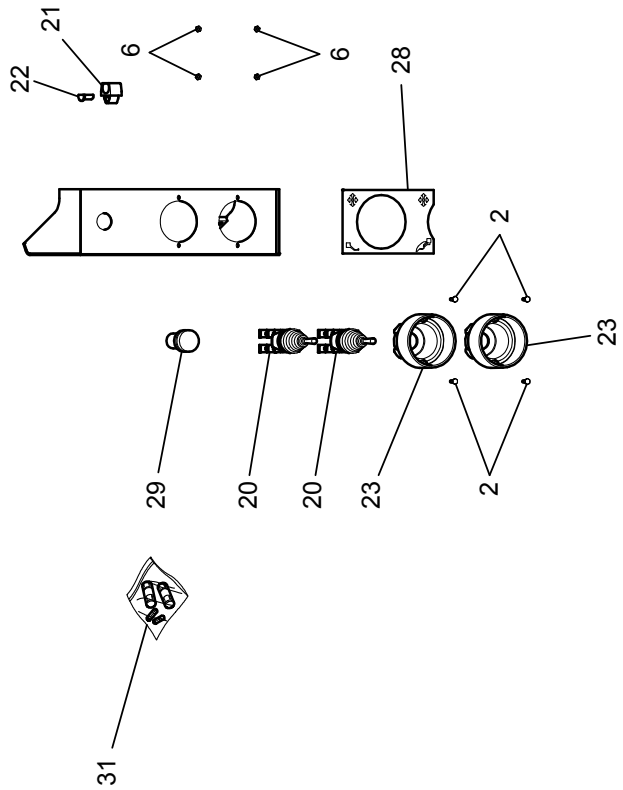
Index No.	Part Number	Description
1	RP11-2-00110	NUT M 5
2	RP11-2-00212	WASHER FOR HEX CAP SCREW M8
3	RP11-2-00372	HEXAGON HEAD CAP SCREW M8X16
4	RP11-2-00662	CROSS PAN HEAD SCREW M4X8
5	RP11-2-00853	SOCKET HEAD CAP SCREW M5X12
6	RP11-2-01321	SELF-TAPPING SCREW D.3,5X9,5
7	RP11-2-02755	CROSS PAN HEAD SCREW M6X12
8	RP11-2-03033	SOCKET HEAD CAP SCREW M4X70
9	RP11-2-03034	SOCKET HEAD CAP SCREW M4X55
10	RP11-2020110	PRESSURE REGULATOR+LUBRICATOR
11	RP11-3-00060	ORIENTING ELBOW FITTING 1/4 T8
12	RP11-3-00083	REDUCER G1/8 M-F
13	RP11-3-00198	MALE PLUG G1/8
14	RP11-3-00228	ELBOW MALE ADAPTOR G1/8 M-F
15	RP11-3-00264	UNION 1/8" 8-6
16	RP11-3-00410	QUICK MALE UNION
17	RP11-3-00411	BALL VALVE (D.10,5)
18	RP11-3-00445	NYLON NOTCHED-WASHER G1/4
19	RP11-3-00488	MANOMETER G1/8 0-12BAR
20	RP11-3-00490	PRESSURE GAUGE G1/4 0-10BAR
21	RP11-3-01714	ORIENTING ELBOW FITTING 1/8 T8
22	RP11-3-02561	PLATE
<b>23</b>	<b>RP11-3-90011</b>	<b>VALVE 3/2 NC P</b>
24	RP11-3-90012	PUSH-BUTTON
25	RP11-3009007	RILSAN HOSE D.8-6 L.1300
26	RP11-3012530	PUSH-BUTTON

Index No.	Part Number	Description
27	RP11-3014101	LABEL
28	RP11-3015501	RILSAN HOSE D.8-6 L.600
29	RP11-3315381	MANIFOLD
30	RP11-4-400539	TYRE PASTE CONTAINER SUPPORT
31	RP11-4-401451A	PNEUMATIC HOSE L.2500
32	RP11-4-401988	POLYURETHAN SPIRAL HOSE T8-5
33	RP11-4-404485	CONTAINER
34	RP11-4-404724	TPM PANEL
35	RP11-4-404735	MANIFOLD SUPPORT
36	RP11-4-404737	PANEL STOP
37	RP11-4-404853	LABEL
38	RP11-4-404931	RILSAN HOSE D.4-2 L.1500
39	RP11-4-404932	RILSAN HOSE D.4-2 L.4100
40	RP11-4212295	O-RING 2125 (1,78X31,47)
41	RP11-4216117	O-RING 2056 1,78X14
42	RP11-4220002	CONNECTING BLOCK
43	RP11-4220003	COMPLETE FILTER UNIT
44	RP11-4220004	COMPLETE LUBRICATOR UNIT
45	RP11-4220005	FILTER AND LUBRICATOR HOLDER
46	RP11-4220006	FILTER TANK
47	RP11-4220007	LUBRICATOR TANK
48	RP11-4220008	FILTER
49A	RP11-5-491056	LOWER FRONT PANEL (RED)
49B	RP11-5-104019	LOWER FRONT PANEL (GREY 7040)
49C	RP11-5-491057	LOWER FRONT PANEL (GREY 7016)

# ELECTRIC BOX



From June 2012



[RETURNS TO OVERALL](#)

Index No.	Part Number	Description
1	RP11-2-00211	WASHER FOR HEX CAP SCREW M6
2	RP11-2-00349	HEXAGON HEAD CAP SCREW M4X12
3	RP11-2-00360	HEXAGON HEAD CAP SCREW M6X12
4	RP11-2-01018	NUT WITH POLYAMIDE RING M4
5	RP11-2-02022	SOCKET HEAD CAP SCREW M4X35
6	RP11-2-71516	LOW NUT M4
7	RP11-2120828	CONNECTING BOARD
8	RP11-3-01805	RECTIFIER BRIDGE (V1,V2)
9	RP11-3-01969	PLUG
10	RP11-3-02017	PLUG D.14,3
11	RP11-3-90015	COMPLETE SWITCH
12	RP11-3-90111	AXIAL FAN 92X92X25
13	RP11-3-90112	GRID 92X92
14	RP11-3-90137	FUSE HOLDER 10X38
15	RP11-3-90138	TIMER
16	RP11-3-90139	RELAY
17	RP11-3-90140	RELAY
18	RP11-3-90142	TRANSFORMER

Index No.	Part Number	Description
19	RP11-3-90143	FUSE HOLDER 5X20
20	RP11-3-90220	CONTROL SWITCH LEVER
21	RP11-4-400693	INFLATING HOSE SUPPORT
22	RP11-4-400694	INFLATING HOSE SUPPORT PIN
23	RP11-4-401031	HANDLE COVER
24	RP11-4-403399	FEEDING CABLE WITH FILTER (UP TO MAY 2012)
25	RP11-4-404954	RUBBER MAT
26	RP11-4-405079	PLUG
27	RP11-4-405091	USB PLUG
28	RP11-4-405788	CONTROL LABEL (BLACK)
29	RP11-4219925	COMPLETE LAMP
30	RP11-5-401241	COMPLETE ELECTRIC PANEL
31	RP11-5-401401	FUSES BAG
32	RP11-4-103316	CABLE
33	RP11-4-109893	FEEDING CABLE
34	RP11-4-109914	FILTER
35	RP11-4-113514	CABLE
36	RP11-4-140294	RECTIFIER WITH DIODE (V3)

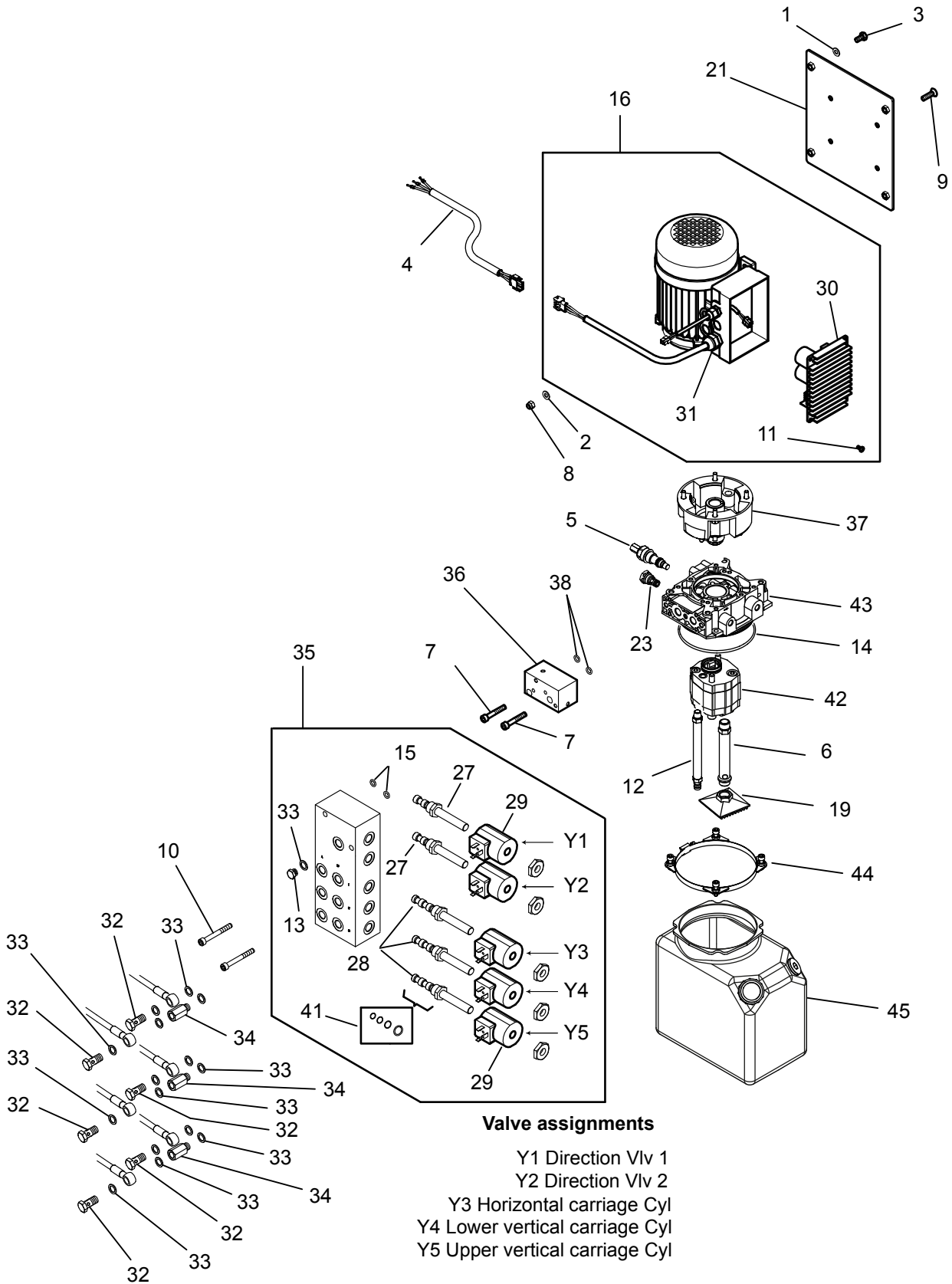


Index No.	Part Number	Description
1	RP11-2-00212	WASHER FOR HEX CAP SCREW M8
2	RP11-2-00309	SOCKET HEAD CAP SCREW M6X16
3	RP11-2-00372	HEXAGON HEAD CAP SCREW M8X16
4	RP11-2-00374	HEXAGON HEAD CAP SCREW M8X25
5	RP11-2-00531	SOCKET SET SCREW M6X8
6	RP11-2-00728	SOCKET HEAD CAP SCREW M6X14
7	RP11-2-00901	SOCKET HEAD CAP SCREW M8X50
8	RP11-2-01020	NUT WITH POLYAMIDE RING M8
9	RP11-2-02032	SOCKET COUNTERSUNK SCREW M8X30
10	RP11-2-03321	SOCKET HEAD CAP SCREW M8X65
11	RP11-2-91647	CROSS PAN HEAD SCREW M5X12
12	RP11-2-94135	SOCKET HEAD CAP SCREW M8X75
13	RP11-3-00259	CAP 1/4"
14	RP11-3-02378	O-RING 6425 (107.2X5.34)
15	RP11-3-02414	O-RING 3037 (2,62X9,19)
<b>16</b>	<b>RP11-3-90024</b>	<b>INTEGRATED MOTOR-INVERTER</b>
17	RP11-3-90193	LOWER PUMP GASKET
18	RP11-3-90194	UPPER PUMP GASKET
19	RP11-3-90200	COMPLETE OIL FILTER L.115
20	RP11-3-90202	1/2" BSP PLUG
21	RP11-4-404059	MOTOR SUPPORT PLATE
22	RP11-4-404290	OIL DRAIN PLUG WITH O-RING
23	RP11-4-404291	CHECK VALVE

Index No.	Part Number	Description
24	RP11-4-404438	OIL FILTER
25	RP11-4-404440	GASKET D.12X22X7
26	RP11-4-404499	PRESSURE LIMIT VALVE
27	RP11-4-404539	CARTRIDGE VALVE
28	RP11-4-404540	CARTRIDGE VALVE
29	RP11-4-404541	SOLENOID
<b>30</b>	<b>RP11-4-405602</b>	<b>INVERTER PCB 230V + DISSIPATOR</b>
31	RP11-4-406216	ELECTRIC MOTOR (WITHOUT INVERTER)
32	RP11-4206347	UNION 1/4" BOLT
33	RP11-4206391	COPPER WASHER 1/4"
34	RP11-4215146	EXTENSION M-F 1/4 BSP
35	RP11-5-401114	ELECTRIC VALVE WITH SUPPORT
36	RP11-5-401116	CONNECTING BLOCK WITH GASKETS
37	RP11-5-490581	MOTOR FLANGE WITH SCREWS
38	RP11-5-490583	FLEXIBLE COUPLING
<b>39</b>	<b>RP11-5-490587</b>	<b>SET OF PUMP GASKET</b>
40	RP11-5-490603	COMPLETE PUMP GASKET
41	RP11-5-490632	SET OF ELECTRIC VALVE GASKETS
42	RP11-5-491020	PUMP 1,7CC WITH GASKETS
43	RP11-5-491021	PUMP FLANGE WITH GASKET
44	RP11-5-491022	FIXING KIT
45	RP11-5-491023	OIL TANK 5L.

# HYDRAULIC POWER UNIT

VERSION PRODUCED FROM S/N IPE774970



[RETURNS TO OVERALL](#)

## TCX3000 Tire Changer

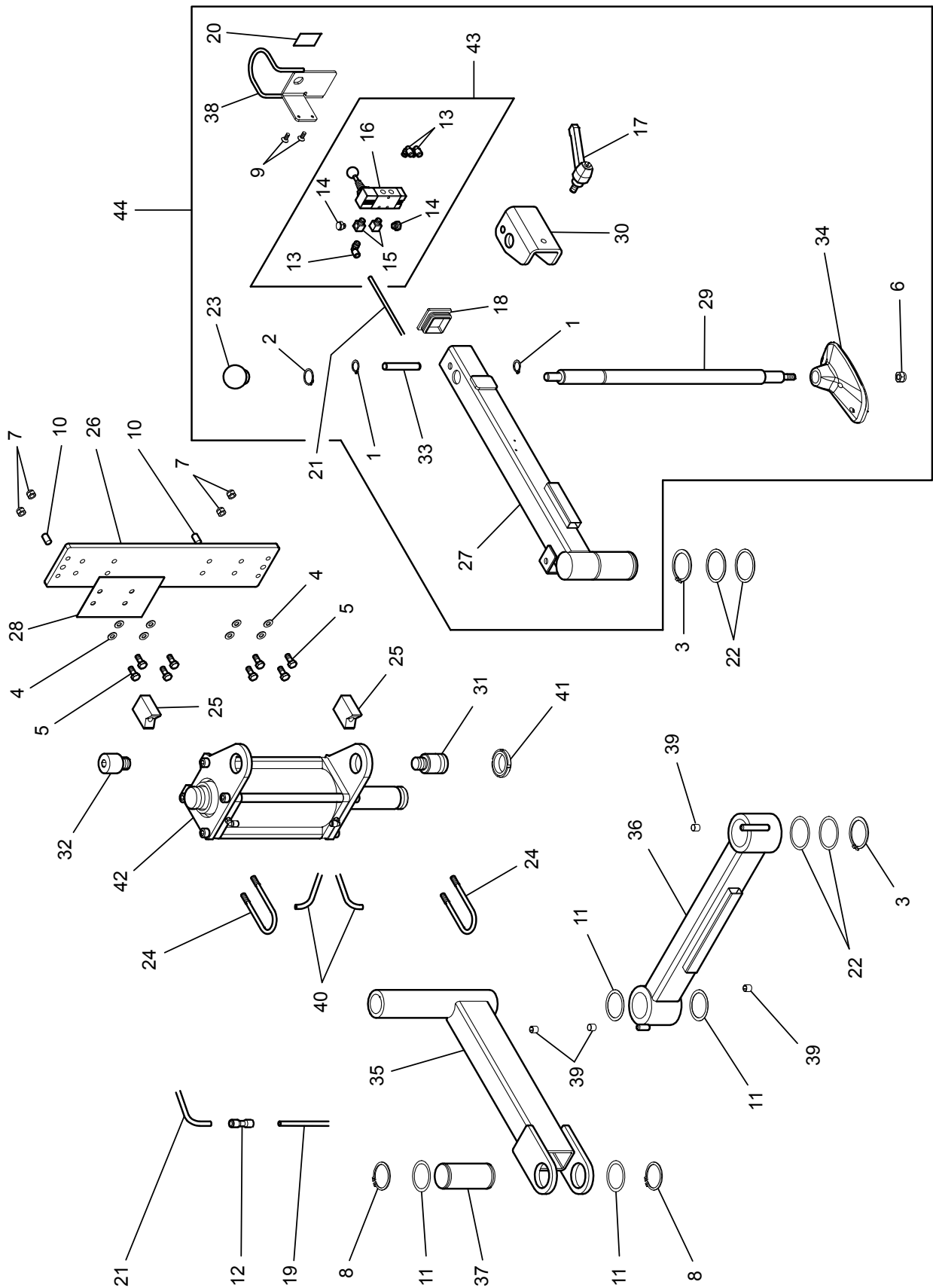
REFER TO NEXT SHEET FOR PARTS DESCRIPTION LISTING

Index No.	Part Number	Description
1	RP11-2-00212	WASHER FOR HEX CAP SCREW M8
2	RP11-2-01299	SOCKET HEAD CAP SCREW M6X16
3	RP11-2-00372	HEXAGON HEAD CAP SCREW M8X16
4	RP11-4-404462	CABLE FOR ELECTRIC MOTOR
5	RP11-4-137650	PRESSURE LIMIT VALVE
6	RP11-4-137630	SUCTION PIPE 3/8 L=121
7	RP11-2-00901	SOCKET HEAD CAP SCREW M8X50
8	RP11-2-01020	NUT WITH POLYAMIDE RING M8
9	RP11-2-02032	SOCKET COUNTERSUNK SCREW M8X30
10	RP11-2-01148	SOCKET HEAD CAP SCREW M8X60
11	RP11-2-91647	CROSS PAN HEAD SCREW M5X12
12	RP11-86990279	RETURN PIPE L=150
13	RP11-3-00259	CAP 1/4"
14	RP11-4212271	O-RING 110,72X3,53
15	RP11-3-02414	O-RING 3037 (2,62X9,19)
<b>16</b>	<b>RP11-3-90024</b>	<b>INTEGRATED MOTOR-INVERTER</b>
19	RP11-4-300184	SUCTION FILTER 3/8
21	RP11-4-404059	MOTOR SUPPORT PLATE

Index No.	Part Number	Description
23	RP11-4-137649	CHECK VALVE
27	RP11-4-404539	CARTRIDGE VALVE
28	RP11-4-404540	CARTRIDGE VALVE
29	RP11-4-404541	SOLENOID
<b>30</b>	<b>RP11-4-405602</b>	<b>INVERTER PCB 230V + DISSIPATOR</b>
31	RP11-4-406216	ELECTRIC MOTOR (WITHOUT INVERTER)
32	RP11-4206347	UNION 1/4" BOLT
33	RP11-4206391	COPPER WASHER 1/4"
34	RP11-4215146	EXTENSION M-F 1/4 BSP
35	RP11-5-401114	ELECTRIC VALVE WITH SUPPORT
36	RP11-4-137620	CONNECTING BLOCK
37	RP11-4-137203	POWER PACK KIT
38	RP11-3-04213	O-RING 2-015 NBR 90
41	RP11-5-490632	SET OF ELECTRIC VALVE GASKETS
42	RP11-4-137623	PUMP, 1.6CC WITH SCREWS
43	RP11-4-137622	CENTRAL MANIFOLD WITH VALVES
44	RP11-4-137202	FIXING KIT
45	RP11-4-137631	PLASTIC TANK 3 LITRES

# BP

Version produced up to s/n IKL727340



[RETURNS TO OVERALL](#)

## TCX3000 Tire Changer

REFER TO NEXT SHEET FOR PARTS DESCRIPTION LISTING

Index No.	Part Number	Description
1	RP11-2-00025	RETAINING RING FOR SHAFT D.12
2	RP11-2-00032	RETAINING RING FOR SHAFT D.25
3	RP11-2-00036	RETAINING RING FOR SHAFT D. 50
4	RP11-2-00212	WASHER FOR HEX CAP SCREW M8
5	RP11-2-00373	HEXAGON HEAD CAP SCREW M8X20
6	RP11-2-01019	NUT WITH POLYAMIDE RING M10
7	RP11-2-01020	NUT WITH POLYAMIDE RING M8
8	RP11-2-01062	RETAINING RING FOR SHAFT D.45
9	RP11-2-02694	COUNTERSUNK HEAD SCREW M4X10
10	RP11-2-03301	PARALLEL PIN ISO8734 A D.10X20
11	RP11-2-94105	WASHER D.45X56X0,5
12	RP11-3-00015	STRAIGHT CONNECTOR T.6
13	RP11-3-00057	ORIENTING ELBOW FITTING 1/8 T6
14	RP11-3-00181	SILENCER G.1/8
15	RP11-3-00228	ELBOW MALE ADAPTOR G1/8 M-F
16	RP11-3-01359	MANUALLY ACTUATED VALVE G1/8
17	RP11-3-01613	ADJUSTABLE LEVER M10X20 L.80
18	RP11-3-02237	PLASTIC CAP 50X50X3,5
19	RP11-3011188	RILSAN HOSE D.6-4 L.1800
20	RP11-3013640	DECAL, ARROWS UP-DOWN
21	RP11-3016511	RILSAN HOSE D.6-4 L.2150
22	RP11-3019488	WASHER 50.5X60X1

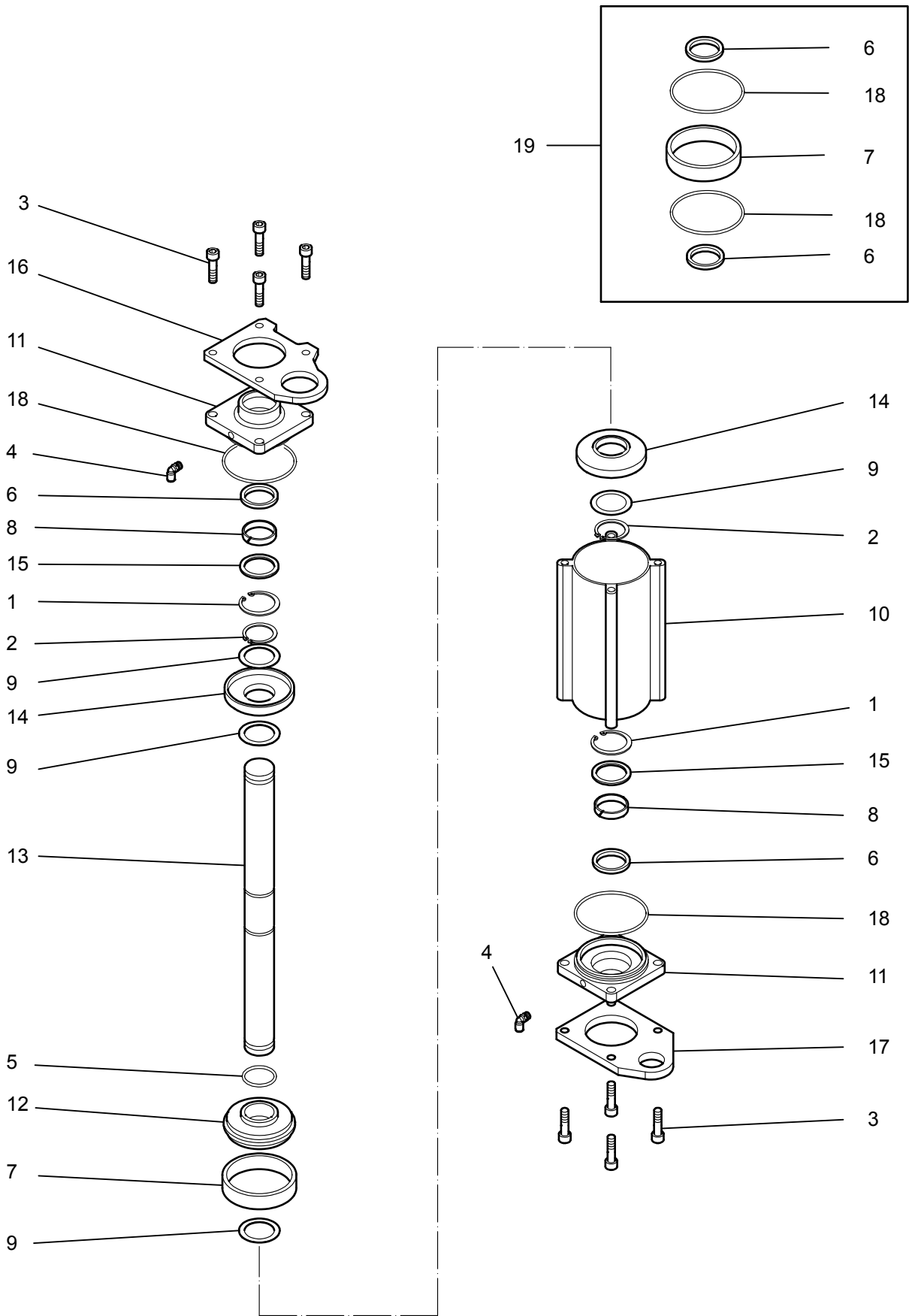
Index No.	Part Number	Description
23	RP11-3305242	PLASTIC BALL KNOB
24	RP11-4-403125	CLIP
25	RP11-4-403126	SPACER
26	RP11-4-403128	BASE
27	RP11-4-403136	ROTATING ARM
28	RP11-4-403137	STEEL STRIP
29	RP11-4-403748	SHAFT D. 25
30	RP11-4-404137	VERTICAL LOCKING PLATE
31	RP11-4-404178	INFERIOR HUB
32	RP11-4-404181	SUPERIOR HUB
33	RP11-4-404300	LOCKING PIN
34	RP11-4-404958	BEAD PRESSING PAD
35	RP11-4-405255	CONTROL ARM L=435
36	RP11-4-405260	ARM
37	RP11-4-405263	PIN D.45
38	RP11-4-405697	VALVE SUPPORT
39	RP11-4-405706	PIN PROTECTION
40	RP11-4-405725	RILSAN HOSE D.6-4 L.1900
41	RP11-4215918	SELF-LOCKING NUT
42	RP11-5-401603	CYLINDER D.100X120
43	RP11-5-401604	CONTROL VALVE
44	RP11-5-491026	COMPLETE BP CONTROL ARM



Index No.	Part Number	Description
1	RP11-2-00025	RETAINING RING FOR SHAFT D.12
2	RP11-2-00032	RETAINING RING FOR SHAFT D.25
3	RP11-2-00036	RETAINING RING FOR SHAFT D. 50
4	RP11-2-00212	WASHER FOR HEX CAP SCREW M8
5	RP11-2-00373	HEXAGON HEAD CAP SCREW M8X20
6	RP11-4-103846	SPACER
7	RP11-2-01020	NUT WITH POLYAMIDE RING M8
8	RP11-2-01062	RETAINING RING FOR SHAFT D.45
9	RP11-2-02694	COUNTERSUNK HEAD SCREW M4X10
10	RP11-2-03301	PARALLEL PIN ISO8734 A D.10X20
11	RP11-2-94105	WASHER D.45X56X0,5
12	RP11-3-00015	STRAIGHT CONNECTOR T.6
13	RP11-3-00057	ORIENTING ELBOW FITTING 1/8 T6
14	RP11-3-00181	SILENCER G.1/8
15	RP11-3-00228	ELBOW MALE ADAPTOR G1/8 M-F
<b>16</b>	<b>RP11-3-01359</b>	<b>MANUALLY ACTUATED VALVE G1/8</b>
17	RP11-3-01613	ADJUSTABLE LEVER M10X20 L.80
18	RP11-3-02237	PLASTIC CAP 50X50X3,5
19	RP11-3011188	RILSAN HOSE D.6-4 L.1800
20	RP11-3013640	DECAL, ARROWS UP-DOWN
21	RP11-3016511	RILSAN HOSE D.6-4 L.2150
22	RP11-3019488	WASHER 50.5X60X1

Index No.	Part Number	Description
23	RP11-3305242	PLASTIC BALL KNOB
24	RP11-4-403125	CLIP
25	RP11-4-403126	SPACER
26	RP11-4-403128	BASE
27	RP11-4-403136	ROTATING ARM
28	RP11-4-403137	STEEL STRIP
29	RP11-4-132348	SHAFT D. 25
30	RP11-4-404137	VERTICAL LOCKING PLATE
31	RP11-4-404178	INFERIOR HUB
32	RP11-4-404181	SUPERIOR HUB
33	RP11-4-404300	LOCKING PIN
34	RP11-4-106888	BEAD PRESSING PAD
35	RP11-4-405255	CONTROL ARM L=435
36	RP11-4-405260	ARM
37	RP11-4-405263	PIN D.45
38	RP11-4-405697	VALVE SUPPORT
39	RP11-4-405706	PIN PROTECTION
40	RP11-4-405725	RILSAN HOSE D.6-4 L.1900
41	RP11-4215918	SELF-LOCKING NUT
42	RP11-5-401603	CYLINDER D.100X120
43	RP11-5-401604	CONTROL VALVE
44	RP11-2-00322	SOCKET HEAD CAP SCREW M8X30

# BP CYLINDER



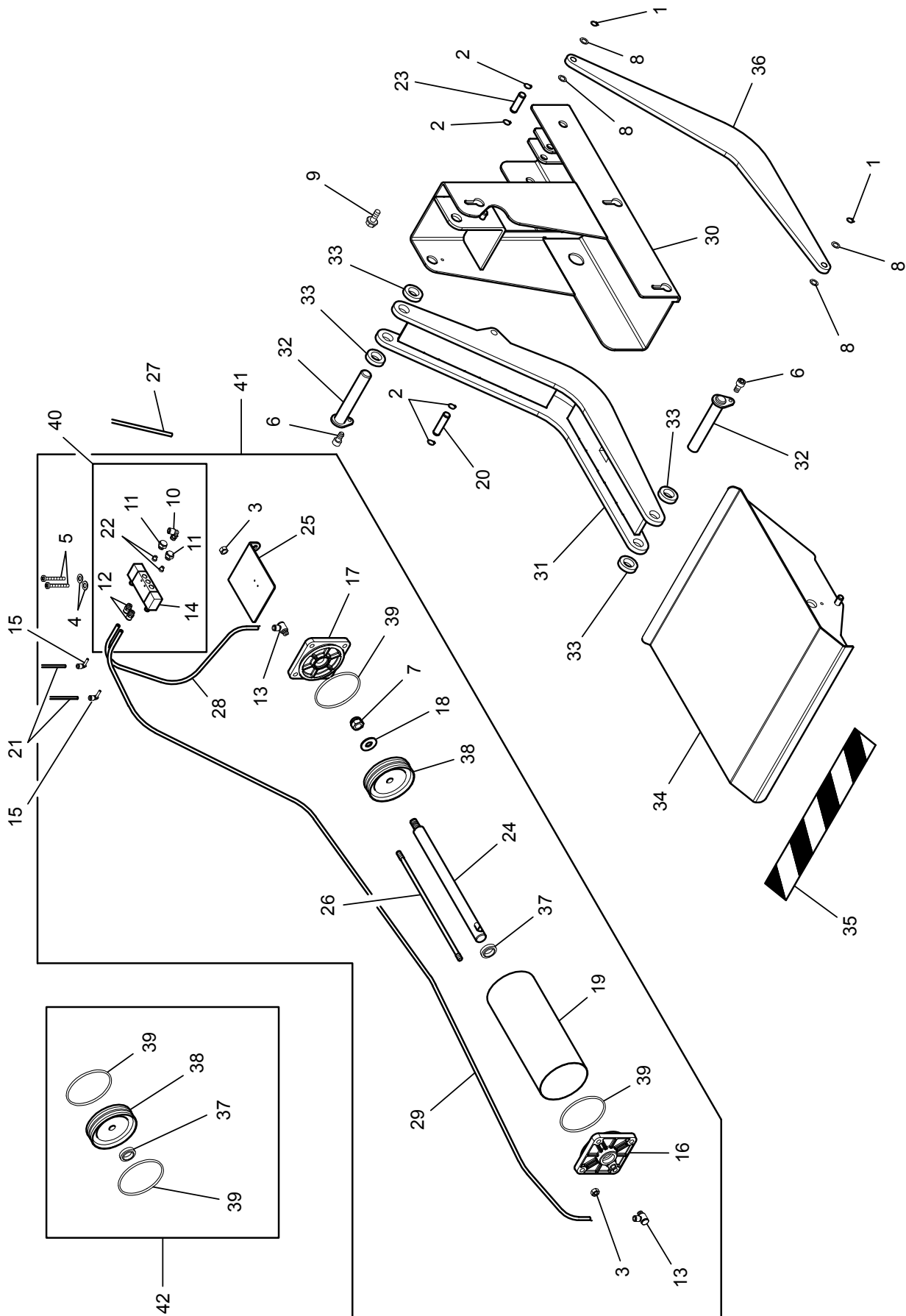
[RETURNS TO OVERALL](#)

Index No.	Part Number	Description
1	RP11-2-00014	RETAINING RING FOR BORE D.52
2	RP11-2-00792	RETAINING RING FOR SHAFT D.40
3	RP11-2-71336	SOCKET HEAD CAP SCREW M 10X40
4	RP11-3-00057	ORIENTING ELBOW FITTING 1/8 T6
5	RP11-3-01923	O-RING 4162 (3.53X40.86)
6	RP11-3-01925	LIPPED GASKET RPB 40-50-6
7	RP11-3-02204	PISTON GASKET D. 100
8	RP11-3-02205	WEAR RING FOR ROD D. 40
9	RP11-3017419	WASHER 40.5X55X1
10	RP11-4-403119	CASING D. 100

Index No.	Part Number	Description
11	RP11-4-403120	CYLINDER HEAD
12	RP11-4-403121	PISTON D. 100
13	RP11-4-403122	CYLINDER SHAFT
14	RP11-4-403140	SPACER
15	RP11-4-403991	PLASTIC WASHER D. 41X52X3
16	RP11-4-405264	FRONT FLANGE
17	RP11-4-405265	REAR FLANGE
18	RP11-4217850	O-RING 4362 (3.53X91.67)
<b>19</b>	<b>RP11-5-491065</b>	<b>SET OF GASKETS</b>

# WHEEL LIFTER

## WHEEL LIFTER (OPTIONAL)



[RETURNS TO OVERALL](#)

### TCX3000 Tire Changer

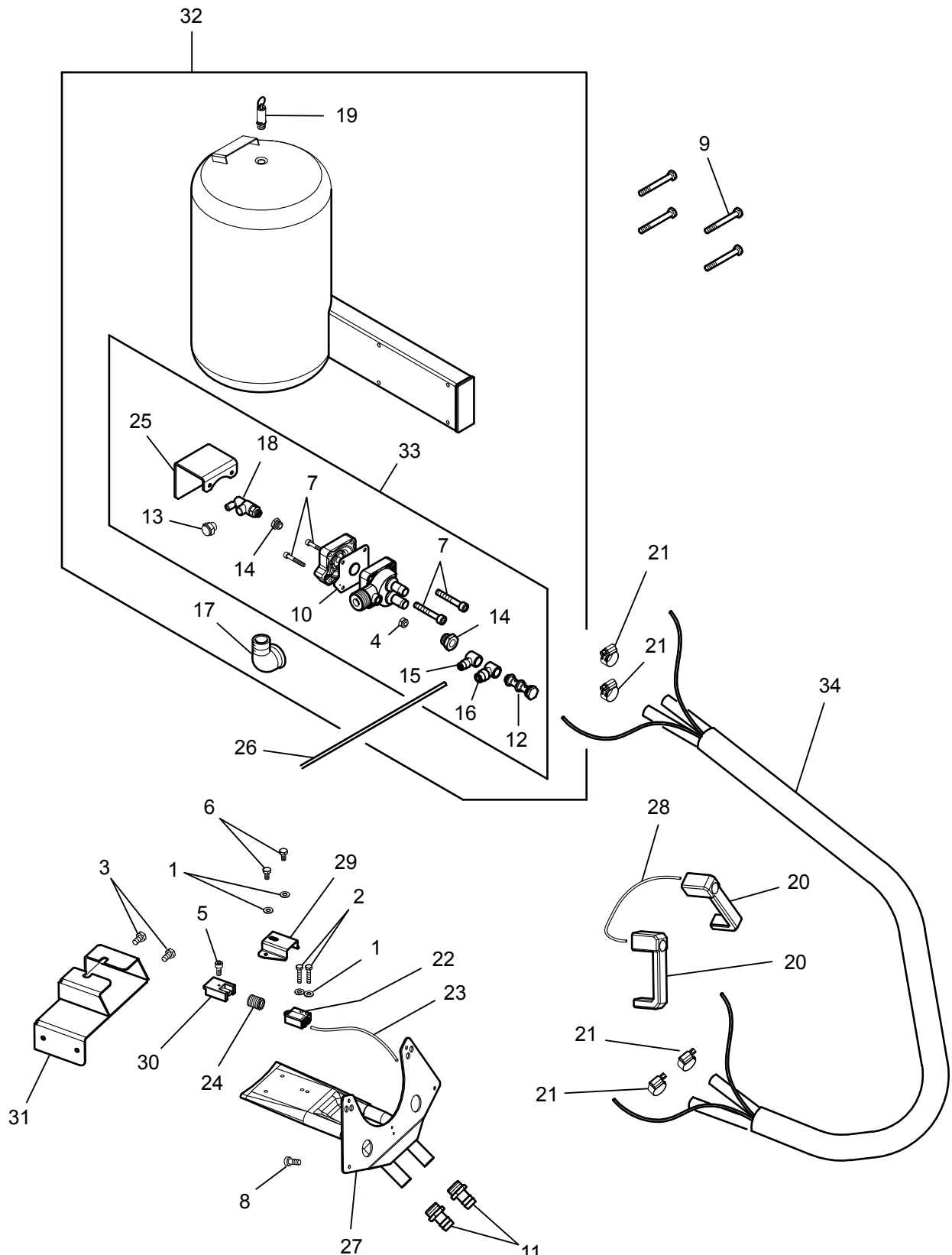
REFER TO NEXT SHEET FOR PARTS DESCRIPTION LISTING

Index No.	Part Number	Description
1	RP11-2-00023	RETAINING RING FOR SHAFT D.10
2	RP11-2-00025	RETAINING RING FOR SHAFT D.12
3	RP11-2-00151	NUT M8
4	RP11-2-00208	WASHER FOR HEX CAP SCREW M3
5	RP11-2-00577	CROSS PAN HEAD SCREW M3X25
6	RP11-2-00715	SOCKET HEAD CAP SCREW M6X12
7	RP11-2-01021	NUT WITH POLYAMIDE RING M12
8	RP11-2-03514	WASHER D.10X16X0,5
9	RP11-2-03532	HEXAGON FLANGE BOLTS M8X20
10	RP11-3-00057	ORIENTING ELBOW FITTING 1/8 T6
11	RP11-3-00181	SILENCER G.1/8
12	RP11-3-00476	STRAIGHT MALE ADAPTOR G1/8 T.6
13	RP11-3-01718	ORIENTING ELBOW FITTING 1/8 T6
14	RP11-3-02225	PNEUMATIC VALVE 115 VPR 1/8"
15	RP11-3-02322	ELBOW FITTING C4 T4
16	RP11-3009469	CYLINDER FRONT FLANGE D.90
17	RP11-3009470	CYLINDER REAR FLANGE D.90
18	RP11-3010677	WASHER D. 12,5X30X3
19	RP11-3015315	CASING FOR CYLINDER D.90
20	RP11-3015324	PIN
21	RP11-3016732	RILSAN HOSE D.4-2 L.180

Index No.	Part Number	Description
22	RP11-3316425	NARROWING PIECE D. 1,5
23	RP11-4-402556	CYLINDER PIN
24	RP11-4-404591	SHAFT FOR CYLINDER
25	RP11-4-404593	VALVE SUPPORT
26	RP11-4-404594	TIE ROD M8
27	RP11-4-404933	RILSAN HOSE D.6-4 L.120
28	RP11-4-404934	RILSAN HOSE D.6-4 L.140
29	RP11-4-405077	RILSAN HOSE D.6-4 L.310
30	RP11-4-405167	LIFT FRAME
31	RP11-4-405178	LIFT ARM
32	RP11-4-405181	PIN D.20
33	RP11-4-405182	SPACER
34	RP11-4-405186	PLATFORM
35	RP11-4-405458	PLATFORM LABEL
36	RP11-4-405472	ANTI-ROTATION SHAFT
37	RP11-4206114	LIPPED GASKET NSW 20-30-6
38	RP11-4209463	GASKET WHIT FLANGE D.90
39	RP11-4209464	O-RING 4325 (3.53x82.14)
40	RP11-5-401104	VALVE 115 VPR 1/8" WITH UNIONS
41	RP11-5-401242	COMPLETE CYLINDER D.90X195
42	RP11-5-490272	SET OF GASKET CYLINDER D.90

# TUBELESS INFLATING UNIT

Version produced up to January 2020



[RETURNS TO OVERALL](#)

**TCX3000 Tire Changer**

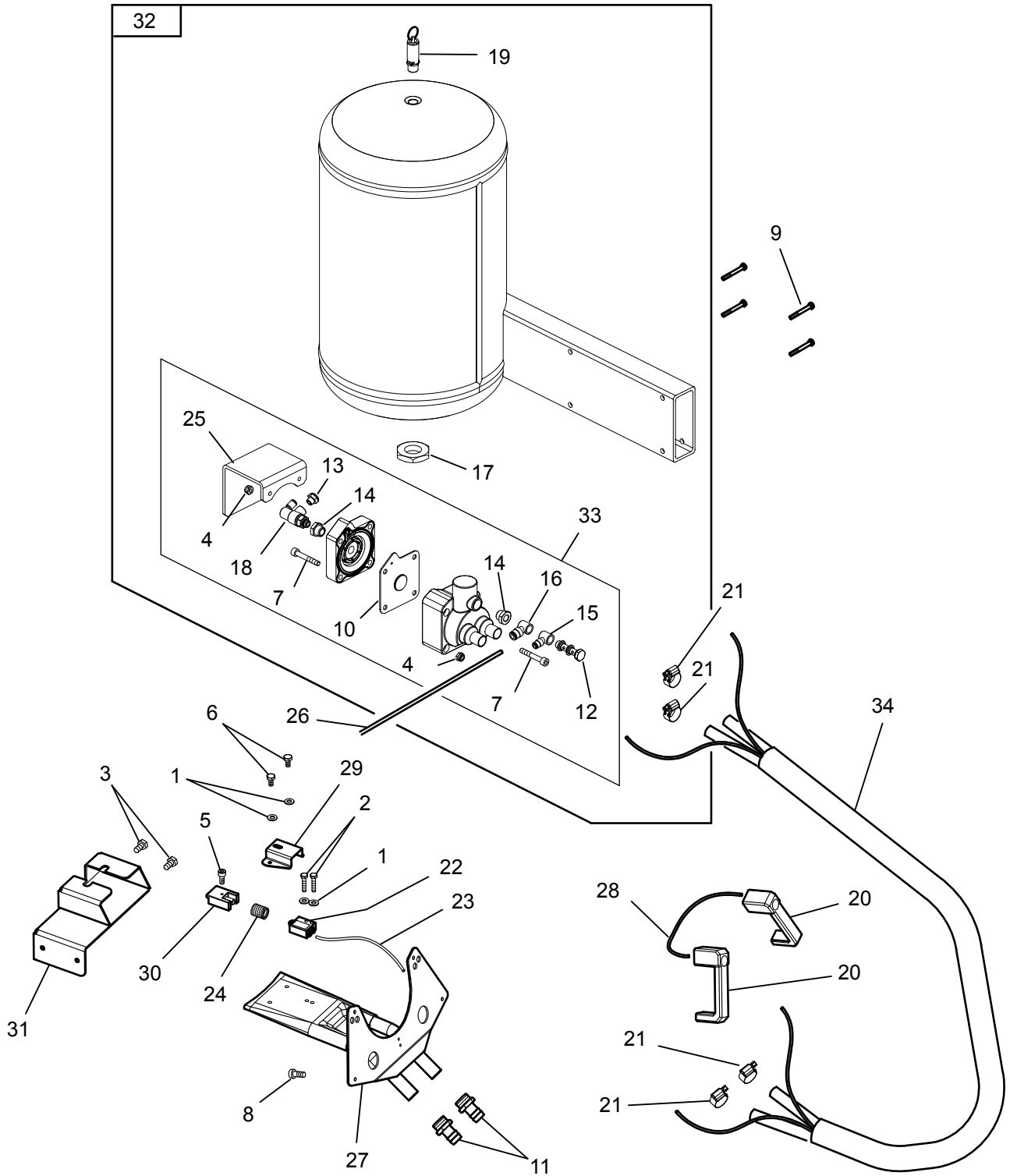
REFER TO NEXT SHEET FOR PARTS DESCRIPTION LISTING

Index No.	Part Number	Description
1	RP11-2-00209	WASHER FOR HEX CAP SCREW M4
2	RP11-2-00351	HEXAGON HEAD CAP SCREW M4X20
3	RP11-2-00360	HEXAGON HEAD CAP SCREW M6X12
4	RP11-2-01979	NUT WITH POLYAMIDE RING M6
5	RP11-2-02080	SOCKET HEAD CAP SCREW M4X10
6	RP11-2-02336	HEXAGON HEAD CAP SCREW M4X8
7	RP11-2-02376	SOCKET HEAD CAP SCREW M6X40
8	RP11-2-03106	SOCKET HEAD CAP SCREW M5X12
9	RP11-2-94005	HEXAGON HEAD CAP SCREW M6X50
10	RP11-2411999	DIAPHRAGM
11	RP11-3-00008	HOSE CONNECTION 1/2" T17
12	RP11-3-00075	BANJO STEM DOUBLE - SHORT G1/8
13	RP11-3-00181	SILENCER G.1/8
14	RP11-3-00269	REDUCTION 1/4" M - 1/8" F
15	RP11-3-00514	SINGLE BANJO BODY G1/8 T.4
16	RP11-3-00515	SINGLE BANJO BODY G1/8 T.6
17	RP11-3-00961	L-UNION 1"

Index No.	Part Number	Description
18	RP11-3-01175	VALVE
19	RP11-3-01573	SAFETY VALVE G1/4"
20	RP11-3-90014	CONTROL HANDLE
21	RP11-3-90076	HOSE CLAMP D.18-28
22	RP11-3-90108	VALVE 3/2 NC P
23	RP11-3015280	RILSAN HOSE D.4-2 L.250
24	RP11-3015546	HELICAL COMPRESSION SPRING
25	RP11-3020962	VALVE PROTECTION
26	RP11-3093959	RILSAN HOSE D.6-4 L. 800
27	RP11-4-404655	BLAST INLET
28	RP11-4-404915	RILSAN HOSE D.4-2 L.400
29	RP11-4-405537	COVER
30	RP11-4-405538	CURSOR
31	RP11-4-405585	BLAST HOLDER
32	RP11-5-401361	COMPLETE TANK
33	RP11-5-401363	COMPLETE INFLATING VALVE
34	RP11-5-491045	BLAST HOSE

# TUBELESS INFLATING UNIT

Version produced from February 2020



OPTIONAL

[RETURNS TO OVERALL](#)

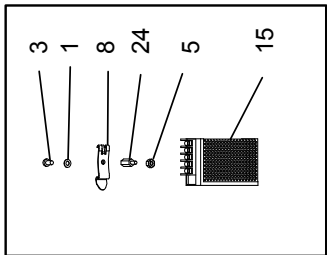
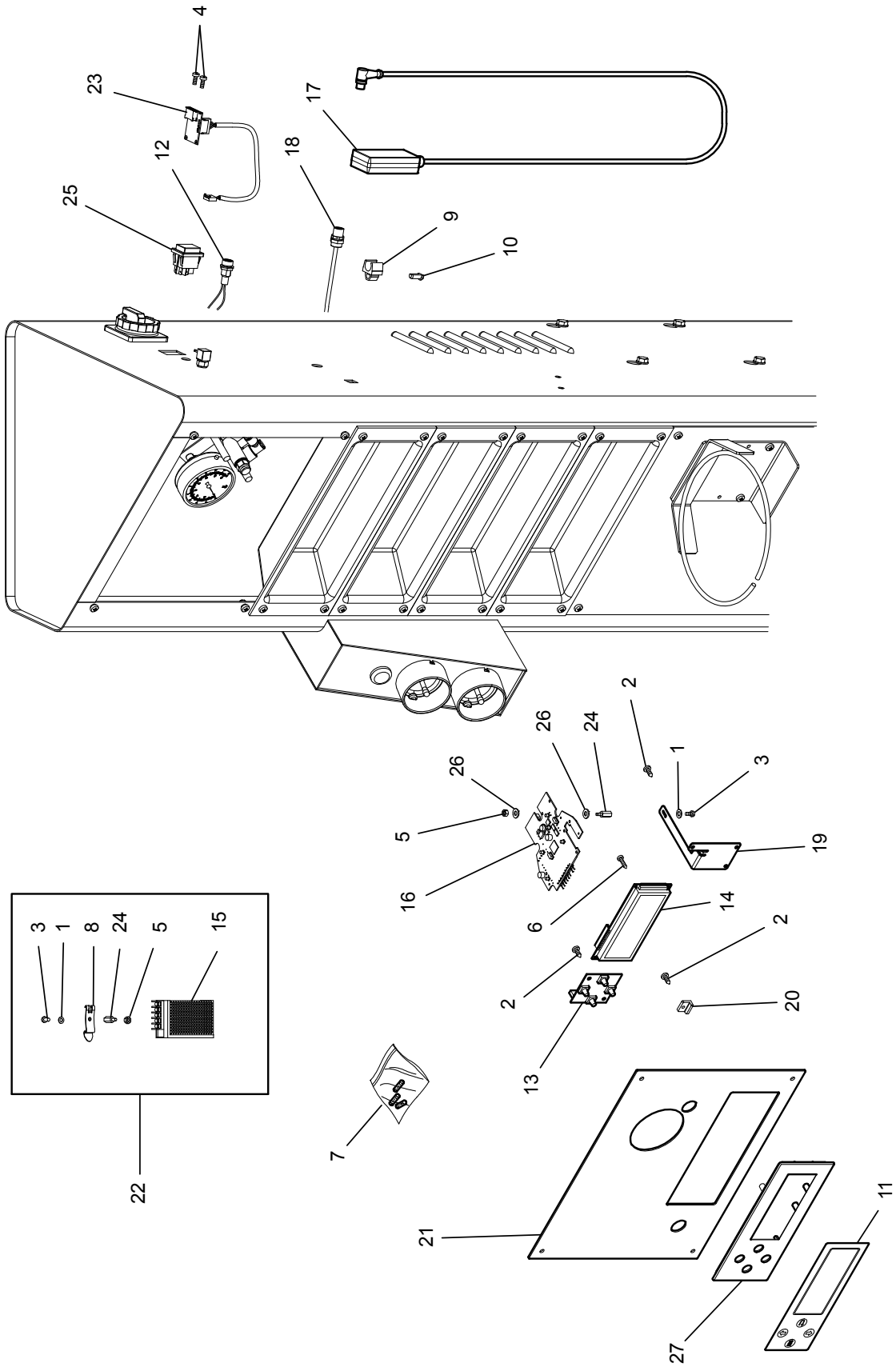
**TCX3000 Tire Changer**

REFER TO NEXT SHEET FOR PARTS DESCRIPTION LISTING

Index No.	Part Number	Description
1	RP11-2-00209	WASHER FOR HEX CAP SCREW M4
2	RP11-2-00351	HEXAGON HEAD CAP SCREW M4X20
3	RP11-2-00360	HEXAGON HEAD CAP SCREW M6X12
4	RP11-2-01979	NUT WITH POLYAMIDE RING M6
5	RP11-2-02080	SOCKET HEAD CAP SCREW M4X10
6	RP11-2-02336	HEXAGON HEAD CAP SCREW M4X8
7	RP11-2-02376	SOCKET HEAD CAP SCREW M6X40
8	RP11-2-03106	SOCKET HEAD CAP SCREW M5X12
9	RP11-2-94005	HEXAGON HEAD CAP SCREW M6X50
10	RP11-2411999	DIAPHRAGM
11	RP11-3-00008	HOSE CONNECTION 1/2" T17
12	RP11-3-00075	BANJO STEM DOUBLE - SHORT G1/8
13	RP11-3-00181	SILENCER G.1/8
14	RP11-3-00269	REDUCTION 1/4" M - 1/8" F
15	RP11-3-00514	SINGLE BANJO BODY G1/8 T.4
16	RP11-3-00515	SINGLE BANJO BODY G1/8 T.6
17	RP11-3-04469	NUT G1 H8

Index No.	Part Number	Description
18	RP11-3-01175	VALVE
19	RP11-3-01573	SAFETY VALVE G1/4"
20	RP11-3-90014	CONTROL HANDLE
21	RP11-3-90076	HOSE CLAMP D.18-28
22	RP11-3-90108	VALVE 3/2 NC P
23	RP11-3015280	RILSAN HOSE D.4-2 L.250
24	RP11-3015546	HELICAL COMPRESSION SPRING
25	RP11-3020962	VALVE PROTECTION
26	RP11-3093959	RILSAN HOSE D.6-4 L. 800
27	RP11-4-404655	BLAST INLET
28	RP11-4-404915	RILSAN HOSE D.4-2 L.400
29	RP11-4-405537	COVER
30	RP11-4-405538	CURSOR
31	RP11-4-405585	BLAST HOLDER
32	RP11-5-401361	COMPLETE TANK
33	RP11-262214	COMPLETE INFLATING VALVE
34	RP11-5-491045	BLAST HOSE

# TPM



22

[RETURNS TO OVERALL](#)

TPM (OPTIONAL)

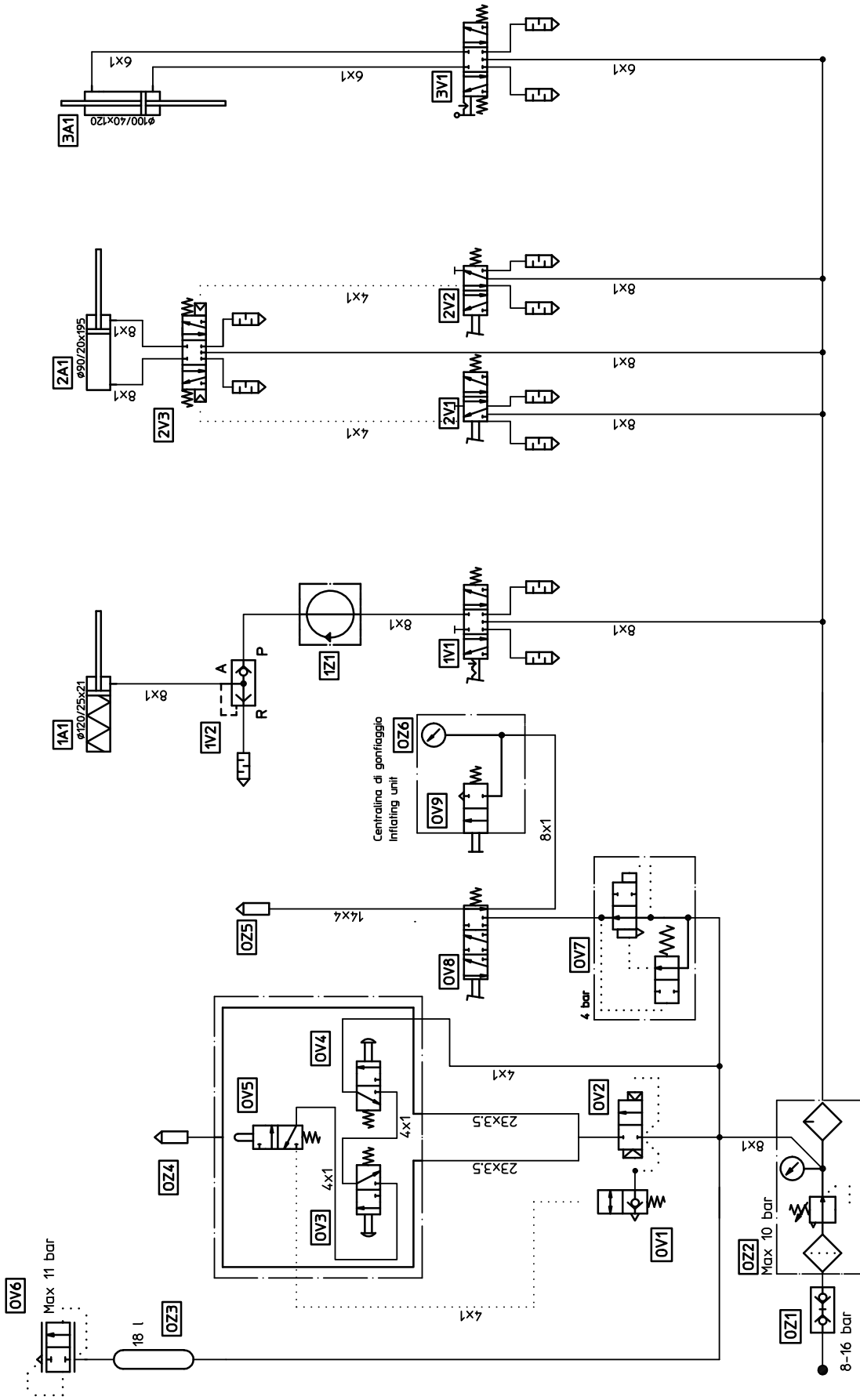
**TCX3000 Tire Changer**

REFER TO NEXT SHEET FOR PARTS DESCRIPTION LISTING

Index No.	Part Number	Description
1	RP11-2-00208	WASHER FOR HEX CAP SCREW M3
2	RP11-2-01321	SELF-TAPPING SCREW D.3,5X9,5
3	RP11-2-02436	SLOTTED HEAD SCREW M3X6
4	RP11-2-03163	SLOTTED HEAD SCREW M2X12
5	RP11-2-71505	NUT M3
6	RP11-2-80167	SELF-TAPPING SCREW D.2,2X9,5
7	RP11-2201134	FUSES BAG
8	RP11-3-90013	FIXING CLIP
9	RP11-4-400693	INFLATING HOSE SUPPORT
10	RP11-4-400694	INFLATING HOSE SUPPORT PIN
11	RP11-4-404056	PUSH-BUTTON PANEL
12	RP11-4-404636	FUSE HOLDER
13	RP11-4-404665	TPM PRINTED CIRCUIT BOARD
14	RP11-4-404666	LCD MONITOR

Index No.	Part Number	Description
15	RP11-4-404667	TPM FEEDER
16	RP11-4-404668	TPM PC BOARD
17	RP11-4-404669	TPM ACTIVATOR
18	RP11-4-404684	CABLE FOR TPM ACTIVATOR
19	RP11-4-404733	PC BOARD SUPPORT
20	RP11-4-404737	PANEL STOP
21	RP11-4-405125	FRONT PANEL
22	RP11-5-401318	COMPLETE TPM FEEDER
23	RP11-5-401521	USB PC BOARD
24	RP11-9328315	STUD FOR BOARD
25	RP11-9433848	BIPOLAR SWITCH
26	RP11-9601850	PLASTIC WASHER D. 4
27	RP11-4-404725	TPM PANEL

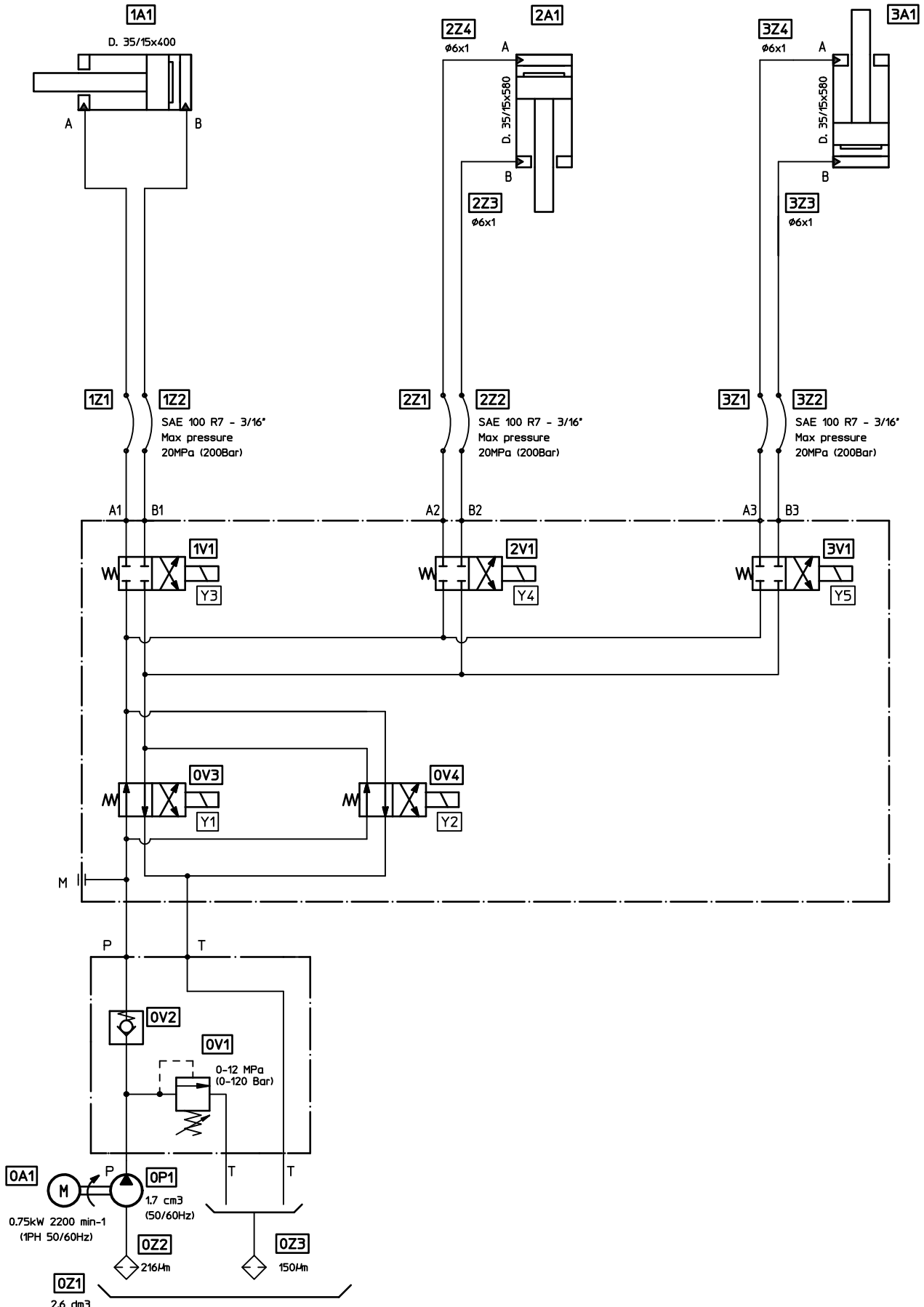
# PNEUMATIC DIAGRAM



[RETURNS TO OVERALL](#)

Index No.	Description
0V1	Pilot valve (optional)
0V2	Bead seating valve (optional)
0V3-0V4	Handle control (optional)
0V5	Safety valve (optional)
0V6	Safety valve ¼ (optional)
0V7	Quick inflating valve
0V8	GP control valve
0V9	Push button
0Z1	Quick union
0Z2	Water separator and press. regulator + lubricator
0Z3	Air tank (optional)
0Z4	Blast inlet (optional)
0Z5	Inflating head
0Z6	Pressure gauge
1A1	Locking cylinder
1V1	Self-centering valve
1V2	Quick air discharge valve
1Z1	Rotary union assembly
2A1	Lifting cylinder (optional)
2V1-2V2	Lifting valve (optional)
2V3	Lifting control valve (optional)
3A1	Carriage cylinder
3V1	Carriage control valve

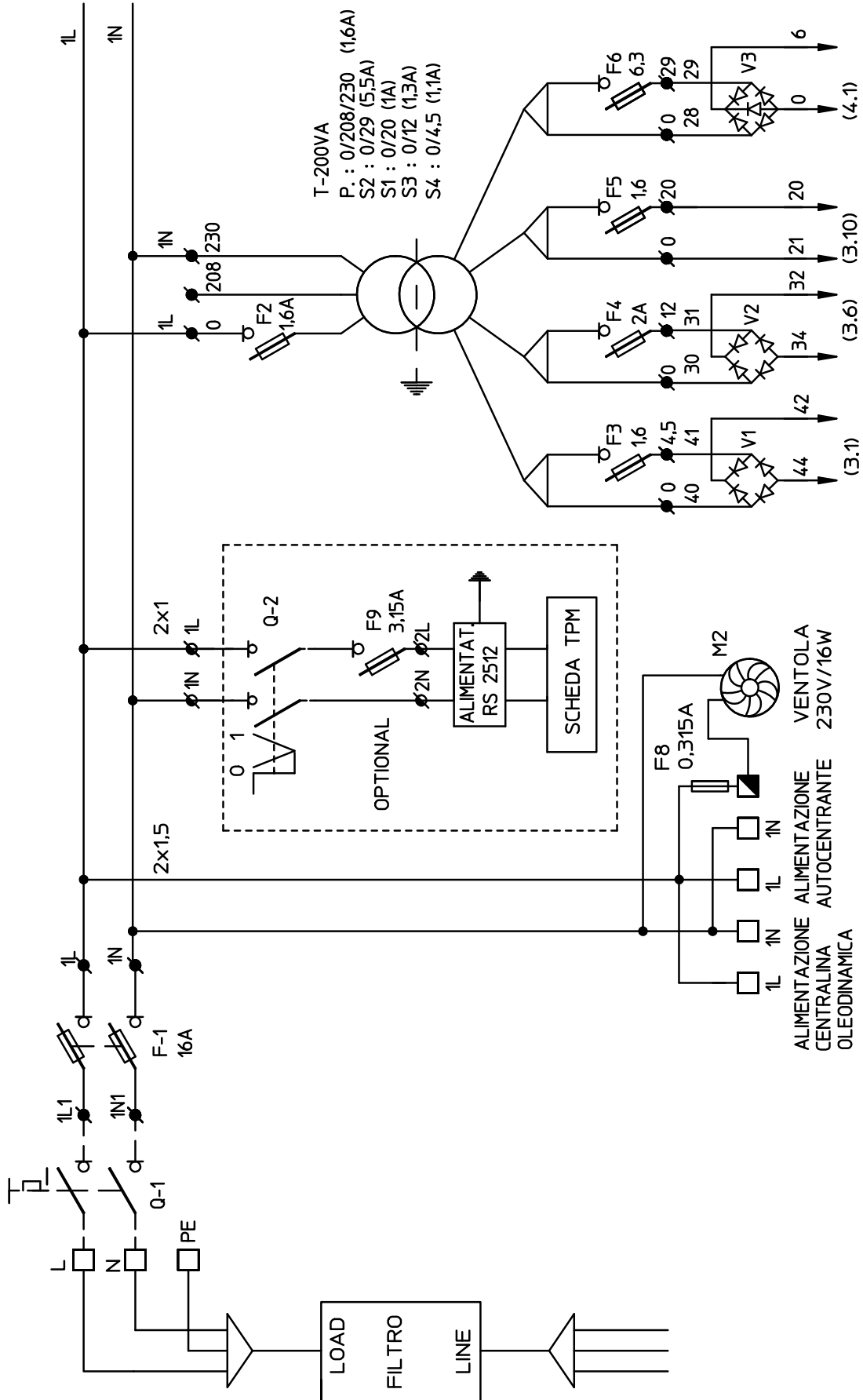
# HYDRAULIC DIAGRAM



[RETURNS TO OVERALL](#)

Index No.	Description
0A1	Hydraulic gearbox motor
0P1	Pump with gears
0V1	Pressure limit valve
0V2	Unidirectional valve
0V3-0V4	Circuit selection electric-valve
0Z1	Oil tank
0Z2	Suction filter
0Z3	Discharge filter
1A1	Horizontal carriage cylinder
1V1	Cylinder control electric-valve
1Z1-1Z2	Hose
2A1	Lower vertical carriage cylinder
2V1	Cylinder control electric-valve
2Z1-2Z2	Hose
2Z3-2Z4	Pipe
3A1	Upper vertical carriage cylinder
3V1	Cylinder control electric-valve
3Z1-3Z2	Hose
3Z3-3Z4	Pipe

# WIRE DIAGRAM



[RETURNS TO OVERALL](#)

## TCX3000 Tire Changer

REFER TO NEXT SHEET FOR PARTS DESCRIPTION LISTING

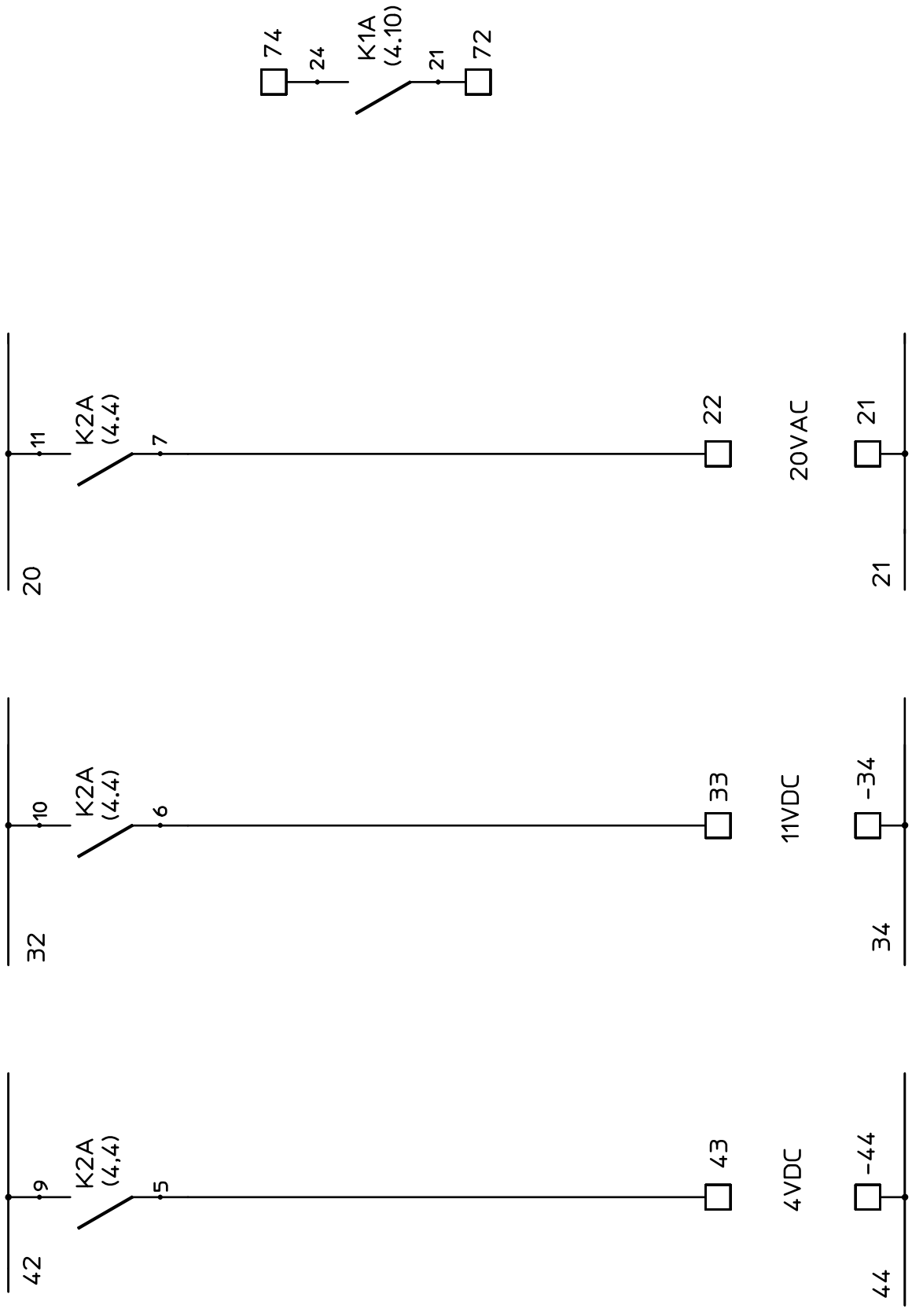
Index No.	Description
Q1	Main switch
F1	Fuse 16A
F8	Fuse 0.315A
M2	Axial fan
F9	Fuse 3.15A (optional)
Q2	Main switch TPM (optional)
F2-F3-F5	Fuse 1.6A
F4	Fuse 2A
F6	Fuse 6.3A
T	Transformer
V1-V2-V3	Diodes bridge

COMANDO CENTRALINA  
OLEODINAMICA

SCHEDA TELECAMERA

ALIMENTAZIONI  
ILLUMINAZIONE E LED

LASER



[RETURNS TO OVERALL](#)

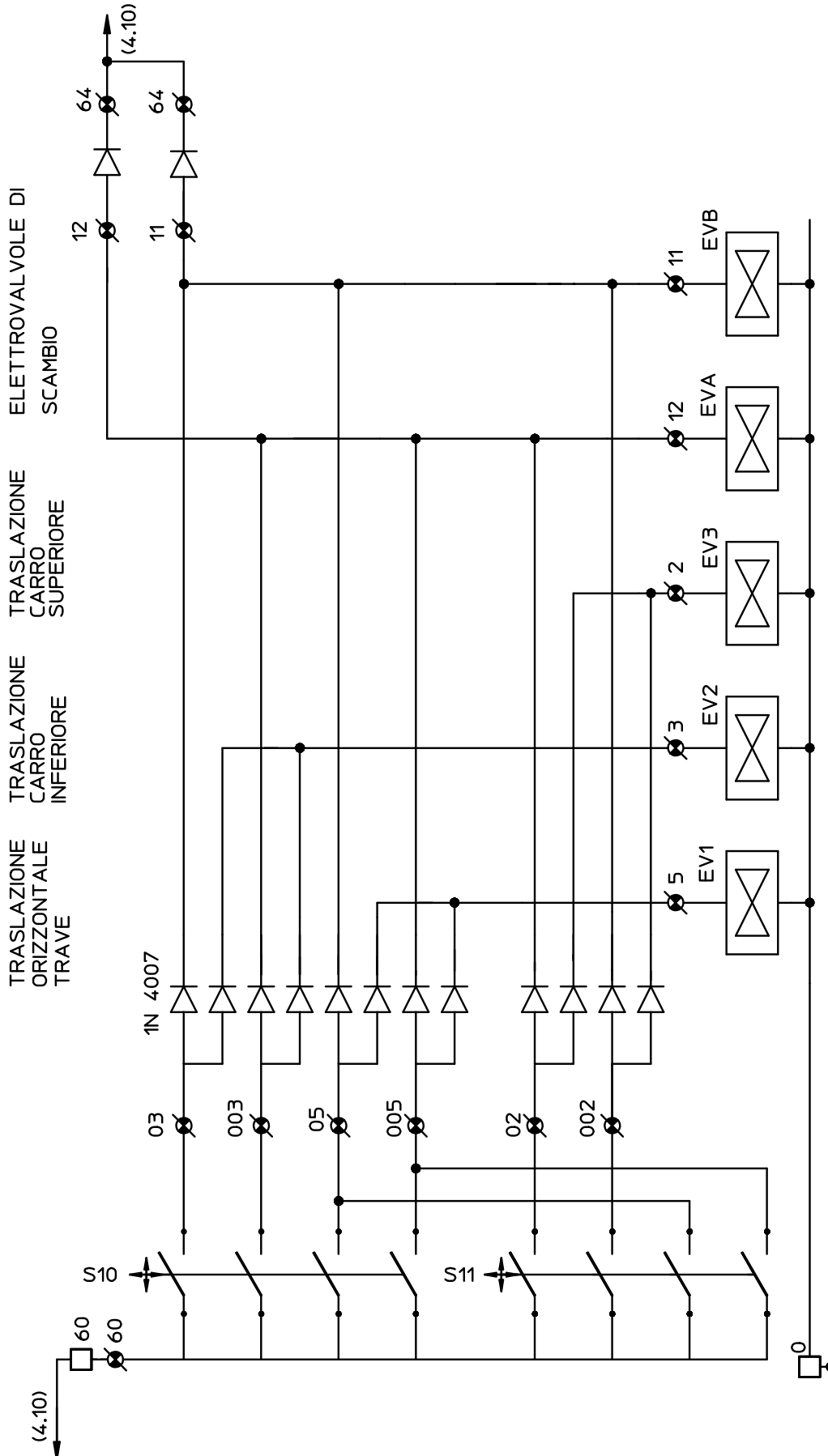
**TCX3000 Tire Changer**

REFER TO NEXT SHEET FOR PARTS DESCRIPTION LISTING





Index No.	Description
K2A	Relay
K1A	Relay
F7	Fuse 5A
KT	Timer
S4	Clockwise chuck rotation
S5	Anti-clockwise chuck rotation
S6	Clockwise chuck rotation
S7	Anti-clockwise chuck rotation
H0	Feeding warning light

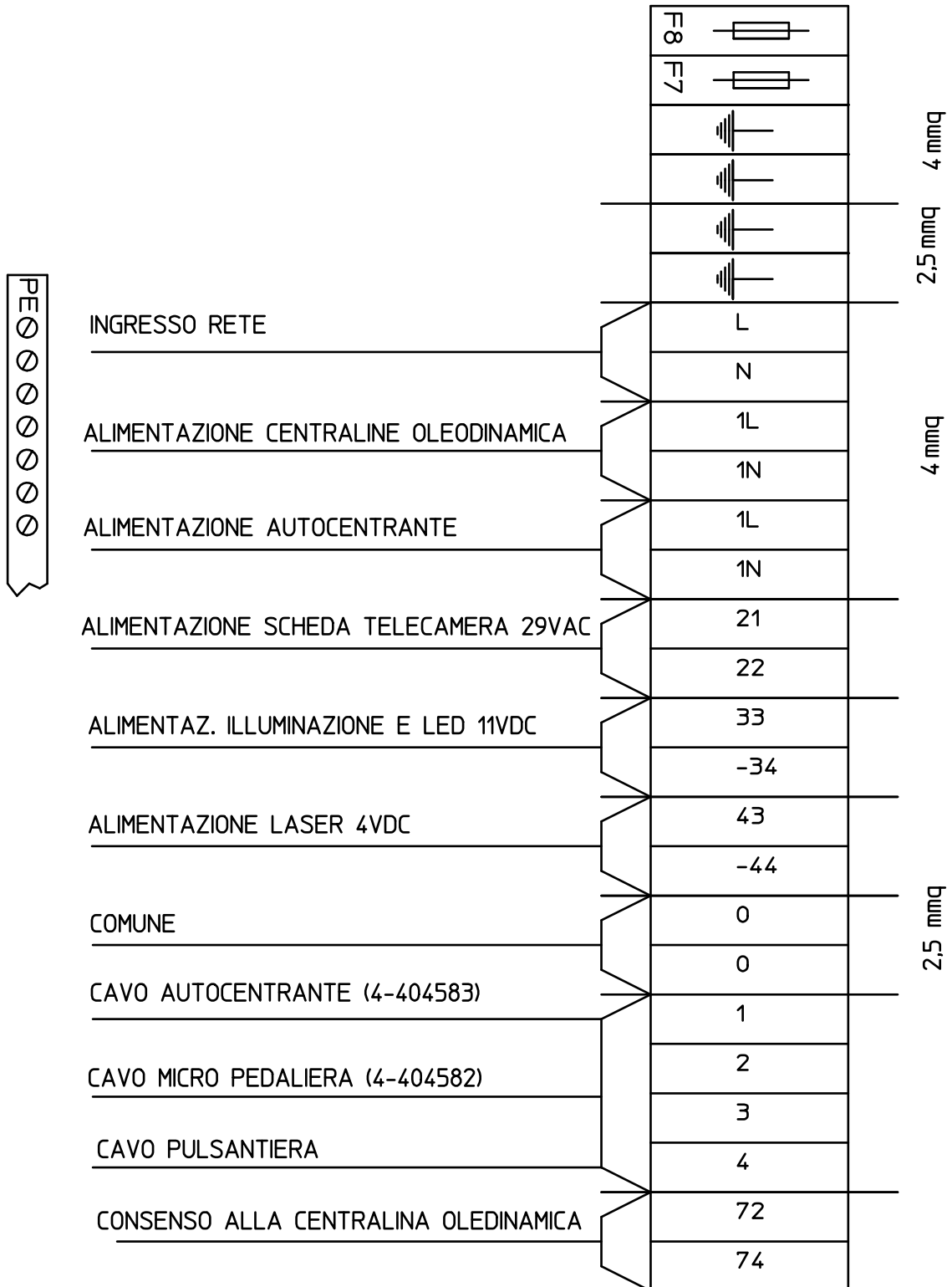


[RETURNS TO OVERALL](#)

### TCX3000 Tire Changer

REFER TO NEXT SHEET FOR PARTS DESCRIPTION LISTING





[RETURNS TO OVERALL](#)

