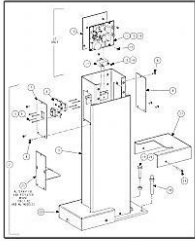
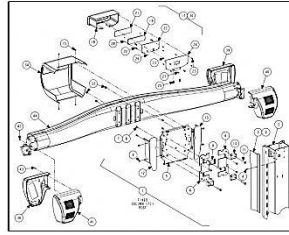


HAWKEYE SENSORS - **HS221**, HS421, HE421 AND QUICK CHECK



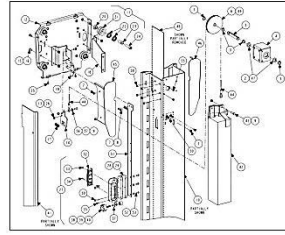
POST BASE FOR FLOOR MOUNT MODELS (PC-VL-4.0)

SHEET 3



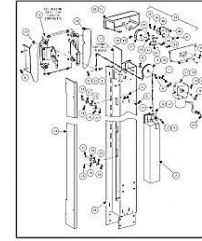
THUMB NAIL IMAGE TO GO TO SHEET

SHEET 4



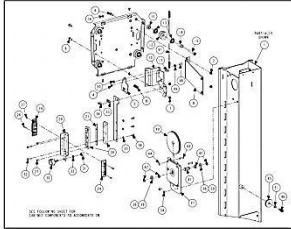
THUMB NAIL IMAGE TO GO TO SHEET

SHEET 5



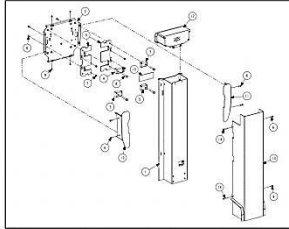
LEFT COLUMN (LJ2)

SHEET 6



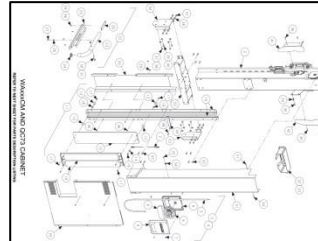
CABINET COLUMN AND OPTICS CABINET

SHEET 7



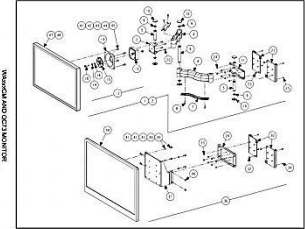
CABINET COLUMN AND OPTICS CABINET

SHEET 8



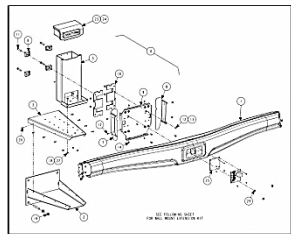
CABINET COLUMN AND OPTICS CABINET

SHEET 9



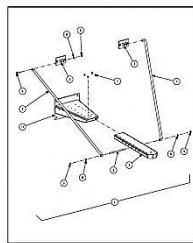
CABINET COLUMN AND OPTICS CABINET

SHEET 10

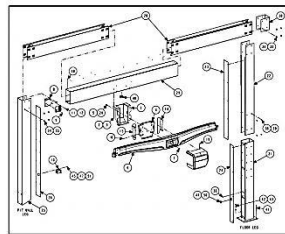


THUMB NAIL IMAGE TO GO TO SHEET

SHEET 11

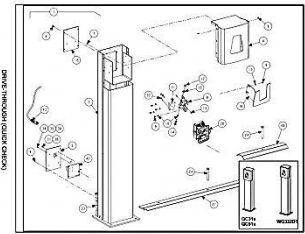


SHEET 12



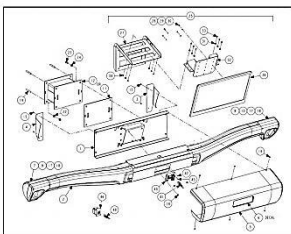
THUMB NAIL IMAGE TO GO TO SHEET

SHEET 13



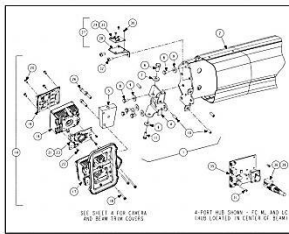
THUMB NAIL IMAGE TO GO TO SHEET

SHEET 14



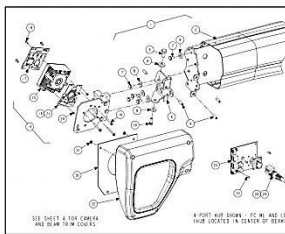
THUMB NAIL IMAGE TO GO TO SHEET

SHEET 15



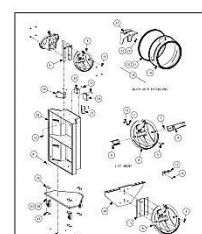
THUMB NAIL IMAGE TO GO TO SHEET

SHEET 16



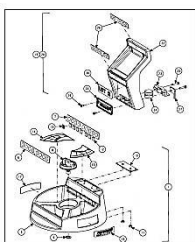
THUMB NAIL IMAGE TO GO TO SHEET

SHEET 17

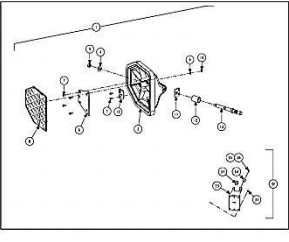


THUMB NAIL IMAGE TO GO TO SHEET

SHEET 18



SHEET 19



THUMB NAIL IMAGE TO GO TO SHEET

SHEET 20

(PDF navigation –
click on **THUMB NAIL IMAGE**
to go to sheet)

or click on
SHEET DESCRIPTION
in table on following page

HAWKEYE SENSORS - HS221, HS421, HE421 AND QUICK CHECK

REFER TO NEXT SHEET FOR PARTS DESCRIPTION LISTING

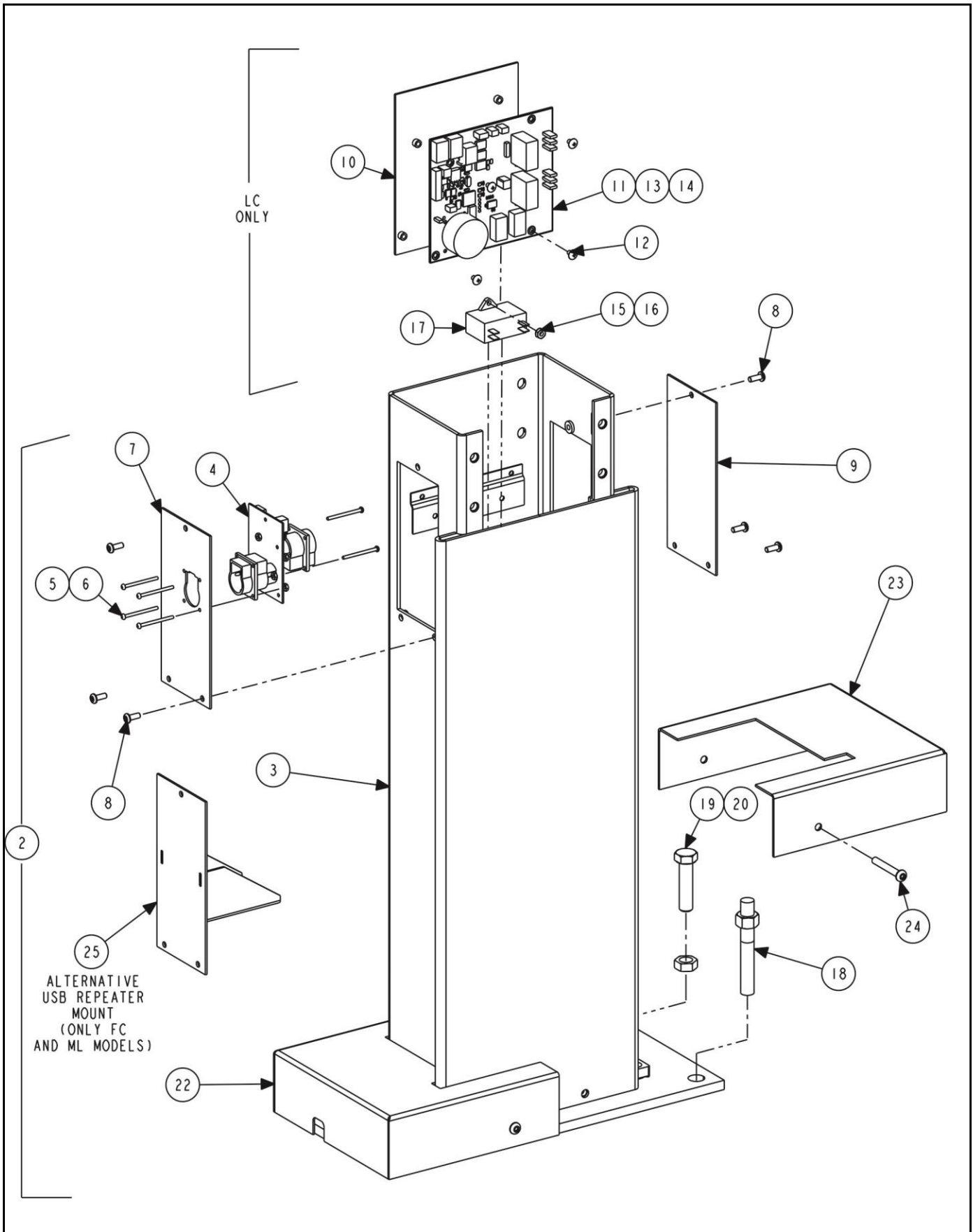
PARTS DESCRIPTION LISTING

Sheet No.	Description (<i>PDF navigation - click on description to go to sheet</i>)
3	POST BASE FOR FLOOR-MOUNT MODELS (FC, ML & LC)
4	FIXED COLUMN (FC) AND COMMON TRIM COVERS
5	MANUAL LIFT (ML)
6	LIFT COLUMN (LC / LZ)
7	CABINET MOUNT COLUMN (CM)
8	CABINET MOUNT COLUMN (QUICKCHECK)
9	WAxxxCM and QC CABINETS
10	WAxxxCM and QC MONITORS
11	WALL MOUNT (WM)
12	WALL MOUNT EXTENSION
13	PIT (PS & PD) / TWO-POST (FM)
14	DRIVE-THROUGH (QUICKCHECK)
15	DRIVE UNDER (QUICKCHECK)
16	HS421 AND HE421 CAMERAS
17	HS221 CAMERAS
18	HE421 ADAPTOR HANGERS, QC CART AND SPACERS
19	HE421 TARGETS
20	HS421 TARGETS AND HS421 ADAPTOR SUPPORTS

ASSOCIATED PARTS DRAWING REFERENCES

Parts Drawing	Description	Sensors
Form 4-110	ADAPTOR ASSEMBLIES (175-325-1)	All Hawkeye (HS) Sensors
Form 4-136	ICON AND PLUS REMOTE INDICATORS 30-418-1, 30-419-1, 30-421-1	HE and HS Sensors (Optional)
Form 4-161	QUICKGRIP ADAPTOR 175-409-1	All Hawkeye Elite (HE) Sensors and QuickCheck
Form 4-165	WA320, WT320, WA420 AND WT420 SERIES MOUNTED CABINETS	HE and HS Sensors
Form 4-169	CALIBRATION BAR AND ADAPTORS	HE and HS Sensors and QuickCheck
Form 4-174	WA370, WT370, WA470 AND WT470 SERIES COMPACT CABINETS	HE and HS Sensors and QuickCheck
Form 4-175	WA380, WT380, WA480 AND WT480 SERIES LARGE CABINETS	HE and HS Sensors





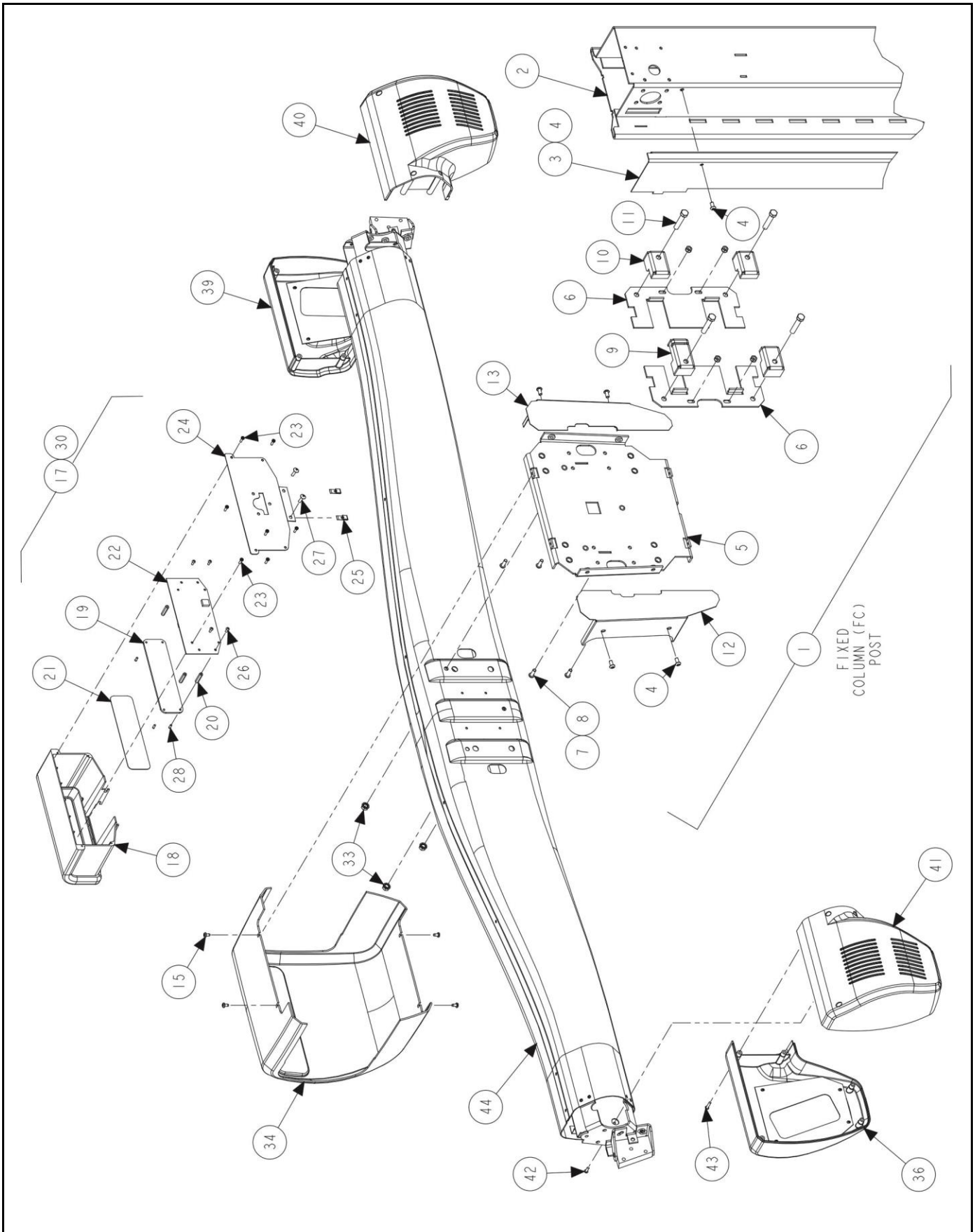
POST BASE FOR FLOOR-MOUNT MODELS (FC ML & LC)

REFER TO NEXT SHEET FOR PARTS DESCRIPTION LISTING

PARTS DESCRIPTION LISTING

Index No.	Part Number	Description	Qty.
1	233-103-1*	POST, ELITE LC BASE (Consisting Of:)	1
2	233-102-1*	POST ASSEMBLY, ELITE BASE (Consisting Of:)	1
3	72-491-1-PPP*	BASE, ELITE LOWER WELD	1
4 - 7	73-1078-1-PPP	PANEL, ELITE HUB-REPEATER (Consisting Of:)	1
4	45-1345-1	USB REPEATER PLUS PORT	1
5	75-384-2	ROUND HEAD MACHINE SCREW 4-40 X 1.50 LONG	6
6	76-22-2	NUT, HEX 4-40	6
7	51-2489-PPP	PLATE, ELITE REPEATER ACCESS	1
8	75-757-2	SOCKET BUTTON HEAD CAP SCREW 10-32 X 50 INCH	6
9	51-2521-PPP	PLATE, ELITE COVER	1
10	51-2502-1-005	PLATE ASSEMBLY, ELITE LIFT CONTROL	1
11	45-1203-1-2	PCA, DUAL CAMERA LIFT CONTROL	1
12	75-345-2	TRUSS HEAD MACHINE SCREW 8-32 X 1/4 PR	4
13	38-963-2	CABLE, USB 2.0 A/B 1 METER	1
14	38-1098-1	CABLE, HS LIFT POWER (Includes:)	1
14a	33-64-2	FUSE-MDL 2AMP (Inline Fuse)	1
15	75-26-2	ROUND HEAD MACHINE SCREW 8-32 X .50 INCH	1
16	76-71-2	NUT, KEPS 8-32	1
17	REF 129-248-2	CAPACITOR FROM LIFT MOTOR	REF
18	74-169-2	BOLT, ANCHOR 1/2 X 3 3/4 INCH	4
19	74-100-2	HEX HEAD CAP SCREW 1/2-13 X 2.00 INCH, FULL-THREAD	4
20	76-16-2	NUT, JAM 1/2-13	4
21	75-481-2	SOCKET BUTTON HEAD CAP SCREW 1/4-20 X .50 INCH	2
22	69-1331-PPP	COVER, ELITE BASE LEFT-HAND	1
23	69-1332-PPP	COVER, ELITE BASE RIGHT-HAND	1
24	75-626-2	SOCKET BUTTON HEAD CAP SCREW 1/4-20 X 1.75 INCH	4
25	11-1372-1-PPP	SUPPORT, ELITE REPEATER WELD	1

* Lighter gauge post design components: See previous parts drawing version (4-162, 08-11a) for heavier gauge components.



FIXED COLUMN (FC) AND COMMON TRIM COVERS

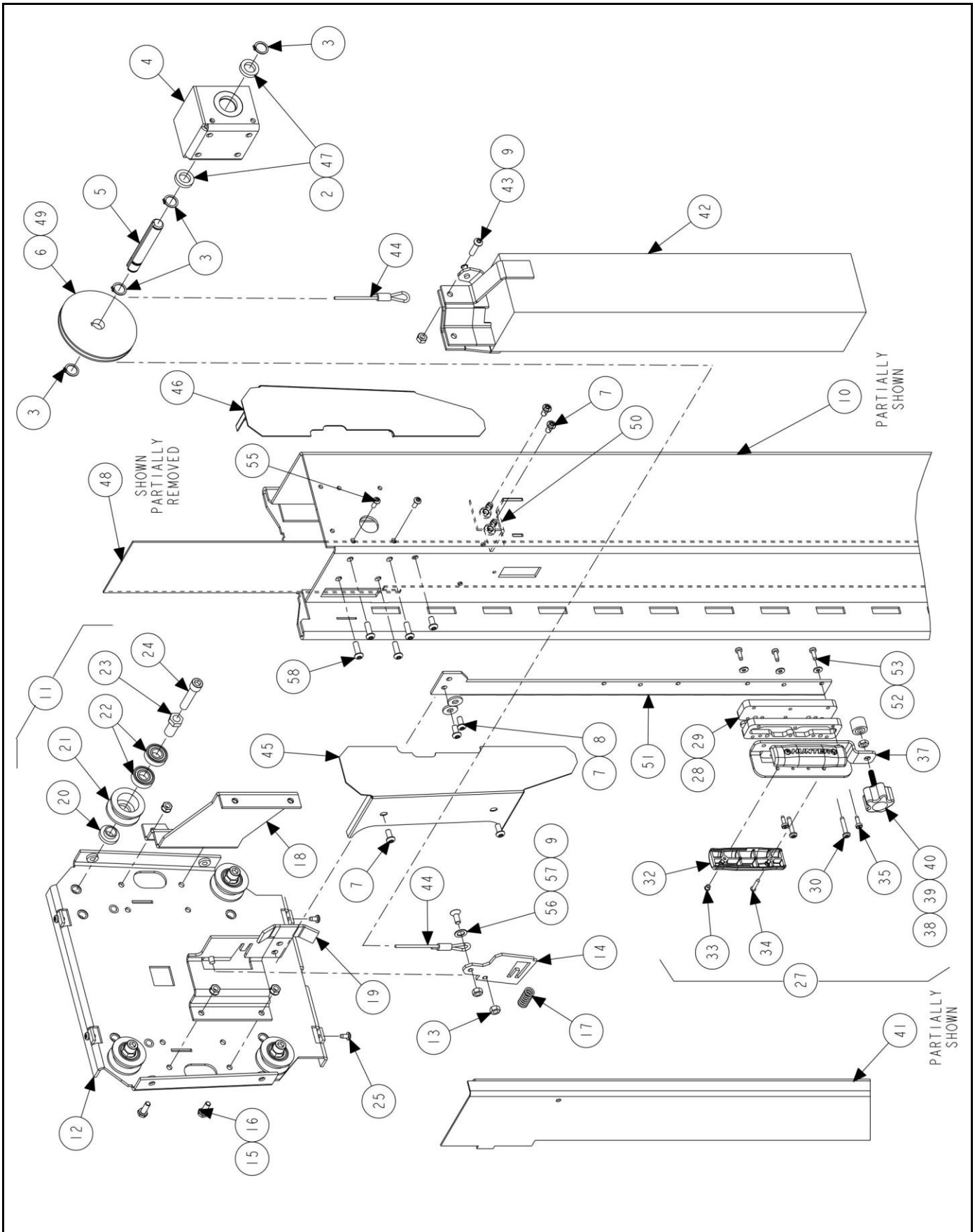
REFER TO NEXT SHEET FOR PARTS DESCRIPTION LISTING

PARTS DESCRIPTION LISTING

Index No.	Part Number	Description	Qty.
1	233-117-1	POST ASSEMBLY, ELITE FC UPPER (Consisting Of:)	1
2	233-115-1-PPP	POST, ELITE UPPER WELD	1
3	73-1048-PPP	PANEL, ELITE SIDE UPPER WRAPPER	1
4	75-481-2	SOCKET BUTTON HEAD CAP SCREW 1/4-20 X .50 INCH	7
5	56-90-1-005	CARRIER, ELITE WELD	1
6	14-1287-005	BRACKET, ELITE FIXED FRONT SPACER	2
7	75-574-2	SOCKET BUTTON HEAD CAP SCREW, 1/4-20 X .75 INCH	4
8	76-85-2	NUT, KEPS 1/4-20	4
9	14-1255-005	BRACKET, ELITE FIXED REAR POSITION	1
10	14-1254-005	BRACKET, ELITE FIXED REAR CLAMP	3
11	74-30-2	HEX HEAD CAP SCREW 3/8-16 X 2.00 INCH	4
12	69-1499-005	COVER, CENTER, CM CARRIER, LEFT-HAND (Packaged with Hardware)	1
13	69-1500-005	COVER, CENTER, CM CARRIER, RIGHT-HAND (Packaged with Hardware)	1
14	24-51-2	NAMEPLATE, HUNTER MODEL & PART (Not Illustrated)	1
15	75-522-2	SCREW, SELF-TAPPING 10-32 X .38 INCH	4
16	74-270-2	SOCKET BUTTON HEAD CAP SCREW 5/16-18 X 1.00 INCH (Post to Base) (Not Illustr.)	8
17	53-173-1	CAP, ASSEMBLY SMALL	1
18	53-172-2	CAP, POST	1
19	44-37-2	WINDOW, CAP	1
20	46-656-2	SPACER, 1/4 HEX X 1-1/8 INCH LONG, 6-32	4
21	24-209-2	NAMEPLATE, HAWKEYE ELITE LED	1
OR	24-208-2	NAMEPLATE, HAWKEYE LED	1
22	45-1353-1	PCA, POSTCAP SIGN	1
23	75-752-2	PAN HEAD MACHINE SCREW 6-19 X 1/2 INCH TRI-SHANK, FULL-THREAD	8
24	51-2624-005	PLATE, ELITE TOP CAP BACK	1
25	76-200-2	NUT, TINNERMAN 10-24	2
26	75-24-2	ROUND HEAD MACHINE SCREW 6-32 X .38 INCH	4
27	75-695-2	TRUSS HEAD MACHINE SCREW , 10-24 X .75 INCH	2
28	75-766-2	SCREW, PRESS 6-32 X .38 INCH	4
29	75-671-2	SOCKET BUTTON HEAD CAP SCREW 10-32 X 3/4 INCH (Not Illustrated)	2
30	37-612-1	WIRE ASSEMBLY, HAWKEYE POST CAP	1
OR	37-613-1	WIRE ASSEMBLY, HAWKEYE POST CAP (CM version)	1
31	12-163-2	CLAMP, P CLIP 3/8 INCH ID RUBBER (Not Illustrated)	2
32	76-85-2	NUT, KEPS 1/4-20 (Not Illustrated)	2
33	76-177-2	NUT, KEPS 5/16-18	3
34	69-1342-1	COVER, ELITE, CENTER, ASSEMBLY (Includes:)	1
35	128-1338-2	DECAL, ELITE HAWKEYE (Not Illustrated)	1
OR	128-1372-2	DECAL, HS421 HAWKEYE (Not Illustrated)	1
36	69-1344-1	COVER, ELITE, RF, ASSEMBLY (Includes:)	1
37	51-2510-005	PLATE, ELITE, 4 CAM, BAFFLE, 4 CAM (Not Illustrated)	1
38	76-555-2	NUT-SELF THREAD 1/8 STUD (Not Illustrated)	4
39	69-1343-1	COVER, ELITE, LF, ASSEMBLY (Includes items 37 and 38)	1
40	69-1337-2	COVER, ELITE, LEFT-HAND, REAR	1
41	69-1339-2	COVER, ELITE, RIGHT-HAND, REAR	1
42	75-26-2	ROUND HEAD MACHINE SCREW 8-32 X .50 INCH	4
43	75-290-2	ROUND HEAD MACHINE SCREW 8-32 X 3/4 INCH	10
44	118-716-1	BEAM, ELITE, ASSEMBLY (Refer to Sheet 13 for Exploded Components)	1

* Lighter gauge post design components: See previous parts drawing version (4-162, 08-11a) for heavier gauge components.





MANUAL LIFT (ML)

REFER TO NEXT SHEET FOR PARTS DESCRIPTION LISTING

PARTS DESCRIPTION LISTING

Form 4-162, 10-15h

Sheet 5 of 20

Index No.	Part Number	Description	Qty.
1	233-118-1	POST, ELITE UPPER WELD 14 GA (Consisting Of:)	1
2	130-209-2	BEARING, ELITE, 15 MM ID	2
3	112-148-2	SNAP RING, ELITE, 15 MM	4
4*	14-1318-1-005*	BRACKET, ELITE SHAFT MOUNT	1
5	97-608-2	SHAFT, ELITE LONG	1
6	107-124-2	PULLEY, ELITE 4 INCH	1
7	75-481-2	SOCKET BUTTON HEAD CAP SCREW 1/4-20 X .50 INCH	11
8	77-67-2	WASHER, FLAT 1/4 TPA-W	2
9	76-17-2	NUT, GRIP 1/4-20	2
10*	233-104-1-PPP*	POST, ELITE UPPER WELD	1
11	56-68-1	CARRIER, ELITE LC/ML	1
12	56-90-1-005	CARRIER, ELITE WELD	1
13	76-17-2	NUT, GRIP 1/4-20	1
14	51-2486-005	PLATE, CABLE LOCK ELITE	1
15	75-29-2	HEX HEAD CAP SCREW 1/4-20 X .75 INCH (FULL-THREAD)	4
16	76-85-2	NUT, KEPS 1/4-20	4
17	98-466-2	SPRING, ELITE, LOCK	1
18	14-1273-1-005	BRACKET, CABLE MOUNT BURNDY WELD	1
19**	11-1380-1-005	SUPPORT, CABLE MOUNT LOCK	1
20	46-657-2	SPACER, ELITE ROLLER	4
21	111-135-2	ROLLER, ELITE HEM	4
22	TR50	BEARING	8
23	28-117-2	HOLDER, ELITE ROLLER EXCENTRIC	4
24	74-353-2	SOCKET HEAD CAP SCREW 3/8-16 X 1.75 INCH	4
25	75-522-2	SCREW, SELF-TAPPING 10-32 X .38 INCH	4
26**	NOT USED	NOT USED	1
27	142-171-1	HANDLE, ELITE, ML/CM	1
28	104-177-2	GUIDE, ELITE ML/CM GRIP	2
29	51-2520-005	PLATE, ELITE ML/CM GRIP SPACER	1
30	75-760-2	SCREW, SELF-TAPPING 10-16 X 1.00 INCH	2
32	142-169-2	HANDLE , FIXED HOOK	2
33	46-512-2	SPACER, THREADED 6-32 X 3/16 INCH	2
34	75-166-2	ROUND HEAD MACHINE SCREW 6-32 X .75 INCH	2
35	75-441-2	SCREW, SELF-TAPPING 8-32 X .50 INCH	2
37	142-172-1-005	HANDLE, ELITE ML, CM PAINTED	1
38	34-203-2	KNOB, 1/4-20 X 1 INCH - RUBBER GRIP	1
39	62-54-2	FOOT, ELITE-BRAKE	1
40	76-51-2	NUT, JAM 1/4-20	1
41	73-1048-PPP	PANEL, ELITE SIDE UPPER WRAPPER	1
42	65-100-1	WEIGHT, ELITE V2-90	1
43	75-121-2	HEX HEAD CAP SCREW 1/4-20 X 1.25 INCH GRADE 5	1
44	39-82-3	CABLE, ELITE LC/ML	1
45	69-1499-005	COVER, CENTER, CM CARRIER, LEFT-HAND (Packaged with Hardware)	1
46	69-1500-005	COVER, CENTER, CM CARRIER, RIGHT-HAND (Packaged with Hardware)	1
47	Field Purchase	LOCTITE, RETAINING COMPOUND #638	A/R
48	73-1085-005*	PANEL, ELITE, CABLE PROTECTION	1
49	28-119-2	KEY, 3/16 X 3/16 INCH	1
50	51-2525-1-005	PLATE, ELITE CW STOP	1
51	120-102-005	ARM, ELITE ML STIFF HANDLE	1
52	75-441-2	SCREW, SELF-TAPPING 8-32 X .50 INCH	3
53	77-46-2	WASHER, FLAT 8	3
54	24-51-2	NAMEPLATE, HUNTER MODEL & PART (Not Illustrated)	1
55	75-757-2	SOCKET BUTTON HEAD CAP SCREW 10-32 X 50 INCH	2
56	75-385-2	FLAT HEAD SOCKET CAP SCREW 1/4-20 X .63 INCH	1
57	77-297-2	WASHER, FLAT 3/8 INCH	1
58	75-574-2	SOCKET BUTTON HEAD CAP SCREW, 1/4-20 X .75 INCH	4
59	28-125	KEY, ELITE ML/LC/CM - CW (Shipping Key Not Illustrated)	2
60	75-413-2	SCREW, STAP 10-32X.50 (Shipping Key Hardware Not Illustrated)	2
61	128-1364-2	DECAL-MADE USA #4 (Not Illustrated)	1
62	20-2543-1	COM, CABLE MANAGEMENT - ML & LC (See Sheet 9 Parts 3 & 4 for Ill.)	1

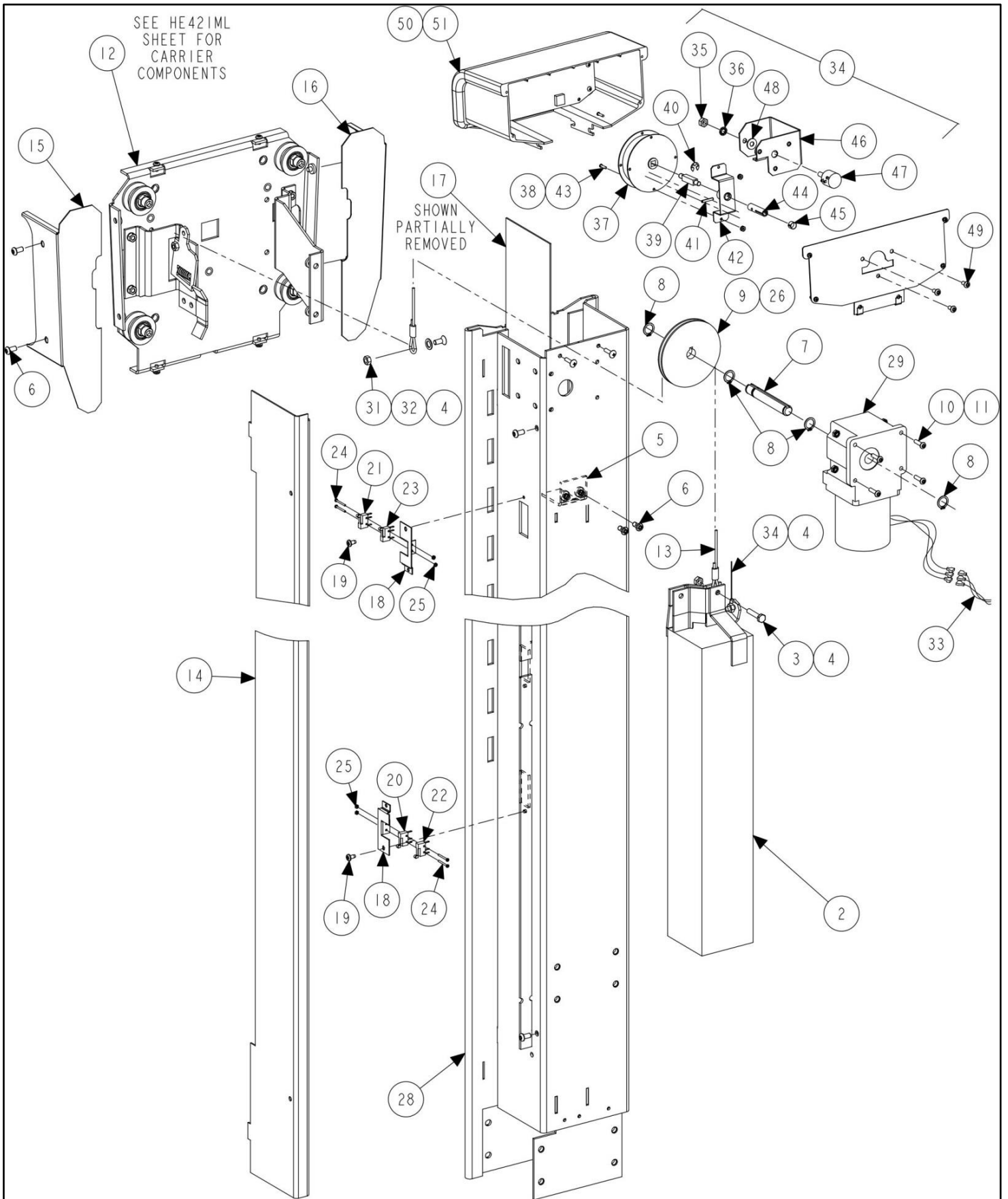
* Lighter gauge post design components: See previous parts drawing version (4-162, 08-11a) for heavier gauge components.

** Current design replaces loose screw (75-120-2) with welded stud on support. (See 4-162, 03-14d version for older design.)

HUNTER
Engineering Company

11250 HUNTER DRIVE BRIDGETON, MO 63044

PPP-Paint Code Required
A/R-As Required
REF-Reference



LIFT COLUMN (LC / LZ)

REFER TO NEXT SHEET FOR PARTS DESCRIPTION LISTING

PARTS DESCRIPTION LISTING

Form 4-162, 10-15h

Sheet 6 of 20

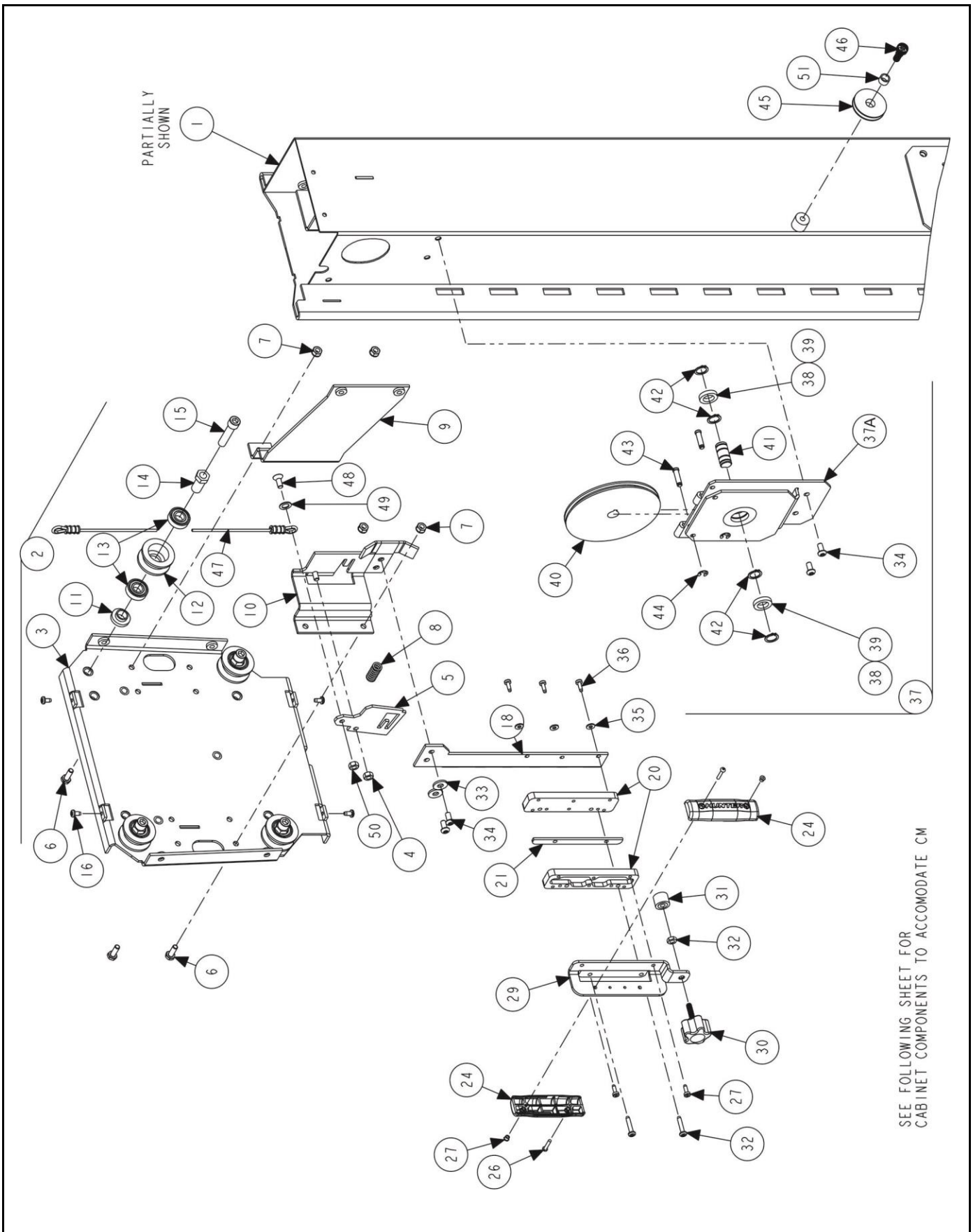
Index No.	Part Number	Description	Qty.
1	233-119-1*	POST ASSEMBLY, ELITE UPPER LC	1
OR	233-120-1	POST ASSEMBLY, ELITE UPPER LZ (For Export LZ)	1
2	65-100-1	WEIGHT, ELITE V2-90	1
3	75-121-2	HEX HEAD CAP SCREW 1/4-20 X 1.25 INCH GRADE 5	1
4	76-17-2	NUT, GRIP 1/4-20	2
5	51-2525-1-005	PLATE, ELITE CW STOP	1
6	75-481-2	SOCKET BUTTON HEAD CAP SCREW 1/4-20 X .50 INCH	9
7	97-608-2	SHAFT, ELITE LONG	1
8	112-148-2	SNAP RING, ELITE, 15MM	4
9	107-124-2	PULLEY, ELITE 4 INCH	1
10	75-671-2	SOCKET BUTTON HEAD CAP SCREW 10-32 X 3/4 INCH	4
11	76-61-2	NUT, KEPS 10-32	4
12	56-68-1	CARRIER, ELITE LC / ML (Refer to ML sheet for carrier components)	1
13	39-82-3	CABLE, ELITE LC / ML	1
14	73-1048-PPP	PANEL, ELITE SIDE UPPER WRAPPER	1
15	69-1499-005	COVER, CENTER, CM CARRIER, LEFT-HAND (Packaged with Hardware)	1
16	69-1500-005	COVER, CENTER, CM CARRIER, RIGHT-HAND (Packaged with Hardware)	1
17	73-1085-005*	PANEL, ELITE, CABLE PROTECTION	1
18	14-1263-005	BRACKET, ELITE LIMIT SWITCH	2
19	75-522-2	SCREW-SELF-TAPPING 10-32 X .38 INCH	2
20	18-577-1	SWITCH, ELITE, LIMIT LOWER, HARD	1
21	18-578-1	SWITCH, ELITE, LIMIT UPPER, HARD	1
22	18-545-1	SWITCH, ELITE, LWR, SOFT	1
23	18-546-1	SWITCH, ELITE, UPR, SOFT	1
24	75-581-2	PAN HEAD MACHINE SCREW, 2-56 X .88 INCH	4
25	76-139-2	NUT, HEX 2-56	4
26	28-119-2	KEY, 3/16 X 3/16 INCH	2
28	233-115-1-PPP	POST, ELITE UPPER WELD 14 GA	1
29	129-252-1	MOTOR, ELITE, 120 VOLT WIRE ASSEMBLY ZD	1
OR	129-254-1	MOTOR, ELITE, 220 VOLT WIRE ASSEMBLY ZD (For Export LZ)	1
30	24-51-2	NAMEPLATE, HUNTER MODEL & PART (Not Illustrated)	1
31	75-385-2	FLAT HEAD SOCKET CAP SCREW 1/4-20 X .63 INCH	1
32	77-297-2	WASHER, FLAT 3/8 INCH	1
33	37-681-1	WIRE ASSEMBLY, ELITE LD-LC / LZ	1
34	39-87-1	CABLE, ELITE LC POSITION	1
35	76-13-2	NUT, HEX 1/4-20	1
36	77-13-2	WASHER, LOCK 1/4 INCH INTERNAL-TOOTH	1
37	39-66-2	CABLE, SPRING REEL	1
38	134-97-2	STUD, PRESS #4-40 X 1/2 INCH	2
39	97-474-2	SHAFT, REEL DSP600L	1
40	112-100-2	SNAP RING #5133-25	1
41	135-209-2	PIN, SPRING 1/8 INCH DIAMETER X 3/4 INCH LONG	1
42	14-1039-1	BRACKET ASSEMBLY, REEL ATTACH	1
43	76-59-2	NUT, KEPS 4-40	2
44	106-138-2	SLEEVE, SLIP REEL ENCODER	1
45	223-48-2	RING, COMPRESSION	1
46	14-1334-1-005	BRACKET, ELITE POT MOUNT WELD	1
47	93-66-1	POT, ELITE, LC NEW LOCATION	1
48	77-370-2	WASHER, .261 I.D. X .625 O.D. X .05 INCH	1
49	75-404-2	SOCKET BUTTON HEAD CAP SCREW 10-32 X .38 INCH, FULL-THREAD	3
50	37-612-1	WIRE ASSEMBLY, HAWKEYE POST CAP	1
51	53-173-1	CAP, ASSEMBLY SMALL (See Sheet 4)	1
52	28-125	KEY, ELITE ML/LC/CM - CW (Shipping Key Not Illustrated)	1
53	75-413-2	SCREW, STAP 10-32X.50 (Shipping Key Hardware Not Illustrated)	1
54	128-1364-2	DECAL-MADE USA #4 (Not Illustrated)	1
55	76-85-2	NUT, KEPS 1/4-20	1
56	20-2543-1	COM, CABLE MANAGEMENT - ML & LC (See Sheet 9 Parts 3 & 4 for Ill.)	1

* Lighter gauge post design components: See previous parts drawing version (4-162, 08-11a) for heavier gauge components.

HUNTER
Engineering Company

11250 HUNTER DRIVE BRIDGETON, MO 63044

PPP-Paint Code Required
A/R-As Required
REF-Reference



CABINET MOUNT COLUMN (CM)

REFER TO NEXT SHEET FOR PARTS DESCRIPTION LISTING

PARTS DESCRIPTION LISTING

Form 4-162, 10-15h

Sheet 7 of 20

Index No.	Part Number	Description	Qty.
	233-124-1	POST ASSEMBLY, ELITE CM	1
1	233-126-1-PPP	POST, CENTER - CM	1
2**	56-82-1	CARRIER, CENTER - CM	1
3	56-90-1-005	CARRIER, ELITE WELD	1
4	76-17-2	NUT-GRIP 1/4-20	1
5	51-2486-005	PLATE, CABLE LOCK ELITE	1
6	75-29-2	HEX HEAD CAP SCREW 1/4-20 X .75 INCH (FULL-THREAD)	4
7	76-85-2	NUT-KEPS 1/4-20	4
8	98-466-2	SPRING, ELITE - LOCK	1
9	14-1541-1-005	BRACKET, CABLE MOUNT BURNDY WELD	1
10*	11-1603-1-005*	SUPPORT, CABLE MOUNT LOCK WELD	1
11	46-657-2	SPACER, ELITE ROLLER	4
12	111-135-2	ROLLER, ELITE HEM	4
13	TR50	BEARING	8
14	28-117-2	HOLDER, ELITE ROLLER EXCENTRIC	4
15	74-353-2	SOCKET HEAD CAP SCREW 3/8-16 X 1.75 INCH	4
16	75-522-2	SCREW, SELF-TAPPING 10-32 X .38 INCH	4
17*	NOT USED*	NOT USED	1
18	120-118-005	LINK, CENTER - CM - HANDLE	1
19	142-171-1	HANDLE, ELITE - ML/CM	1
20	104-177-2	GUIDE, ELITE ML/CM GRIP	2
21	51-2520-005	PLATE, ELITE ML/CM GRIP SPACER	1
22	75-760-2	SCREW, SELF-TAPPING 10-16 X 1.00 INCH	2
24	142-169-2	HANDLE, FIXED HOOK	2
25	46-512-2	SPACER, THREADED 6-32 X 3/16 INCH	2
26	75-166-2	ROUND HEAD MACHINE SCREW 6-32 X .75 INCH	2
27	75-441-2	SCREW-SELF-TAPPING 8-32 X .50 INCH	2
29	142-172-1-005	HANDLE, ELITE ML-CM PAINTED	1
30	34-203-2	KNOB, 1/4-20 X 1 INCH - RUBBER GRIP	1
31	62-54-2	FOOT, ELITE-BRAKE	1
32	76-51-2	NUT, JAM 1/4-20	1
33	77-67-2	WASHER, FLAT 1/4 INCH	2
34***	75-481-2	SOCKET BUTTON HEAD CAP SCREW 1/4-20 X .50 INCH	4
35	77-46-2	WASHER, FLAT 8	3
36	75-441-2	SCREW, SELF-TAPPING 8-32 X .50 INCH	3
37	11-1592-1	SUPPORT, PULLEY	1
37A	11-1551-1-PPP	SUPPORT, CENTER-CM-PLY-WLD	1
38	130-209-2	BEARING, ELITE-15 MM-ID	2
39	Field Purchase	LOCTITE, RETAINING COMPOUND #638	1
40	107-130-2	PULLEY, CENTER - CM - 5 INCH	1
41	97-639-2	SHAFT, CENTER - CM - SHORT	1
42	112-148-2	SNAP RING, ELITE - 15 MM	4
43	135-462-2	PIN-HI FORCE LATCH	2
44	112-100-2	SNAP RING #5133-25	2
45**	107-132-1	PULLEY ASSEMBLY, CENTER - CM - IDLER (includes: bushing 113-338-2, item 51)	1
46**	74-527-2	BOLT, SHOULDER 3/8 DIA X 3/8 INCH SHOULDER	1
47**	39-95-3	CABLE, CENTER-CM	1
48**	75-385-2	FLAT HEAD SOCKET CAP SCREW 1/4-20 X .63 INCH	1
49	77-297-2	WASHER, FLAT 3/8 INCH	1
50**	76-17-2	NUT, GRIP 1/4-20	1

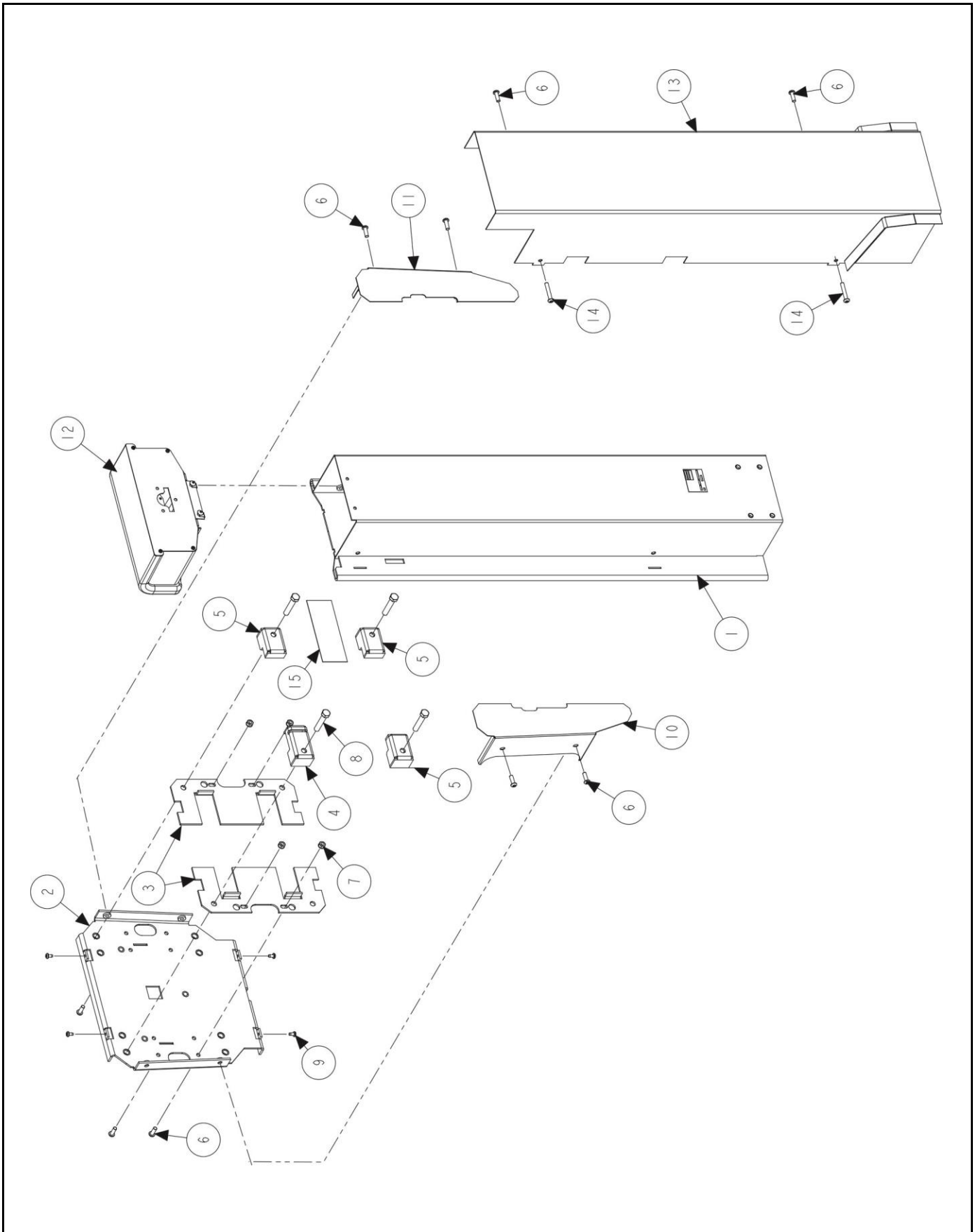
* Current design replaces loose screw (75-120-2) with welded stud on support. (See 4-162, 03-14d version for older design.)

** Contents of Demo Column Kit 20-3667-1, which speeds up the change over time of demo units are indicated. See sales bulletin 19-049 Demo Column Kit 20-2884-1 is still required for demonstrations. See Form 6752-T for instructions and parts break-down of demo column.

HUNTER
Engineering Company

11250 HUNTER DRIVE BRIDGETON, MO 63044

PPP-Paint Code Required
A/R-As Required
REF-Reference

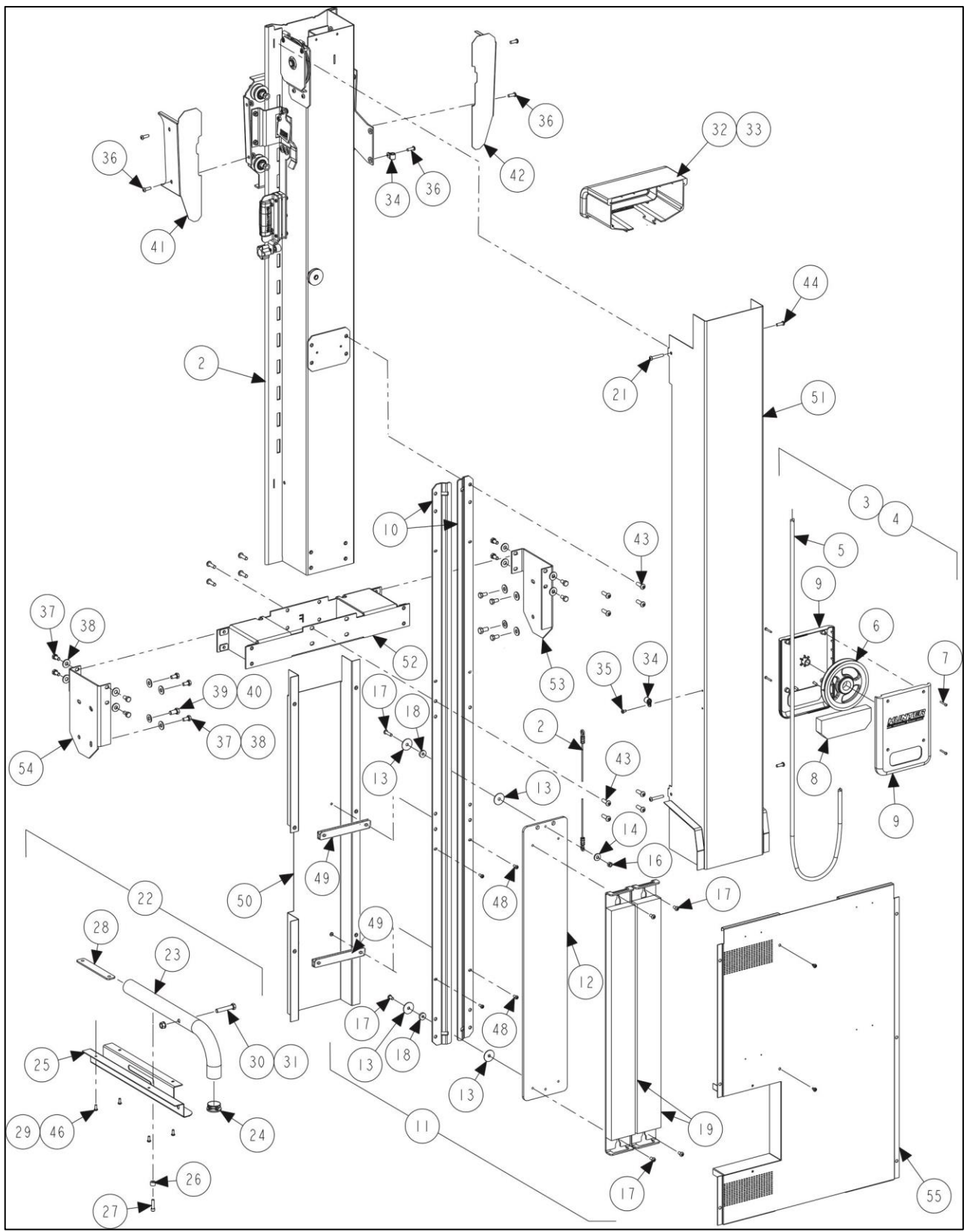


CABINET MOUNT COLUMN (QUICKCHECK)

REFER TO NEXT SHEET FOR PARTS DESCRIPTION LISTING

PARTS DESCRIPTION LISTING

Index No.	Part Number	Description	Qty.
	233-130-1	POST ASSEMBLY, CENTER CM FC	
1	233-129-1-PPP	POST, CENTER CM FC	1
2	56-90-1-005	CARRIER, ELITE WELD	1
3	14-1287-005	BRACKET, ELITE FIXED FRONT SPACER	2
4	14-1255-005	BRACKET, ELITE FIXED REAR POS	1
5	14-1254-005	BRACKET, ELITE FIXED REAR CLAMP	3
6	75-574-2	SOCKET BUTTON HEAD CAP SCREW-1/4-20 X .75 INCH	10
7	76-85-2	NUT, KEPS 1/4-20	6
8	74-30-2	HEX HEAD CAP SCREW 3/8-16 X 2.00 INCH	4
9	75-522-2	SCREW SELF-TAPPING 10-32 X .38 INCH	4
10	69-1499-005	COVER, CENTER CM CARRIER LEFT HAND	1
11	69-1500-005	COVER, CENTER CM CARRIER RIGHT HAND	1
12	53-173-1	CAP, ASSEMBLY SMALL (See Sheet 4)	1
13	69-1513-1-PPP	COVER, BACK CENTER CM FIXED	1
14	75-452-2	SOCKET BUTTON HEAD CAP SCREW 1/4-20 X 1.50 INCH	2
15	128-1362-2	DECAL, MADE USA #2	1



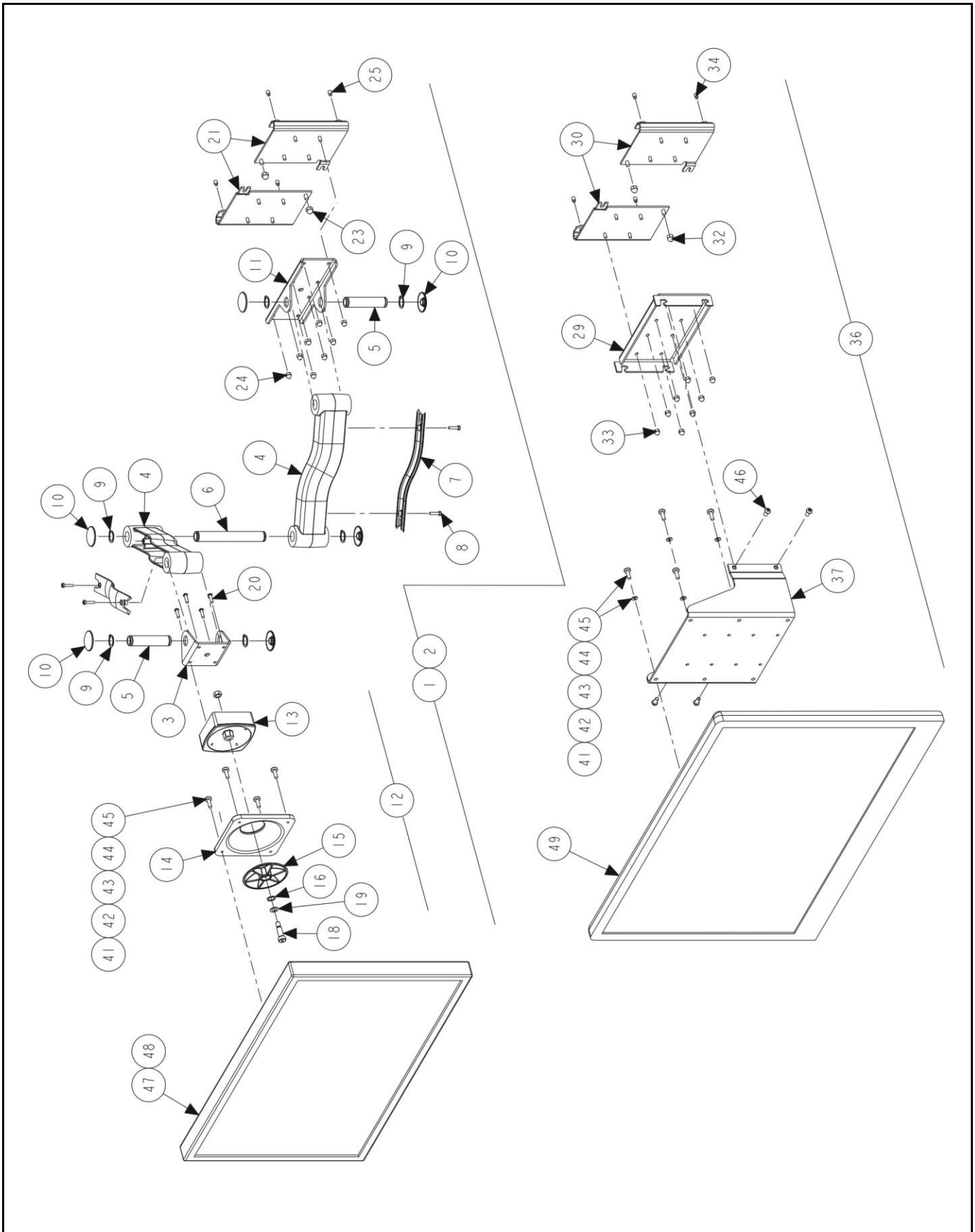
WAXXXCM AND QC73 CABINET

REFER TO NEXT SHEET FOR PARTS DESCRIPTION LISTING

PARTS DESCRIPTION LISTING

Index No.	Part Number	Description	CM Qty.	QC Qty.
1	118-716-1	BEAM, ELITE ASSEMBLY (Not Illustrated)	1	
OR	118-720-1	BEAM-ELITE NARROW ASSEMBLY (Not Illustrated)		1
2	233-124-1	POST, CENTER-MOUNT – CM - ASSEMBLY	1	
OR	233-130-1	POST, ASSEMBLY CNTR –CM-FC (Not Illustrated)		1
3	20-2543-1	COM, CABLE MANAGEMENT - ML & LC	1	
4	105-614-1	HOUSING, ELITE-COMU-MGNT	1	
5	38-957-3	CABLE ASSEMBLY, USB+BURNDY	1	
6	107-128-3	PULLEY, 5.5N-ELITE-CAST-IRON	1	
7	75-764-2	SCREW, RHSMS #6 X 1.0 INCH HI-LO	4	
8	65-97-2	WEIGHT, BURNDY-CABLE-ELITE	1	
9	105-613-2	HOUSING, ELITE CABLE MANAGEMENT	2	
10	104-192-005	GUIDE, CENTER – CM COUNTER-WEIGHT	2	
11	65-116-1	WEIGHT, CENTER - CM	1	
12	65-117-005	WEIGHT, CENTER CM PLATE	1	
13	77-144-2	WASHER, FENDER 1/4 INCH	4	
14	77-67-2	WASHER, FLAT 1/4 INCH	1	
15	75-617-2	SOCKET BUTTON HEAD CAP SCREW 1/4-20 X 1.00 INCH	1	
16	76-17-2	NUT, GRIP 1/4-20	1	
17	75-481-2	SOCKET BUTTON HEAD CAP SCREW 1/4-20 X .50 INCH	5	
18	77-421-2	WASHER, 1/4 ID X 3/4 OD X 3/16 INCH THICK	2	
19	65-118-1-005	WEIGHT-CENTER - CM - HALF - WELD	2	
20	20-2891-1	HARDWARE-CENTER - CM (Consisting of:)	1	
OR	20-2926-1	HARDWARE-CENTER - CM FIXED		1
21	75-452-2	SOCKET BUTTON HEAD CAP SCREW 1/4-20 X 1.50 INCH	2	
22	16-1061-1	TUBE, CENTER - CM ANTI-TIP	1	
23	16-1055-005	TUBE, CABINET - CM	1	
24	43-156-2	PLUG, 1.5 INCH OD RUBBER - BLACK	1	
25	11-1529-005	CHANNEL, CENTER - CM-TIP	1	
26	46-613-2	SPACER-PLASTIC 1/2 OD X 3/8 INCH LONG	1	
27	75-239-2	SOCKET HEAD CAP SCREW 1/4-20 X 1.00 INCH FULL-THREAD	1	
28	57-891-1-005	BAR, NUT ANTI-PIVOT	1	
29	76-61-2	NUT, KEPS 10-32	4	
30	76-159-2	NUT, KEPS 3/8-16	1	
31	74-30-2	HEX HEAD CAP SCREW 3/8-16 X 2.00 INCH	1	
32	53-173-1	CAP, ASSEMBLY SMALL (See Sheet 4)	1	
33	37-613-1	WIRE ASSEMBLY, HAWKEYE POST CAP	1	1
34	12-163-2	CLAMP, P CLIP 3/8 INCH ID RUBBER	6	4
35	75-522-2	SCREW, SELF-TAPPING 10-32 X .38 INCH	2	2
36	75-765-2	SOCKET BUTTON HEAD CAP SCREW 1/4-20 X 3/8 INCH	6	
37	74-203-2	HEX HEAD CAP SCREW 5/16-18 X .63 INCH GRADE 5 (FULL-THREAD)	14	14
38	77-24-2	WASHER, FLAT 5/16 INCH	14	14
39	74-59-2	HEX HEAD CAP SCREW 3/8-16 X .75 INCH (FULL-THREAD)	2	2
40	77-26-2	WASHER, FLAT 3/8 INCH	2	2
41	69-1499-005	COVER, CENTER - CM-CARRIER LEFT-HAND	1	
42	69-1500-005	COVER, CENTER - CM-CARRIER RIGHT-HAND	1	
43	74-270-2	SOCKET BUTTON HEAD CAP SCREW 5/16-18 X 1.00 (FULL-THREAD)	12	8
44	75-574-2	SOCKET BUTTON HEAD CAP SCREW-1/4-20 X .75 INCH	2	
45	76-177-2	NUT, KEPS 5/16-18	3	3
46	75-757-2	SOCKET BUTTON HEAD CAP SCREW 10-32 X .50 INCH	8	
47	24-208-2	NAMEPLATE, HAWKEYE LED	1	1
48	75-352-2	TRUSS HEAD MACHINE SCREW 10-32 X .75 INCH	6	
49	57-911-005	CM COUNTERWEIGHT GUIDE SPACER BAR	2	
50	11-1558-1	SUPPORT, CENTER - CM-DEMO-REAR-COVER	1	
50a	76-415-2	NUT – HEX INSERT 10-32 (Not Illustrated)	2	
51	69-1501-1-PPP	COVER, CENTER - CM-REAR-WELD	1	
52	11-1506-1-005	SUPPORT, ASSEMBLY-CENTER - CM	1	1
53	11-1503-005	SUPPORT, SIDE-WIDE-LEFT	1	1
54	11-1502-005	SUPPORT, SIDE-WIDE-RIGHT	1	1
55	73-1109-1-PPP	PANEL, WELD REAR (See Cabinet Parts Dwg)	Ref.	Ref.





WAXXXCM AND QC73 MONITOR
 REFER TO NEXT SHEET FOR PARTS DESCRIPTION LISTING

PARTS DESCRIPTION LISTING

Form 4-162, 10-15h

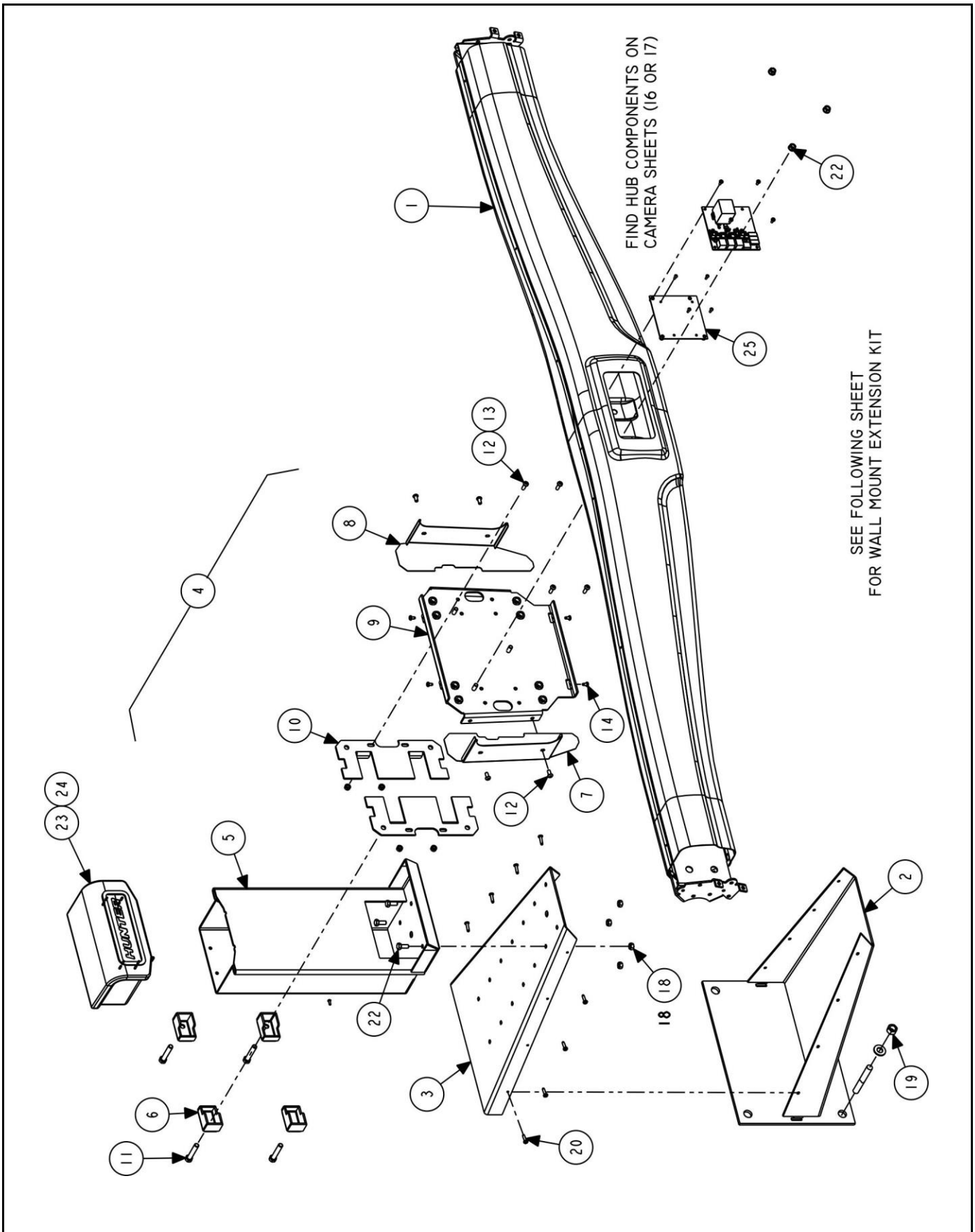
Sheet 10 of 20

Index No.	Part Number	Description	CM Qty.
1	20-2873-1	KIT, CM LCD ARM 24-27 INCH SWIVEL	1
2	11-1544-1	SUPPORT ASSEMBLY, ADJ MONITOR ARM	1
3	11-1526-005	SUPPORT, ELITE MONITOR CLEVIS	1
4	103-244-2	ARM, ARTICULATED MONITOR SUPPORT	2
5	135-544-2	PIN, MONITOR ELITE SHORT	2
6	135-545-2	PIN, MONITOR ELITE LONG	1
7	69-1478-2	COVER, MONITOR ARM	2
8	75-414-2	PAN HEAD MACHINE SCREW 8-32 X 3/4 INCH	4
9	112-63-2	SNAP RING-TRUARC #5100-75	6
10	53-190-2	CAP, MONITOR PIN	6
11	11-1545-005	SUPPORT, MONITOR ARM COLUMN	1
12	178-53-1	COUPLING, MONITOR SWIVEL MOUNT	1
13	72-546-2	BASE, MONITOR MOUNT	1
14	51-2777-2	PLATE, MONITOR MOUNT	1
15	76-510-2	NUT, MONITOR MOUNT	1
16	98-498-2	SPRING, WAVE .375 ID X .56 INCH OD	1
17	76-37-2	NUT, HEX 5/16-18 ZP	1
18	74-561-2	BOLT, SHOULDER 3/8 X .875	1
19	77-424-2	WASHER, SHIM .39 IDX.62 ODX.0	1
20	75-830-2	PAN HEAD SHEET METAL SCREW SELF-TAPPING - #10 X .63 INCH HI-LO	4
21	14-1531-1-005	BRACKET ASSEMBLY- MONITOR COLUMN MOUNT	2
22	75-800-2	PAN HEAD SHEET METAL SCREW SELF-TAPPING #10-16 X 1/2 INCH (Not Illus.)	4
23	76-395-2	NUT, ACORN 1/4-20 LOW CROWN	2
24	76-168-2	NUT, ACORN 10-32	8
AND	77-283-2	WASHER-FLAT 10 SPECIAL (as needed) (Not Illustrated)	16
25	75-320-2	SOCKET SET SCREW 1/4-20 X 3/8 INCH HALF DOG PT	4
26	11-1546-005	SUPPORT, LARGE MONITOR COLUMN MOUNT (for fixed only)	1
27	38-1233-2	CABLE, PC POWER EXT C13-C14 (Not Illustrated)	1
28	20-2877-1	KIT, CM LCD 32 INCH MONITOR MOUNT (Consisting Of:)	1
29	11-1546-005	SUPPORT, LARGE MONITOR COLUMN MOUNT	1
30	14-1531-1-005	BRACKET ASSEMBLY, MONITOR COLUMN MOUNT	2
31	75-481-2	SOCKET BUTTON HEAD CAP SCREW 1/4-20 X .50 INCH (Not Illustrated)	4
32	76-395-2	NUT, ACORN 1/4-20 LOW CROWN	2
33	76-168-2	NUT, ACORN 10-32	8
34	75-320-2	SOCKET SET SCREW 1/4-20 X 3/8 INCH HALF DOG PT	4
35	38-1233-2	CABLE, PC POWER EXT C13-C14 (Not Illustrated)	1
36	20-2871-1	KIT MOUNTING FIXED MONITOR ELITE	1
37	14-1569-1-005	BRACKET ASSEMBLY - MONITOR FIXED (Used only on 32-inch LCD Installations)	1
38	94-38-2	TIE CABLE (Not Illustrated)	2
39	70-143-2	HARNESS, SPIRAL WRAP .25 INCH BLACK (Not Illustrated)	18 IN
40	75-700-2	PAN HEAD MACHINE SCREW M6-1.0 X 16 MM	6
41	77-67-2	WASHER, FLAT 1/4 INCH	12
42	75-659-2	PAN HEAD MACHINE SCREW M4 X .7 X 12 MM	6
43	77-46-2	WASHER, FLAT 8	12
44	75-787-2	PAN HEAD MACHINE SCREW M6-1.0 X 25 MM LONG	6
45	75-679-2	PAN HEAD MACHINE SCREW M4 X .7 X 16 MM LONG	6
46	75-481-2	SOCKET BUTTON HEAD CAP SCREW 1/4-20 X .50 BO	4
47	227-107-2	DISPLAY, 24 INCH CLASS LCD	1
48	227-108-2	DISPLAY, 27 INCH CLASS LCD	1
49	227-103-2	DISPLAY, 32 INCH CLASS LCD (WA485)	1
50	38-813-2	CABLE, VIDEO EXTENDER, W/SHIELD (Not Illustrated)	1
51	38-768-2	CABLE, STEREO JUMPER (w/ 27" & 32") (Not Illustrated)	1

HUNTER
Engineering Company

11250 HUNTER DRIVE BRIDGETON, MO 63044

PPP-Paint Code Required
A/R-As Required
REF-Reference



WALL MOUNT (WM)

REFER TO NEXT SHEET FOR PARTS DESCRIPTION LISTING

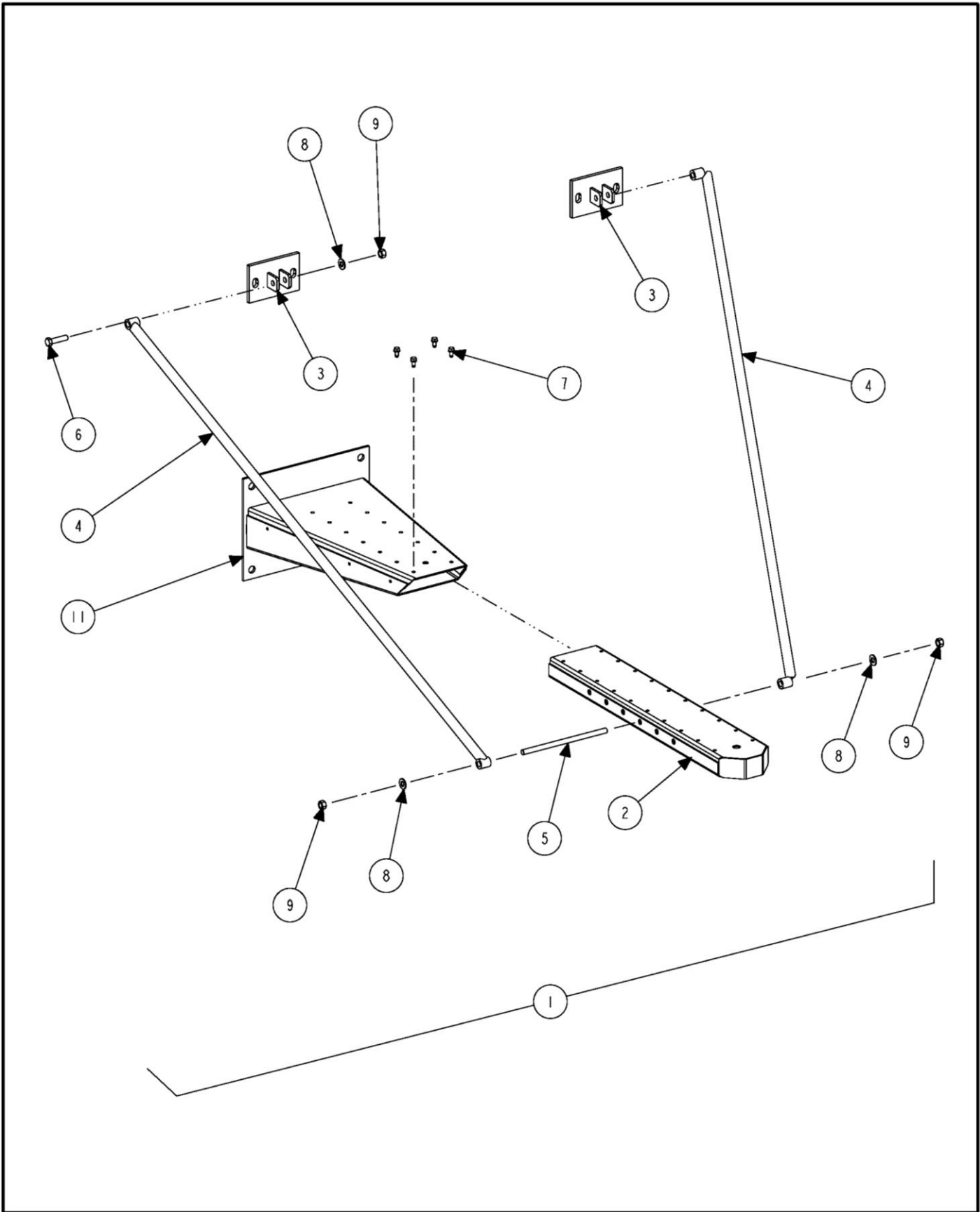
PARTS DESCRIPTION LISTING

Form 4-162, 10-15h

Sheet 11 of 20

Index No.	Part Number	Description	Qty.
1	118-716-1	BEAM, ELITE, ASSEMBLY (See Sheet 13)	1
2	215-146-1-005	SHELF, WMS, BOTTOM, WELD	1
3	215-144-005	SHELF, WMS, TOP	1
4	11-1412-1-PPP	SUPPORT, ELITE WM ASSEMBLY (Consisting Of:)	1
5	11-1389-1-PPP	SUPPORT, ELITE CARRIER WM WELD	1
6	14-1254-005	BRACKET, ELITE FIXED REAR CLAMP	4
7	69-1499-005	COVER, CENTER, CM CARRIER, LEFT-HAND (Packaged with Hardware)	1
8	69-1500-005	COVER, CENTER, CM CARRIER, RIGHT-HAND (Packaged with Hardware)	1
9	56-90-1-005	CARRIER, ELITE WELD	1
10	14-1287-005	BRACKET, ELITE FIXED FRONT SPACER	2
11	74-30-2	HEX HEAD CAP SCREW 3/8-16 X 2.00 INCH	4
12	75-574-2	SOCKET BUTTON HEAD CAP SCREW-1/4-20 X .75 INCH	8
13	76-85-2	NUT, KEPS 1/4-20	4
14	75-522-2	SCREW, SELF-TAPPING 10-32 X .38 INCH	4
15	128-1364-2	DECAL, MADE USA #4 (Not Illustrated)	1
16	24-51-2	NAMEPLATE, HUNTER MODEL & PART (Not Illustrated)	1
17	20-2579-1	KIT, WM HARDWARE (Partial List)	1
18	74-20-2	HEX HEAD CAP SCREW 5/16-18 X .75 INCH, GRADE 5, FULL-THREAD	4
19	74-169-2	BOLT, ANCHOR 1/2 X 3 3/4 INCH	4
20	75-627-2	SCREW, SELF-TAPPING 10-32 X .75 INCH	8
21	12-163-2	CLAMP, P CLIP 3/8 INCH I.D. RUBBER (Not Illustrated)	2
22	76-177-2	NUT, KEPS 5/16 - 18	7
23	53-173-1	CAP, ASSEMBLY SMALL (See Sheet 4)	1
24	37-612-1	WIRE ASSEMBLY, HAWKEYE POST CAP	1
25	51-2555-1-005*	PLATE, ADAPTOR, WM, HUB	1

* Adaptor plate, item 25, is no longer required with current 4 port / 3 power hub supplied (late 2017 change).

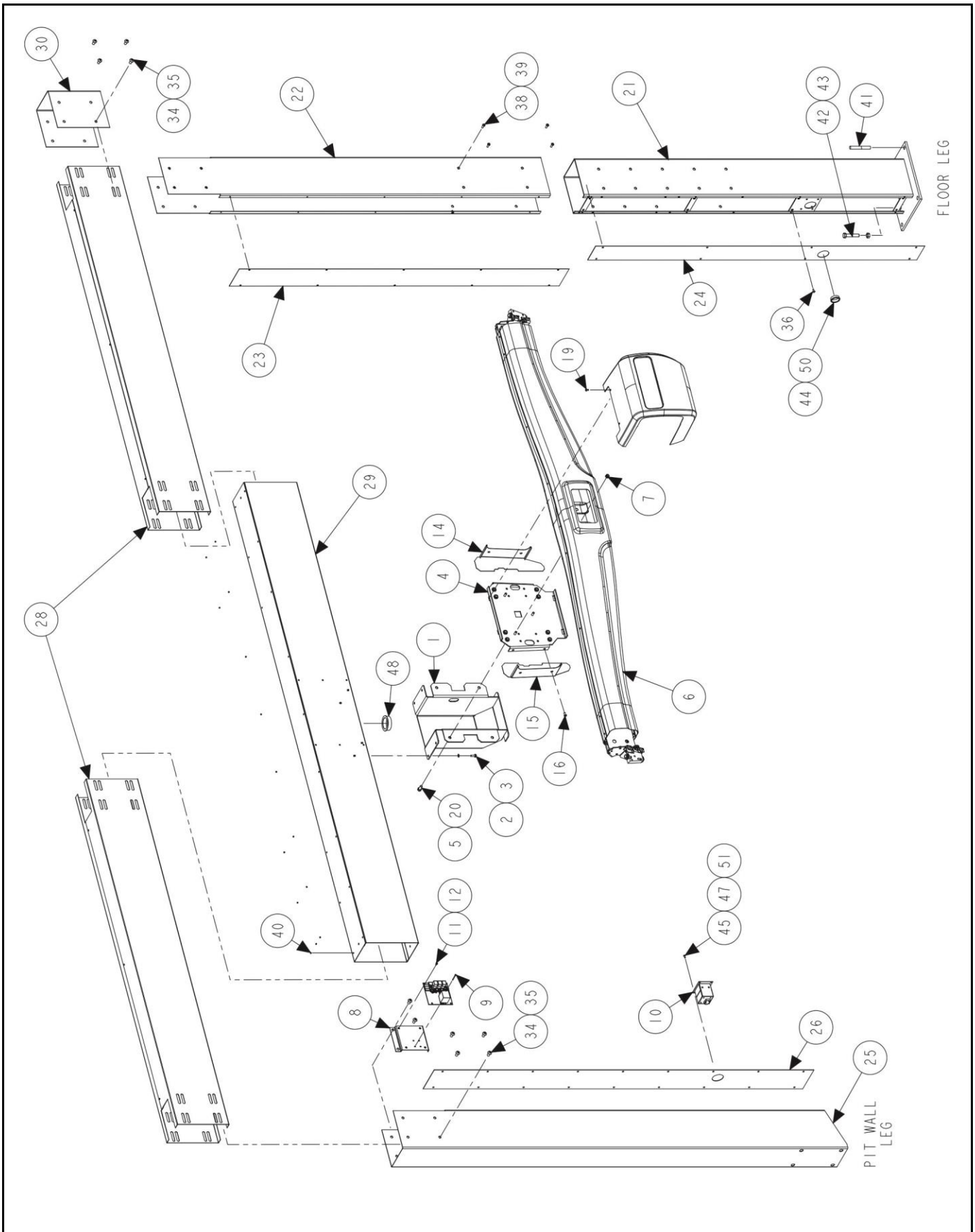


WALL MOUNT EXTENSION

REFER TO NEXT SHEET FOR PARTS DESCRIPTION LISTING

PARTS DESCRIPTION LISTING

Index No.	Part Number	Description	Qty.
1	20-2184-1	KIT, WALL MOUNT EXTENSION	1
2	103-177-1-005	ARM, WMH, WELDMENT	1
3	14-935-1-PPP	BRACKET ASSEMBLY, WALL MOUNT	2
4	63-207-1-PPP	ROD ASSEMBLY, PAINTED	2
5	63-261-2	ROD, 1/2-13 X 10 INCH	1
6	74-100-2	HEX HEAD CAP SCREW 1/2-13 X 2.00 INCH, FULL-THREAD	6
7	74-241-2	SCREW, THREAD ROLLING 5/16-18 X 1/2 INCH	8
8	77-23-2	WASHER, FLAT 1/2 INCH	12
9	76-25-2	NUT, HEX 1/2-13	8
10	74-169-2	BOLT, ANCHOR 1/2 X 3 3/4 INCH	4
11	76-407-2	NUT, HOLLOW SET DROP-IN 1/2-13	4
12	20-2579-1	KIT, WM HARDWARE (Partial List)	1
13	74-37-2	HEX HEAD CAP SCREW 1/2-13 X 1.00 FTHD (Angled Beam) (Not Illustrated)	1
14	76-25-2	NUT, HEX 1/2-13 (Angled Beam) (Not Illustrated)	1
15	77-63-2	WASHER, LOCK 1/2 HELICAL SPRING (Angled Beam) (Not Illustrated)	1
16	77-246-2	WASHER, 2 OD X .515 ID X .109 INCH SPCL. (Angled Beam) (Not Illustrated)	1
17	76-407-2	NUT, HOLLOW SET DROP-IN 1/2-13 (Support) (Not Illustrated)	4
18	74-100-2	HEX HEAD CAP SCREW 1/2-13 X 2.00 INCH FTHD (Support) (Not Illustrated)	4
19	77-23-2	WASHER, FLAT 1/2 INCH (Support) (Not Illustrated)	4



PIT (PS & PD) / TWO-POST (FM)
REFER TO NEXT SHEET FOR PARTS DESCRIPTION LISTING

PARTS DESCRIPTION LISTING

Form 4-162, 10-15h

Sheet 13 of 20

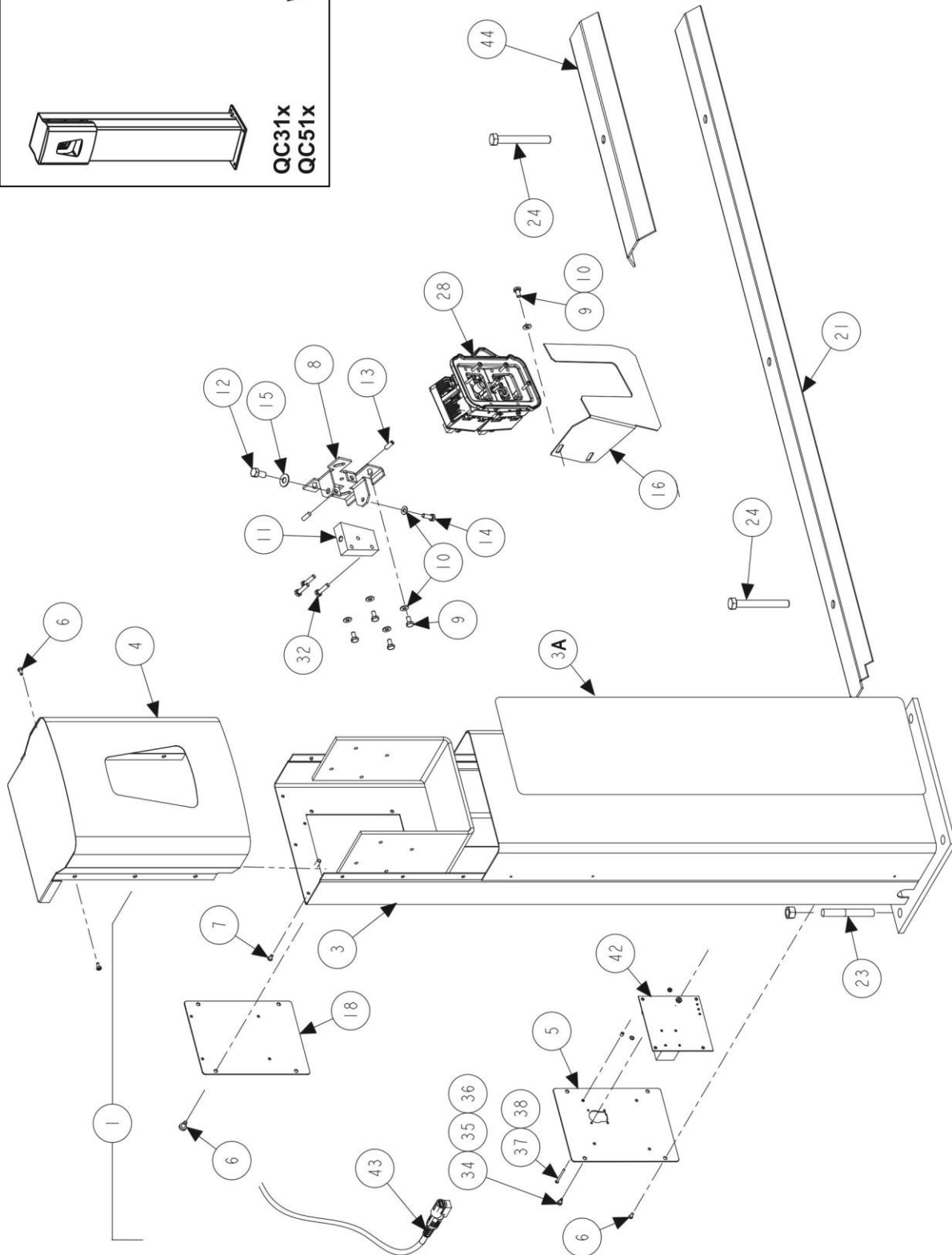
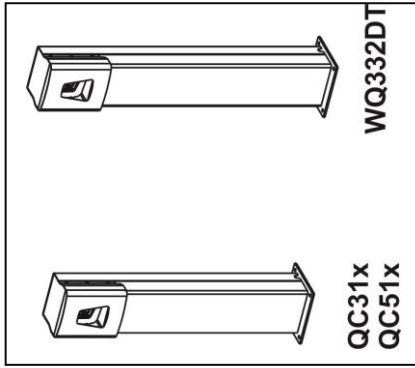
Index No.	Part Number	Description	FM Qty	PS Qty	PD Qty
1	14-1286-005*	BRACKET, ELITE, PS / PD / FM	1	1	2
2	75-29-2	HEX HEAD CAP SCREW 1/4-20 X .75 INCH, FULL-THREAD	4	4	8
3	77-71-2	WASHER, LOCK 1/4 INCH HELICAL SPRING	4	4	8
4	56-90-1-005*	CARRIER, ELITE WELD	1	1	2
5	74-138-2*	HEX HEAD CAP SCREW 3/8-16 X .88 INCH, FULL-THREAD	4	4	8
6	118-716-1	BEAM, ELITE, ASSEMBLY (See Sheet 13)	1	1	2
7	76-177-2	NUT, KEPS 5/16-18	3	3	6
8	14-1164-1	BRACKET, PM, HUB, MOUNT	1	1	2
9	75-384-2	ROUND HEAD MACHINE SCREW 4-40 X 1.50 INCH LONG	4	4	8
10	232-182-1	ELECT ASSEMBLY, 2 BURNDY HUB	1	1	2
11	75-397-2	SOCKET BUTTON HEAD CAP SCREW 8-32 X .38 INCH, FULL-THREAD	4	4	8
12	76-71-2	NUT, KEPS 8-32	4	4	8
13	38-957-3	CABLE ASSEMBLY, USB+BURNDY (Not Illustrated)	1	1	2
14	69-1499-005	COVER, CENTER, CM CARRIER, LEFT-HAND	1	1	2
15	69-1500-005	COVER, CENTER, CM CARRIER, RIGHT-HAND	1	1	2
16	75-481-2	SOCKET BUTTON HEAD CAP SCREW 1/4-20 X .50 INCH	4	4	8
17	12-163-2	CLAMP, P CLIP 3/8 INCH I.D. RUBBER (Not Illustrated)	1	1	2
18	24-51-2	NAMEPLATE, HUNTER MODEL & PART (Not Illustrated)	1	1	2
19	75-522-2	SCREW, SELF-TAPPING 10-32 X .38 INCH	4	4	8
20	77-297-2*	WASHER, FLAT 3/8 INCH	4	4	8
21	13-329-1	LEG ASSEMBLY, LOWER DSP600	2	-	1
22	13-216-PPP	LEG, UPPER DSP600 FMW	2	-	1
23	69-1103-PPP	COVER, LEG UPPER DSP600 FMW	2	-	1
24	69-1136-PPP	COVER, LEG LOWER DSP600 FMW	2	-	1
25	13-218-1-PPP	LEG ASSEMBLY, VERTICAL DSP600 PM	-	2	2
26	69-1135-PPP	COVER, VERTICAL LEG DSP600 PM	-	2	2
27	51-2017-PPP	PLATE, SPLICE DSP600PMW (Not Illustrated)	-	-	2
28	118-657-1-PPP	BEAM ASSEMBLY, END DSP600 PIT	2	2	4
29	118-658-1-PPP	BEAM WELDMENT, CENTER SUPPORT DSP600	1	1	2
30	69-1107-PPP	COVER, END PLATE DSP600 FMW	2	-	-
31	20-1813-1	KIT, DSP600 FMW MOUNTING HDWARE (Not Illustrated)	1	-	-
32	20-1811-1	KIT, DSP600 PIT MOUNT HARDWARE (Not Illustrated)	-	1	-
33	20-1818-1	KIT, DSP600PMW MOUNT HARDWARE (Not Illustrated)	-	-	1
34	74-327-2	SOCKET BUTTON HEAD CAP SCREW 3/8-16 X .75 INCH, FTHD	32	16	40
35	76-159-2	NUT, KEPS 3/8-16	32	16	40
36	75-311-2	TRUSS HEAD SHEET METAL SCREW 8 X 3/8 INCH	24	36	60
37	75-441-2	SCREW, SELF-TAPPING 8-32 X .50 INCH (Not Illustrated)	4	4	8
38	75-312-2	TRUSS HEAD MACHINE SCREW 10-32 X 1/2 INCH	16	-	6
39	76-85-2	NUT, KEPS 1/4-20	4	4	8
40	48-56-2	RIVET, BLIND 3/16 X 1/4 INCH	34	34	68
41	74-169-2	BOLT, ANCHOR 1/2 X 3 3/4 INCH	8	8	12
42	74-13-2	HEX HEAD CAP SCREW 1/2-13 X 2.50 INCH	8	-	4
43	76-16-2	NUT, JAM 1/2-13	8	-	4
44	113-191-2	BUSHING, HEYCO #2240	1	-	-
45	76-71-2	NUT, KEPS 8-32	4	4	8
46	12-182-2	CABLE CLAMP, NY 3/4 CAB, 3/8 INCH SCR (Not Illustrated)	1	1	2
47	77-14-2	WASHER, LOCK 8 INTERNAL-TOOTH	4	-	-
48	113-199-2	BUSHING, HEYCO #2420	1	1	2
49	94-11-2	TIE, CABLE (Not Illustrated)	-	1	-
50	43-142-2	PLUG, 2 INCH HOLE HEYCO 2783	-	2	2
51	75-202-2	FHMS 8-32 X .50 INCH, FULL-THREAD	-	4	8

* Items 1, 4, 5 and 20 are available pre-assembled as 14-1671-1, BRACKET ASSEMBLY - ELITE PS/PD/FM.

HUNTER
Engineering Company

11250 HUNTER DRIVE BRIDGETON, MO 63044

PPP-Paint Code Required
A/R-As Required
REF-Reference



DRIVE-THROUGH (QUICK CHECK)

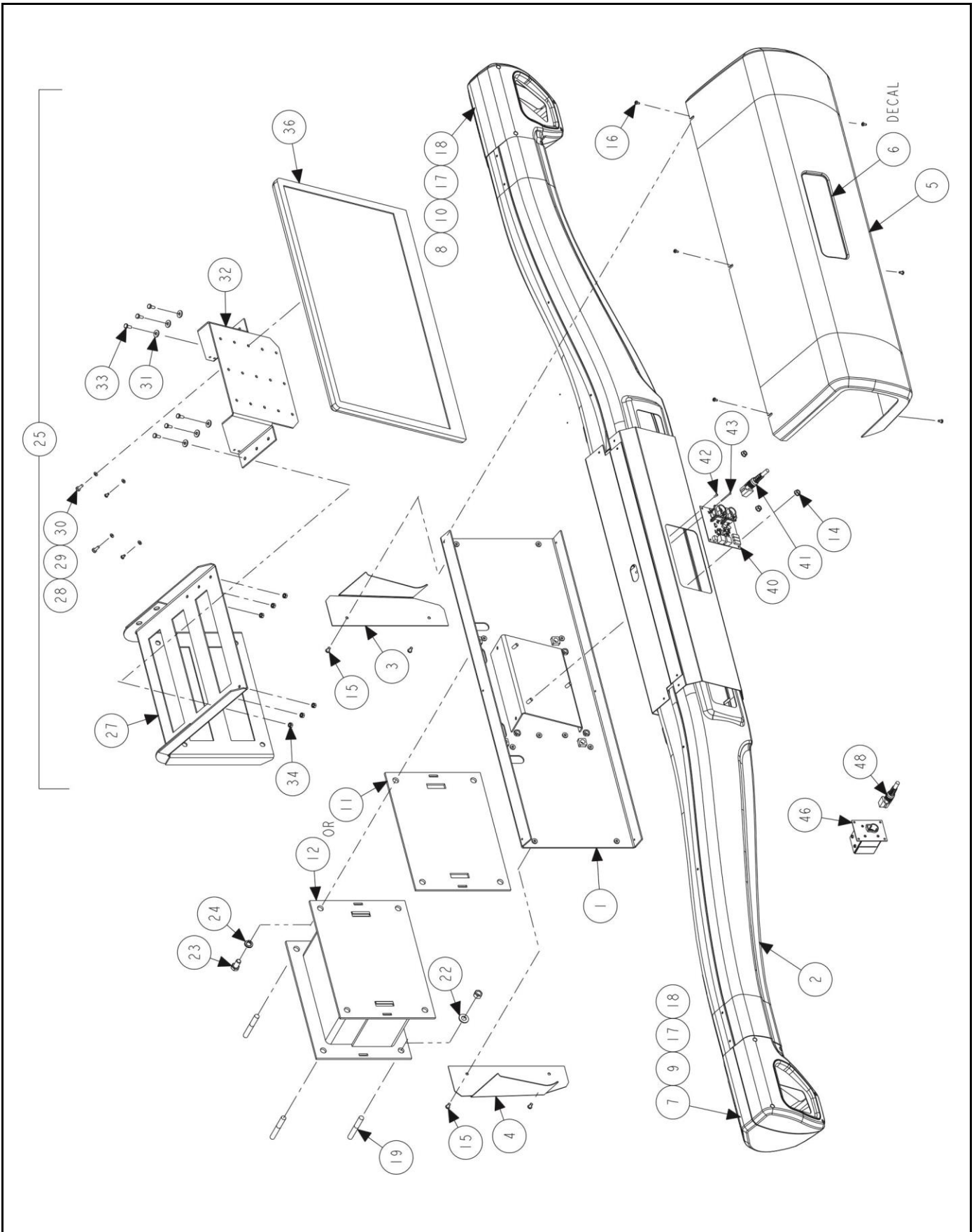
REFER TO NEXT SHEET FOR PARTS DESCRIPTION LISTING

PARTS DESCRIPTION LISTING

Form 4-162, 10-15h

Sheet 14 of 20

Index No.	Part Number	Description	Qty.
1	161-65-1	PEDESTAL ASSEMBLY, HE400DT QC LEFT-HAND (Consisting Of:)	1
OR	161-63-1	PEDESTAL ASSEMBLY, HE400DT (WQ) LEFT-HAND (Consisting Of:)	1
2	161-64-1	PEDESTAL ASSEMBLY, HE400DT QC RIGHT-HAND (Not Illustr.) (Consisting Of:)	1
OR	161-62-1	PEDESTAL ASSEMBLY, HE400DT (WQ) RIGHT-HAND (Not Illustr.) (Consisting Of:)	1
3	161-66-1-PPP	PEDESTAL WELDMENT, HE400DT QC (Short Tower)	1
OR	161-61-1-PPP	PEDESTAL WELDMENT, HS-DT (WQ) (Not Illustr.)	1
3A	128-1357-2	DECAL-HE421DT (For shorter QC pedestal)	1
OR	128-1171-2	DECAL-HS400DT (For taller pedestal - not shown)	1
4	69-1163-1-PPP	COVER ASSEMBLY, TOP DSP600DT	1
5	51-2309-PPP	PLATE, REAR DOOR DSP600DT	1
6	75-473-2	SCREW, THREAD ROLLING 1/4-20 X 1/2 INCH, TORX	14
7	75-397-2	SOCKET BUTTON HEAD CAP SCREW 8-32 X .38 INCH, FULL-THREAD	3
8	178-52-1-005	COUPLER, CAMERA ELITE WIDE	1
9	75-23-2	HEX HEAD CAP SCREW 1/4-20 X .50 INCH, FULL-THREAD	6
10	77-67-2	WASHER, FLAT 1/4 INCH	7
11	121-214-2	BLOCK, CAMERA MOUNT	1
12	74-59-2	HEX HEAD CAP SCREW 3/8-16 X .75 INCH , FULL-THREAD	1
13	75-241-2	SOCKET SET SCREW 1/4-20 X 3/4 INCH, OVAL POINT	2
14	75-29-2	HEX HEAD CAP SCREW 1/4-20 X .75 INCH, FULL-THREAD	1
15	77-65-2	WASHER, FLAT 3/8 INCH SPECIAL	1
16	179-57-005	SHIELD, DSP600DT LEFT-HAND	1
OR	179-58-005	SHIELD, DSP600DT RIGHT-HAND (Not Illustrated)	1
17	128-1357-2	DECAL, HE421DT (Not Illustrated)	1
18	51-2562-PPP	PLATE, REAR DOOR TOP DT COLUMN	1
21	69-1395	COVER, ELECTRIC CABLE, DSP600DT	2
22	20-1989-1	KIT, HARDWARE DSP600DT (Consisting Of:)	1
23	74-169-2	BOLT, ANCHOR 1/2 X 3 3/4 INCH	8
24	74-293-2	BOLT, ANCHOR 1/2 X 2 3/4 INCH, HEX HEAD	9
25	75-29-2	HEX HEAD CAP SCREW 1/4-20 X .75 INCH ,FTHD (Not Illustrated)	16
26	75-397-2	SOCKET BUTTON HEAD CAP SCREW 8-32 X .38 INCH FTHD (Not Illustrated)	4
27A	20-2745-1	KIT, QUICK CHECK INDICATOR BAR (Not Illustrated)	1
27B	72-478-1	BAR, POSITION, INDICATOR (Not Illustrated)	1
27C	74-293-2	BOLT, ANCHOR 1/2 X 2 3/4 INCH HEX HEAD (Not Illustrated)	2
27D	162-139-2	TAPE, YELLOW, 3 INCH X 36 YARD (Not Illustrated)	1
28	125-469-1	SENSOR, 4 CAMERA PENTACAM 3 LEFT (See Camera Sheet)	1
29	125-470-1	SENSOR, 4 CAMERA PENTACAM 3 RIGHT (See Camera Sheet) (Not Illustrated)	1
30A	38-954-2	CABLE, USB 2.0 A/B 2 METER (~6 1/2 Feet) (Not Illustrated)	2
30B	38-969-2	CABLE, USB 2.0 A/B 5M (~16 1/2 Feet) (Not Illustrated)	2
31A	37-526-1	WIRE ASSEMBLY DSP600L EMITTER POWER (~6 Feet) (Not Illustrated)	1
31B	37-547-1	WIRE ASSEMBLY DSP600 EMITTER POWER 5M (~16 1/2 Feet) (Not Illustrated)	1
32	75-239-2	SOCKET HEAD CAP SCREW 1/4-20 X 1.00 INCH, FULL-THREAD	6
33	75-24-2	ROUND HEAD MACHINE SCREW 6-32 X .38 INCH (Not Illustrated)	4
34	46-665-2	SPACER, #8 X 1.1875 INCH LONG	4
35	75-131-2	ROUND HEAD MACHINE SCREW 8-32 X 1.50 INCH	4
36	76-71-2	NUT, KEPS 8-32	4
37	75-384-2	ROUND HEAD MACHINE SCREW 4-40 X 1.50 INCH LONG	4
38	76-22-2	NUT, HEX 4-40	4
39	12-163-2	CLAMP, P CLIP 3/8 INCH I.D. RUBBER (Not Illustrated)	2
40	75-446-2	SCREW, SELF-TAPPING 8-32 X 3/8 INCH(Not Illustrated)	4
41	20-2214-1	KIT, PCA 7 PORT USB2 HUB (Consisting Of:)	1
42	45-1205-1	PCA, 7 PORT USB2 HUB	1
43	38-957-3	CABLE ASSEMBLY, USB+BURNDY	1
44	69-1403-005	COVER, DT THRESHOLD, EXTENSION	1

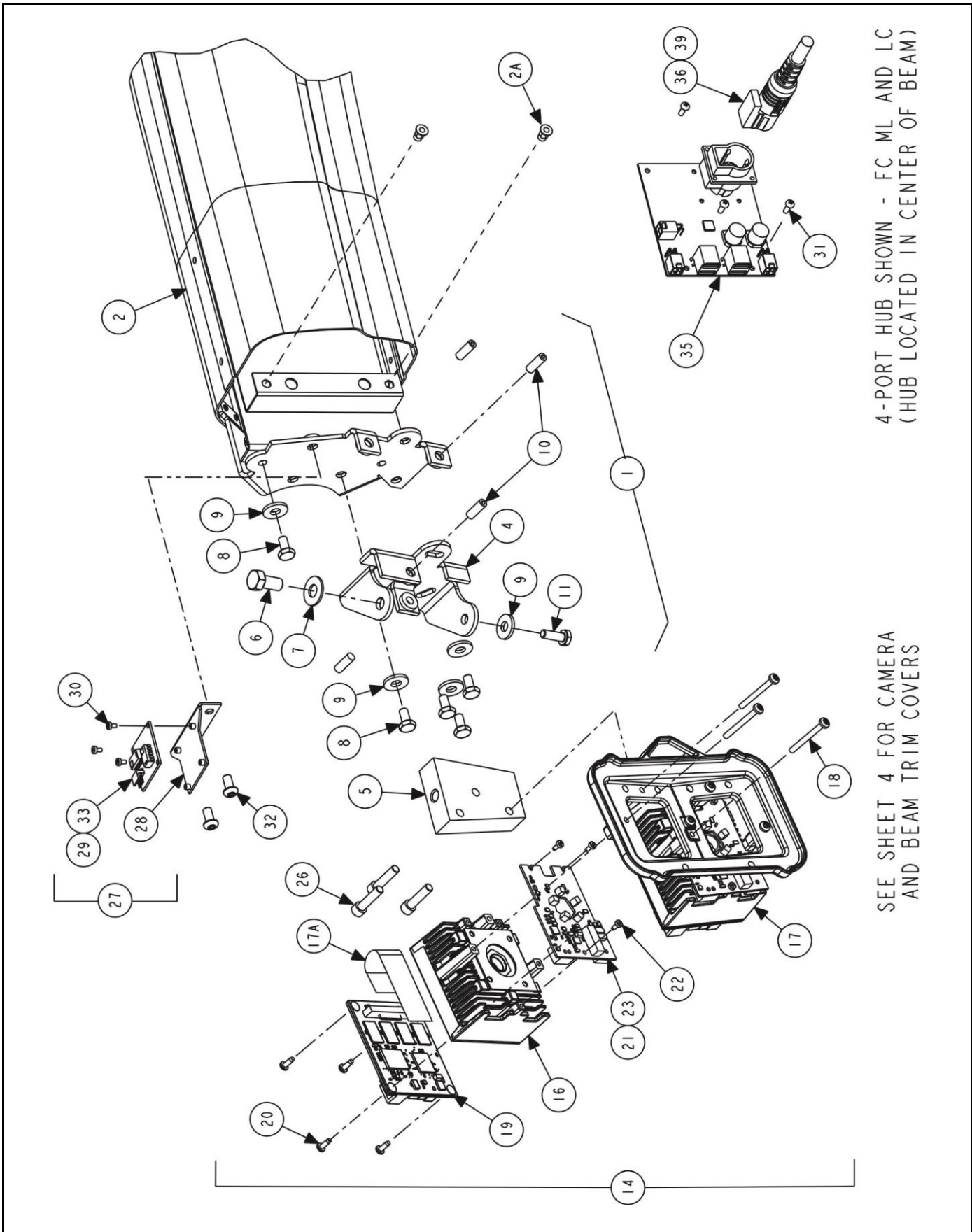


DRIVE UNDER (QUICKCHECK)

REFER TO NEXT SHEET FOR PARTS DESCRIPTION LISTING

PARTS DESCRIPTION LISTING

Index No.	Part Number	Description	Qty.
1	11-1539-1-005	SUPPORT, DU - WIDE-CARRIER	1
2	118-743-1	BEAM, ELITE - DU (See Sheet 15.)	1
3	69-1489-005	COVER, DU - WIDE REAR, RIGHT	1
4	69-1490-005	COVER, DU - WIDE REAR, LEFT	1
5	69-1491-3	COVER, ELITE - DU CENTER (Includes:)	1
6	128-1338-2	DECAL, ELITE HAWKEYE (Not Illustrated)	1
7	69-1343-1	COVER, ELITE LEFT-FRONT ASSEMBLY	1
8	69-1344-1	COVER, ELITE RIGHT-FRONT ASSEMBLY	1
9	69-1337-2	COVER, ELITE LEFT-HAND REAR	1
10	69-1339-2	COVER, ELITE RIGHT-HAND REAR	1
11	51-2803	PLATE, WM - DU MOUNT	1
12	46-716-1-005	SPACER, WALL MOUNT - DU	1
13	20-2858-1	KIT, ELITE-DU HARDWARE (Consisting Of:)	1
14	76-177-2	NUT, KEPS 5/16-18	3
15	75-481-2	SOCKET BUTTON HEAD CAP SCREW 1/4-20 X .50 INCH	6
16	75-522-2	SCREW-SELF-TAPPING 10-32 X .38 INCH	6
17	75-26-2	ROUND HEAD MACHINE SCREW 8-32 X .50 INCH	4
18	75-290-2	ROUND HEAD MACHINE SCREW 8-32 X 3/4 INCH	10
19	74-169-2	BOLT, ANCHOR 1/2 X 3 3/4 INCH	4
20	76-407-2	NUT, HOLLOW SET DROP-IN 1/2-13 (Alt, wall anchors) (Not Illustrated)	4
21	74-100-2	HEX HEAD CAP SCREW 1/2-13 X 2.00 FTGD (Alt, wall anchors) (Not Illus.)	4
22	77-23-2	WASHER-FLAT 1/2 INCH	8
23	74-140-2	HEX HEAD CAP SCREW 1/2-13 X 1.50 INCH (FULL-THREAD)	4
24	77-63-2	WASHER, LOCK 1/2 INCH HELICAL SPRING	4
25	20-2899-1	KIT, ELITE-DRIVE UNDER-MONITOR AND SUPPORT (Consisting Of:)	1
26	20-2857-1	KIT, ELITE - DU MONITOR MOUNT (Consisting Of:)	1
27	11-1537-1-005	SUPPORT, DU MONITOR	1
28	75-679-2	PAN HEAD MACHINE SCREW M4 X .7 X 16 MM	6
29	77-46-2	WASHER, FLAT 8 INCH	6
30	75-700-2	PAN HEAD MACHINE SCREW M6-1.0 X 16 MM LONG	6
31	77-67-2	WASHER, FLAT 1/4 INCH	6
32	14-1524-005	BRACKET, DU MONITOR	1
33	75-40-2	HEX HEAD CAP SCREW 1/4-20 X .63 INCH GRADE 5 (FULL-THREAD)	6
34	76-85-2	NUT, KEPS 1/4-20	6
35	20-2903-1	KIT, DU MONITOR / CONNECTOR / CABLE	1
36	227-103-2	DISPLAY, 32 INCH CLASS LCD	1
37	38-1234-2	CABLE, HDMI 75 FEET	1
38	21-943-2	CONNECTOR, HDMI MALE - DVI FEMALE	1
39	20-2818-1	KIT, PCA QUICK CHECK HUB WITH POWER (Only for DU) (Not Illustrated)	1
40	45-1473-1	PCA, DRIVE UNDER HUB (Only for DU) (Not Illustrated)	1
41	38-957-3	CABLE ASSEMBLY, USB + BURNDY	1
42	75-24-2	ROUND HEAD MACHINE SCREW 6-32 X .38 INCH	4
43	75-384-2	ROUND HEAD MACHINE SCREW 4-40 X 1.50 INCH LONG	8
44	12-163-2	CLAMP, P CLIP 3/8 INCH ID RUBBER (Not Illustrated)	2
45	20-1871-1	KIT, RETROFIT DSP600 USB HUB (Supplied with DU) (Not Illustrated)	1
46	232-182-1	ELECTRIC ASSEMBLY, 2 BURNDY HUB (Contains)	1
47	45-1081-1	PCA, DUAL BURNDY HUB (Not Illustrated)	1
48	38-957-3	CABLE ASSEMBLY, USB + BURNDY	1
49	12-182-2	CABLE CLAMP, NY 3/4 CAB, 3/8 SCR (Not Illustrated)	1
50	75-397-2	SOCKET BUTTON HEAD CAP SCREW 8-32 X .38 INCH FTGD (Not Illustrated)	4
51	76-71-2	NUT, KEPS 8-32(Not Illustrated)	4
52	20-2837-1	KIT, USB TO ETHERNET (Not Illustrated)	1
53	38-1213-2	CABLE, RJ45 PANEL MOUNT (Not Illustrated)	1
54	38-1062-2	CABLE, SENSOR 75 FEET (Not Illustrated)	1
55	38-1214-1	CABLE, 5 VDC POWER (Not Illustrated)	1
56	28-89-2	FASTENER, VELCRO 2 INCH LOOP SIDE(Not Illustrated)	6
57	28-90-2	FASTENER, VELCRO 2 INCH HOOK SIDE (Not Illustrated)	6
58	94-11-2	TIE-CABLE (Not Illustrated)	6
59	Field Obtained	BLACK BOX USB EXTENDER (MODEL IC400A) (Not Illustrated)	1
60	20-2745-1	KIT, QUICK CHECK INDICATOR BAR (Not Illus.) (See Sheet 14 for kit.)	1



HS421 AND HE421 CAMERAS

REFER TO NEXT SHEET FOR PARTS DESCRIPTION LISTING

PARTS DESCRIPTION LISTING

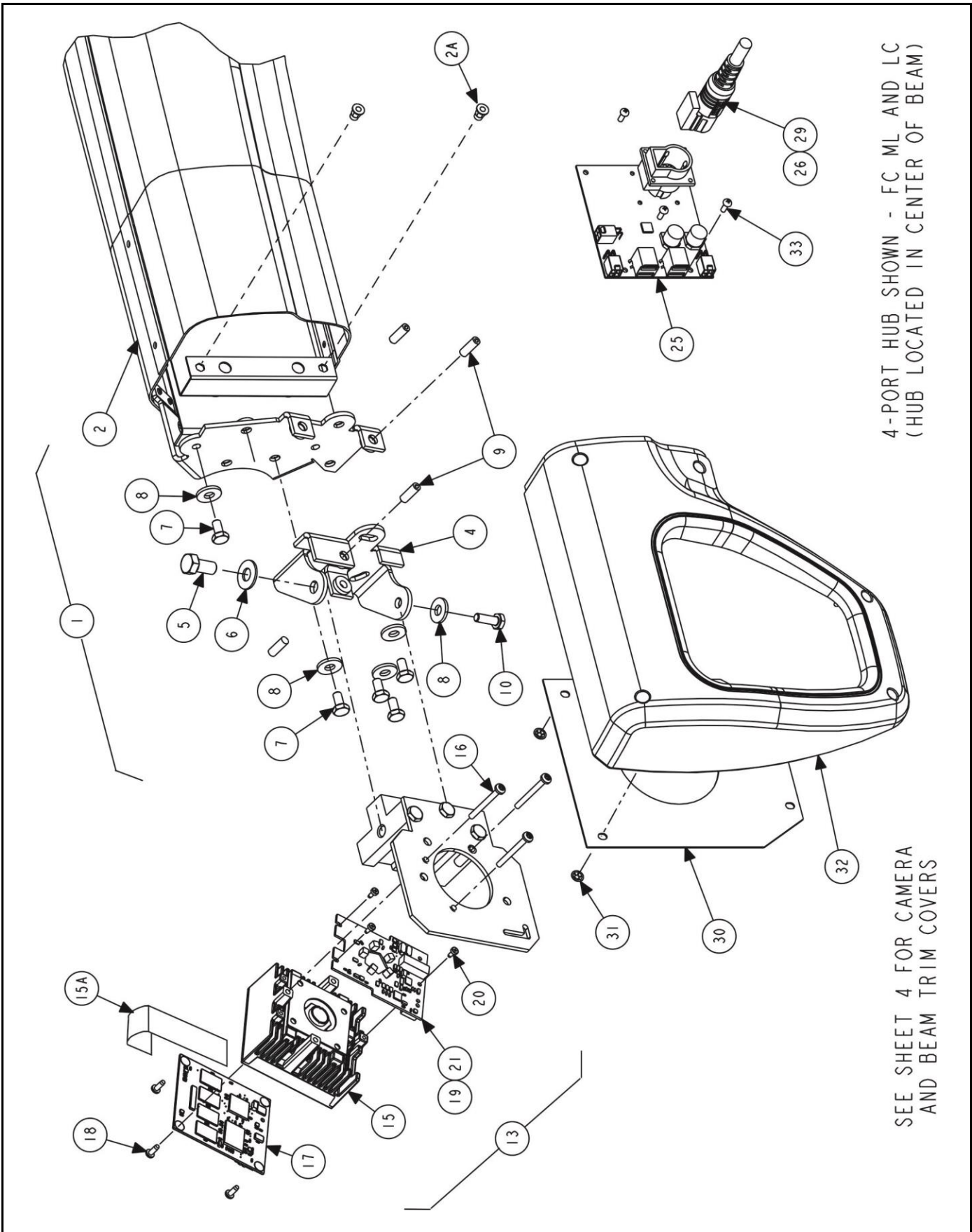
Index No.	Part Number	Description	Qty.
1	118-716-1	BEAM, ELITE, ASSEMBLY (Consisting Of:)	1
OR	118-720-1	BEAM, ELITE, NARROW, ASSEMBLY (QC / WQ Cabinet-Mount) (Not Illus.) (Cons. Of:)	1
OR	118-743-1	BEAM, ELITE-DU (QC / WQ Drive Under) (Not Illus.) (Cons. Of:)	1
2	118-715-1-005	BEAM, ELITE, WELDMENT	1
OR	118-719-1-005	ELITE, NARROW BEAM, WELDMENT (QC / WQ Cabinet-Mount) (Not Illus.)	1
OR	118-742-1-005	BEAM, DU-WIDE-WELDMENT	1
2A	76-443-2	NUT-HEX INSERT 8-32	4
3	14-1246-1-005	BRACKET ASSEMBLY, CAMERA ADJUST RIGHT-HAND (Not Illustrated)	1
4	14-1245-1-005	BRACKET ASSEMBLY, CAMERA ADJUST LEFT-HAND	1
5	121-214-2	BLOCK, CAMERA MOUNT	2
6	74-59-2	HEX HEAD CAP SCREW 3/8-16 X .75 INCH, FULL-THREAD	2
7	77-65-2	WASHER, FLAT 3/8 INCH SPECIAL	2
8	75-23-2	HEX HEAD CAP SCREW 1/4-20 X .50 INCH, FULL-THREAD	10
9	77-67-2	WASHER, FLAT 1/4 INCH	10
10	75-241-2	SOCKET SET SCREW 1/4-20 X 3/4 INCH, OVAL POINT	8
11	75-29-2	HEX HEAD CAP SCREW 1/4-20 X .75 INCH, FULL-THREAD	2
12	128-1340-2	DECAL, ELITE BEAM PIN STRIPE RIGHT-HAND (Not Illustrated)	1
OR	128-1376	DECAL, ELITE BEAM PIN STRIPE RIGHT-HAND (For Narrow Beam) (Not Illustrated)	1
13	128-1339-2	DECAL, ELITE BEAM PIN STRIPE LEFT-HAND (Not Illustrated)	1
OR	128-1375	DECAL, ELITE BEAM PIN STRIPE LEFT-HAND (For Narrow Beam) (Not Illustrated)	1
14	125-469-1	SENSOR, 4 CAMERA PENTACAM 3 LEFT (Includes:)	1
15	125-470-1	SENSOR, 4 CAMERA PENTACAM 3 RIGHT (Includes:) (Not Illustrated)	1
16	109-170-1-R	TRANSDUCER, PENTACAM3 FRONT REPLACE (Camera)	1
17	109-171-1-R	TRANSDUCER, PENTACAM3 REAR REPLACE (Camera)	1
17A	45-1423-3	PCA, SAMTEC 34 PIN FLEX CABLE (Ribbon from imager to control board)	1
18	75-698-2	SCREW, SELF-TAPPING 8-32 TRILOB	6
19	45-1463-1	PCB-PENTACAM3 CONTROL	2
20	75-500-2	SCREW, SELF-TAPPING 6-32 X .38 INCH	8
21	45-1471-1	PCA, HP PENTACAM EMITTER	2
22	75-324-2	SCREW, SELF-TAPPING 4-40 X 1/4 INCH	6
23	37-606-1	WIRE ASSEMBLY, CAMERA EMITTER CONTR	2
24	38-954-2	CABLE, USB 2.0 A/B 2 METER (Only for FC, ML, LC, CM, WM, DU) (Not Illustrated)	4
OR	38-987-2	CABLE, USB 2.0 A/B 4 METER (Only for PS, PD, FM, DU) (Not Illustrated)	4
OR	38-969-2	CABLE, USB 2.0 A/B 5 METER (Only for DT) (Not Illustrated)	4
25	37-526-1	WIRE ASM, DSP600L EMITTER POWER (Only for FC, ML, LC, CM, WM, DU) (Not Illus.)	2
OR	37-524-1	WIRE ASSEMBLY, DSP600 EMITTER POWER (Only for PS PD FM) (Not Illustr.)	2
OR	37-547-1	WIRE ASSEMBLY, DSP600 EMITTER POWER 5 METER (Only for DT) (Not Illustr.)	2
OR	37-646-1	WIRE ASSEMBLY, EMITTER POWER 128 INCH (Only for DU) (Not Illustr.)	2
26	75-239-2	SOCKET HEAD CAP SCREW 1/4-20 X 1.00 INCH, FULL-THREAD	6
27	109-159-1	TRANSDUCER ASSEMBLY, CAMBER CELL HE401 (Only for ML LC CM)	1
28	14-1259-1	BRACKET ASSEMBLY, CAMBER CELL HE401	1
29	45-1275-1-1	PCA, DSP700 CAMAMBER / CASTER	1
30	75-335-2	PAN HEAD MACHINE SCREW 4-40 X 3/16 INCH	3
31	75-24-2	ROUND HEAD MACHINE SCREW 6-32 X .38 INCH	4
32	75-481-2	SOCKET BUTTON HEAD CAP SCREW 1/4-20 X .50 INCH	2
33	38-1126-1	CABLE ASSEMBLY, BEAM CAMBER	1
34	20-3391-1	KIT, PCA 4-PORT 3 POWER USB HUB (For FC ML LC WM PS PD and FM)	1
35	45-1625-1	PCA, HUB 4 PORT 3 POWER (For FC ML LC WM PS PD and FM)	1
36	38-957-3	CABLE ASSEMBLY, USB+BURNDY	1
37	20-2214-1 *	KIT, PCA 7 PORT USB2 HUB (Only for DT) (Not Illustrated)	1
38	45-1205-1	PCA, 7 PORT USB2 HUB (Only for DT) (Not Illustrated)	1
39	38-957-3	CABLE ASSEMBLY, USB+BURNDY	1
40	20-2818-1 *	KIT, PCA QUICK CHECK HUB W/ PWR (Only for DU) (Consisting Of:) (Not Illustrated)	1
41	45-1473-1	PCA, DRIVE UNDER HUB (Only for DU) (Not Illustrated)	1
42	38-957-3	CABLE ASSEMBLY, USB+BURNDY	1
43	20-1871-1	KIT, RETROFIT DSP600 USB HUB (Supplied with DU) (Includes:) (Not Illustrated)	1
44	232-182-1	ELECTRIC ASSEMBLY. 2 BURNDY HUB (Includes:) (Not Illustrated)	1
45	45-1081-1	PCA, DUAL BURNDY HUB	1

* NOTE: SEE APPROPRIATE WM, PS/PD/FM, DT OR DU SHEET FOR HUB ADAPTOR PLATE AND HUB LOCATION.

HUNTER
Engineering Company

11250 HUNTER DRIVE BRIDGETON, MO 63044

PPP-Paint Code Required
A/R-As Required
REF-Reference

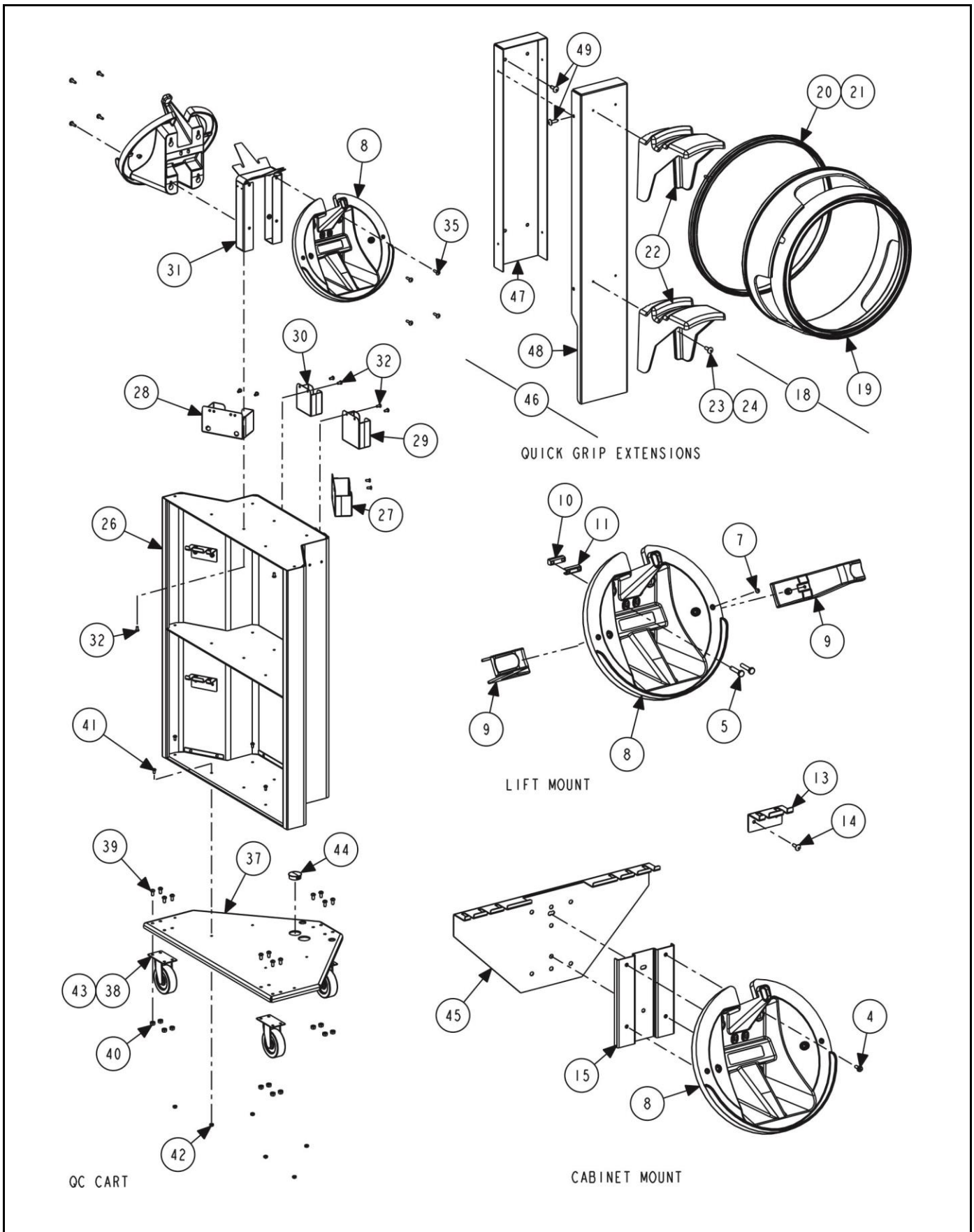


HS221 CAMERAS

REFER TO NEXT SHEET FOR PARTS DESCRIPTION LISTING

PARTS DESCRIPTION LISTING

Index No.	Part Number	Description	Qty.
1	118-716-1	BEAM, ELITE, ASSEMBLY (Consisting Of:)	1
OR	118-720-1	BEAM, ELITE, NARROW, ASSEMBLY (Not Illus.) (Cons. Of:)	1
2	118-715-1-005	BEAM, ELITE, WELDMENT	1
OR	118-719-1-005	ELITE, NARROW BEAM, WELDMENT (Not Illus.)	1
2A	76-443-2	NUT-HEX INSERT 8-32	4
3	14-1246-1-005	BRACKET ASSEMBLY, CAMERA ADJUST RIGHT-HAND (Not Illustrated)	1
4	14-1245-1-005	BRACKET ASSEMBLY, CAMERA ADJUST LEFT-HAND	1
5	74-59-2	HEX HEAD CAP SCREW 3/8-16 X .75 INCH, FULL-THREAD	2
6	77-65-2	WASHER, FLAT 3/8 INCH SPECIAL	2
7	75-23-2	HEX HEAD CAP SCREW 1/4-20 X .50 INCH, FULL-THREAD	10
8	77-67-2	WASHER, FLAT 1/4 INCH	10
9	75-241-2	SOCKET SET SCREW 1/4-20 X 3/4 INCH, OVAL POINT	8
10	75-29-2	HEX HEAD CAP SCREW 1/4-20 X .75 INCH, FULL-THREAD	2
11	128-1340-2	DECAL, ELITE BEAM PIN STRIPE RIGHT-HAND (Not Illustrated)	1
OR	128-1376	DECAL, ELITE BEAM PIN STRIPE RIGHT-HAND (For Narrow Beam) (Not Illustrated)	1
12	128-1339-2	DECAL, ELITE BEAM PIN STRIPE LEFT-HAND (Not Illustrated)	1
OR	128-1375	DECAL, ELITE BEAM PIN STRIPE LEFT-HAND (For Narrow Beam) (Not Illustrated)	1
13	125-473-1	SENSOR, HS22X LEFT GEN 3 (Includes:)	1
14	125-474-1	SENSOR, HS22X RIGHT GEN 3 (Includes:) (Not Illustrated)	1
15	109-170-1-R	TRANSDUCER. PENTACAM3 FRONT REPLACE (Camera)	1
15A	45-1423-3	PCA, SAMTEC 34 PIN FLEX CABLE (Ribbon from imager to control board)	1
16	75-698-2	SCREW-SELF-TAPPING 8-32 TRILOB	3
17	45-1463-1	PCB-PENTACAM3 CONTROL	1
18	75-500-2	SCREW, SELF-TAPPING 6-32 X .38 INCH	4
19	45-1471-1	PCA, HP PENTICAM EMITTER	1
20	75-324-2	SCREW, SELF-TAPPING 4-40 X 1/4 INCH	3
21	37-606-1	WIRE ASSEMBLY, CAMERA EMITTER CONTROL	1
22	38-954-2	CABLE, USB 2.0 A/B 2 METER (Only for FC, ML, LZ, CM, WM) (Not Illustrated)	2
OR	38-987-2	CABLE, USB 2.0 A/B 4 METER (Only for FM) (Not Illustrated)	2
OR	38-969-2	CABLE, USB 2.0 A/B 5 METER (Only for DT) (Not Illustrated)	2
23	37-526-1	WIRE ASM, DSP600L EMITTER POWER (Only for FC, ML, LZ, CM, WM) (Not Illus.)	2
OR	37-524-1	WIRE ASSEMBLY, DSP600 EMITTER POWER (Only for FM) (Not Illustr.)	2
OR	37-547-1	WIRE ASSEMBLY, DSP600 EMITTER POWER 5 METER (Only for DT) (Not Illustr.)	2
24	20-3391-1	KIT, PCA 4-PORT 3 POWER USB HUB (For FC ML LZ WM and FM)	1
25	45-1625-1	PCA, HUB 4 PORT 3 POWER (For FC ML LZ WM and FM)	1
26	38-957-3	CABLE ASSEMBLY, USB+BURNDY	1
27	20-2214-1 *	KIT, PCA 7 PORT USB2 HUB (Only for DT) (Not Illustrated)	1
28	45-1205-1	PCA, 7 PORT USB2 HUB (Only for DT) (Not Illustrated)	1
29	38-957-3	CABLE ASSEMBLY, USB+BURNDY	1
30	51-2584-005	PLATE-ELITE-2CAM-BAFFLE	2
31	76-555-2	NUT-SELF THREAD 1/8 STUD (Not Illustrated)	8
32	69-1343-1	COVER, ELITE, LF, ASSEMBLY	Ref.
33	75-24-2	ROUND HEAD MACHINE SCREW 6-32 X .38 INCH	4



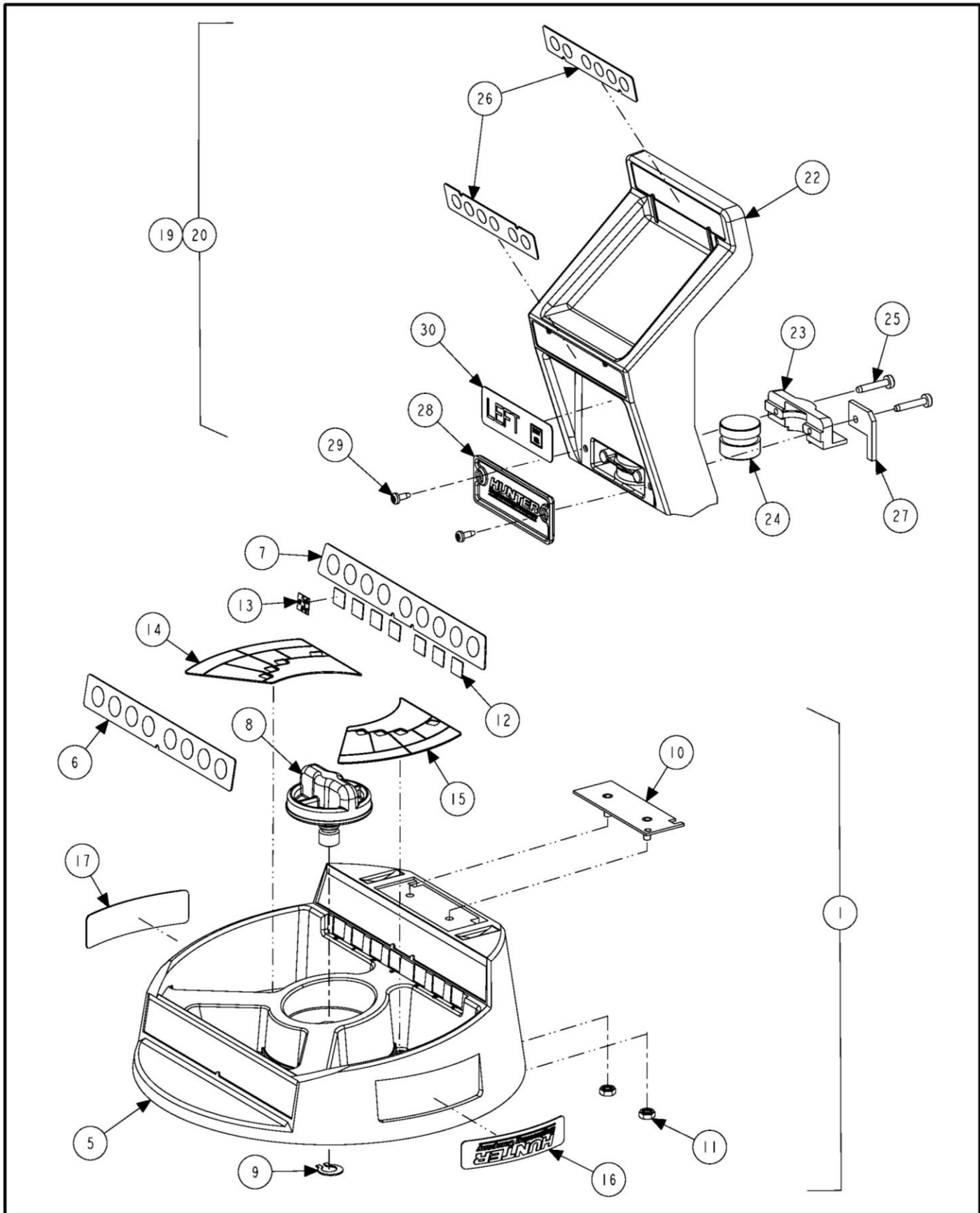
HE421 ADAPTOR HANGERS, QC CART AND SPACERS

REFER TO NEXT SHEET FOR PARTS DESCRIPTION LISTING

PARTS DESCRIPTION LISTING

Index No.	Part Number	Description	Qty.
1	20-2528-1	KIT, CLAMP-ON ADAPTOR HANGERS (Consisting Of:)	1
2	20-2865-1	KIT, TD TARGET HANGER MOLDED (Consisting Of:)	1
3	75-176-2	ROUND HEAD MACHINE SCREW 1/4-20 X 1/2 INCH	8
4	75-352-2	TRUSS HEAD MACHINE SCREW 10-32 X .75 INCH (secure hangers to aligner)	16
5	75-728-2	HEX HEAD CAP SCREW-1/4-20X1.25 INCH GRADE 5	8
6	76-61-2	NUT, KEPS 10-32	16
7	75-740-2	SCREW, SELF-TAPPING PAN HEAD SHEET MEATAL SCREW 8-18 HI-LO	16
8	11-1548-1	SUPPORT ASSEMBLY, QUICK GRIP STORAGE	4
9	11-1511-2	SUPPORT, HOOK QUICK GRIP STORAGE (coa hangers / coa lift mnt)	8
10	76-506-2	NUT - WEDGE ANCHOR 1/4-20	4
11	77-397-2	WASHER, WEDGE ANCHOR	4
12	77-67-2	WASHER, FLAT 1/4 INCH (Only in 20-2528-1)	8
13	216-117-005	HOOK, ACCESSORY CART STORAGE	8
14	75-828-2	TRUSS HEAD SHEET METAL SCREW #8 X .63 PR BZ DRILL PNT	16
15	14-1552-1-005	BRACKET ASSY, ADAPTER STORAGE (Retro Fit Only) (Only in 20-2528-1)	4
16	75-657-2	SCREW, THREAD ROLLING 10-24 X 1/2 INCH HWH (Only in 20-2528-1)	16
17	20-2866-1	KIT, QUICK GRIP EXTENSIONS (Consisting Of:)	1
18	46-652-1	SPACER, COA EXTENSION RING (Consisting Of:)	4
19	46-640-2	SPACER, 3-D ADAPTER	1
20	179-75-2	SHIELD, PROTECTIVE RING SPACER	1
21	179-75-2	SHIELD, PROTECTIVE RING SPACER	4
22	11-1510-2	SUPPORT, EXT RING STORAGE	4
23	75-828-2	TRUSS HEAD SHEET METAL SCREW-#8 X .63 INCH DRILL POINT	8
24	77-46-2	WASHER, FLAT 8	8
25	20-3216-1	KIT, COA CART STORAGE ACCESSORY (QC CART) (Consisting Of:)	2
26	191-43-1-005	STAND, ELITE-COA ACCESSORY	2
27	11-1384-005	SUPPORT, CODELINK STORAGE	1
28	11-1492-005	SUPPORT, BATTERY TESTER STORAGE	1
29	11-1541-005	SUPPORT, COA ACCESSORY IR-RMT	1
30	11-1542-005	SUPPORT, COA ACCESSORY TDG-TOOL	1
31	11-1663-1-005	SUPPORT, COA-PLASTIC HANGER MOUNT	2
32	75-404-2	SOCKET BUTTON HEAD CAP SCREW 10-32 X .38 INCH (FULL-THREAD)	12
33	76-61-2	NUT, KEPS 10-32	16
34	77-27-2	WASHER, FLAT 10	8
35	75-352-2	TRUSS HEAD MACHINE SCREW 10-32 X .75 INCH	16
36	20-3219-1	KIT, BASE & CASTERS- COA CART (Consisting Of:)	1
37	72-632-005	BASE, COA ACCESSORY CART ROLL	2
38	158-85-2	WHEEL, 3 INCH SWIVEL	4
39	75-481-2	SOCKET BUTTON HEAD CAP SCREW 1/4-20 X .50 INCH	24
40	76-85-2	NUT, KEPS 1/4-20	24
41	75-404-2	SOCKET BUTTON HEAD CAP SCREW 10-32 X .38 INCH (FULL-THREAD)	12
42	76-61-2	NUT, KEPS 10-32	12
43	158-115-2	CASTER, 3INCH SWIVEL-LOCK	2
44	43-171-2	PLUG, SMT HOLE 1-1/4 INCH DIAMETER	4
45	216-97-005	HOOK, BRACKET	4
46	20-2972-1	KIT, RING SUPPORT BRACKETS (Consisting Of:)	1
47	14-1584-005	BRACKET, RING SUPPORT BASE	2
48	14-1585-005	BRACKET, RING SUPPORT TOP	2
49	75-828-2	TRUSS HEAD SHEET METAL SCREW #8 X .63 INCH (DRILL POINT)	24





HE421 TARGETS

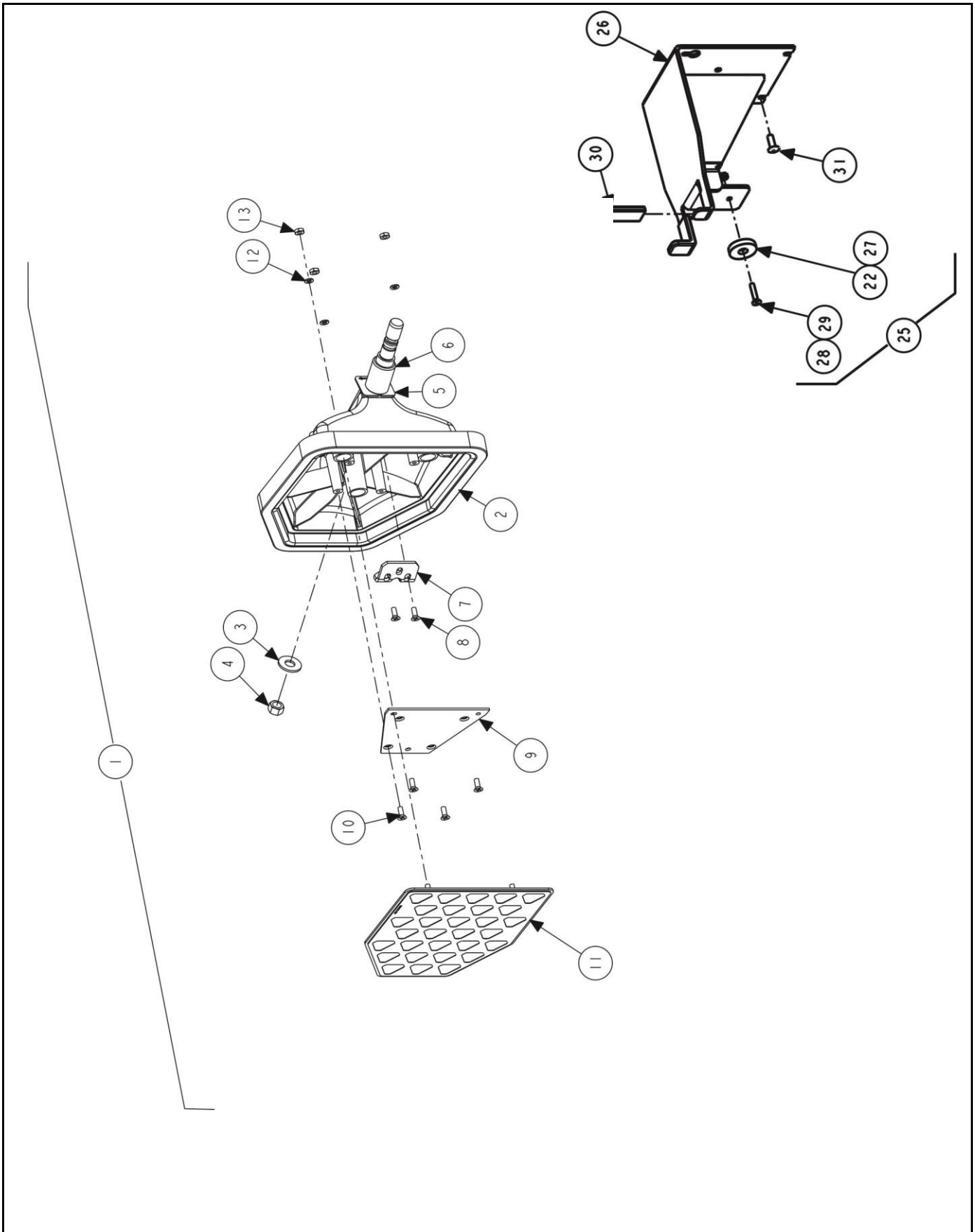
REFER TO NEXT SHEET FOR PARTS DESCRIPTION LISTING

PARTS DESCRIPTION LISTING

Index No.	Part Number	Description	Qty.
1	214-138-1	TARGET ASSEMBLY , 3D DOT LEFT-FRONT	1
2	214-139-1	TARGET ASSEMBLY , 3D DOT RIGHT-FRONT (Not Illustrated)	1
3	214-140-1	TARGET ASSEMBLY , 3D DOT LEFT-REAR (Not Illustrated)	1
4	214-141-1	TARGET ASSEMBLY , 3D DOT RIGHT-REAR (Not Illustrated)	1
5	105-584-2	HOUSING, DOT TARGET	1
6	128-1395-3 *	DECAL, 3D TARGET	1
7	128-1395-3 *	DECAL, 3D TARGET	1
8	34-197-3	KNOB, DOT TARGET	1
9	112-15-2	SNAP RING, #5133-50 OR EQUAL	1
10	51-2506-1-005	PLATE , MAGNET MAX STEER LEFT	1
OR	51-2507-1-005	PLATE , MAGNET MAX STEER RIGHT (Not Illustrated)	1
11	76-71-2	NUT, KEPS 8-32	2
12	128-1395-3 *	DECAL, 3D TARGET	1
13	128-1250-2	DECAL, TARGET POSITION LFT FRONT	1
OR	128-1251-2	DECAL, TARGET POSITION RT FRONT (Not Illustrated)	1
OR	128-1252-2	DECAL, TARGET POSITION LFT REAR (Not Illustrated)	1
OR	128-1253-2	DECAL, TARGET POSITION RT REAR (Not Illustrated)	1
14	128-1245-2	DECAL, TARGET POSITION LEFT	1
15	128-1246-2	DECAL, TARGET POSITIN RIGHT	1
16	128-1299-2	DECAL , HUNTER LOGO	1
17	128-1352-2	DECAL , TARGET POSITION LEFT FRONT	1
OR	128-1353-2	DECAL , TARGET POSITION RIGHT FRONT (Not Illustrated)	1
OR	128-1354-2	DECAL , TARGET POSITION LEFT REAR (Not Illustrated)	1
OR	128-1355-2	DECAL , TARGET POSITION RIGHT REAR (Not Illustrated)	1
18	128-1306-2	DECAL, BAY I.D. MARKS 3D TARGET(Not Illustrated)	1
19	20-2511-1	KIT , WIDE ANGLE 3D TARGET	1
20	214-142-1	TARGET ASSEMBLY , MAX STEER 3D LFT	1
21	214-143-1	TARGET ASSEMBLY , MAX STEER RIGHT (Not Illustrated)	1
22	105-583-2	HOUSING, MAX STEER	1
23	217-69-2	COLLAR, MAGNET	1
24	60-34-2	MAGNET , 2 POLE 50 POUND	1
25	75-740-2	SCREW, SELF-TAPPING PAN HEAD SHEET METAL SCREW 8-18 HI-LO	2
26	128-1266-2	DECAL , 6 DOT TARGET	2
27	218-206	TAB, MAX STEER TARGET INDEX	1
28	218-207-2	TAB , MAX STEER NAMEPLATE	1
29	75-495-2	SCREW, SELF-TAPPING 6 X .38 INCH	2
30	128-1335-2	DECAL, MAX STEER ID LEFT	1
OR	128-1336-2	DECAL, MAX STEER ID RIGHT (Not Illustrated)	1
31	128-1306-2	DECAL, BAY I.D. MARKS 3D TARGET (Not Illustrated)	1

* One 128-1395-3 contains all three 3D target decals (items 6, 7 and 12). Targets are grouped together to have more uniform reflective characteristics. Replacement of all three targets, instead of only one, is recommended.





HS421 AND HS221 HIGH DEFINITION TARGETS

REFER TO NEXT SHEET FOR PARTS DESCRIPTION LISTING

PARTS DESCRIPTION LISTING

Index No.	Part Number	Description	Front Targets	Rear Targets
1	214-126-1	TARGET ASSEMBLY, RIGHT FRONT (Consisting Of:)	1	
OR	214-132-1	TARGET ASSEMBLY, RIGHT REAR (Consisting Of:) (Not Illus.)		1
OR	214-128-1	TARGET ASSEMBLY, LEFT FRONT (Consisting Of:) (Not Illus.)	1	
OR	214-131-1	TARGET ASSEMBLY, LEFT REAR (Consisting Of:) (Not Illus.)		1
2	214-126-1-R*	214-126-1 WITHOUT REFLECTOR PLATE (Incl:)	1	
OR	214-132-1-R*	214-132-1 WITHOUT REFLECTOR PLATE (Incl:) (Not Illus.)		1
OR	214-128-1-R*	214-128-1 WITHOUT REFLECTOR PLATE (Incl:) (Not Illus.)	1	
OR	214-131-1-R*	214-131-1 WITHOUT REFLECTOR PLATE (Incl:) (Not Illus.)		1
3	77-26-2	WASHER, FLAT 3/8 INCH	1	
OR	77-347-2	WASHER, FLAT 3/8 INCH		1
4	76-34-2	NUT, JAM 3/8-24	1	1
5	51-2301	PLATE, UP INDICATOR	1	
OR	51-2302	PLATE, UP INDICATOR		1
6	46-591-2	SPACER-SHAFT	1	1
7	41-165	RETAINER-SHAFT	1	
OR	41-175	RETAINER-SHAFT		1
8	75-573-2	FLAT HEAD SHEET METAL SCREW 10-16 X .5 INCH	2	3
9	51-2215	PLATE, TARGET BACKUP	1	
OR	51-2297	PLATE, TARGET BACKUP		1
10	75-573-2	FLAT HEAD SHEET METAL SCREW 10-16 X .5 INCH	4	4
11	214-144-1	TARGET ASSEMBLY, FRONT	1	
OR	214-145-1	TARGET ASSEMBLY, REAR		1
12	77-276-2	WASHER, SPRING CURVED #10	3	3
13	76-263-2	NUT, LOCK 10-32 NYLON INSERT	3	3
14	128-1142-2	DECAL, TURNPLATE SCALE POSITION	1	1

*Shaft is now included with all replacement target housings. Each item 2 is an assembly that includes shaft, housing and items 3 – 8. Refer to SV19-047 or A-19-09.

HS421 AND HS221 ADAPTOR SUPPORTS

Index No.	Part Number	Description	Qty.
21	20-3086-1	KIT, HAWKEYE SCA ADAPTOR SUPPORT	1
22	62-50-2	FOOT-1/4 INCH RUBBER-1.25 DIA (to double bumper thickness if desired)	4
23	75-413-2	SCREW-SELF-TAPPING 10-32X.50 INCH (alternative securing hrdw.)	16
24	76-61-2	NUT, KEPS 10-32 (alternative securing hrdw.)	16
25	11-1589-1	SUPPORT ASSEMBLY, SENSOR STORAGE	4
26	11-1588-1	SUPPORT ASSEMBLY, SENSOR HANGER MOD CAB	1
27	62-50-2	FOOT-1/4 INCH RUBBER-1.25 INCH DIAMETER	1
28	75-93-2	FLAT HEAD SOCKET CAP SCREW 10-32X1.00 INCH	1
29	76-61-2	NUT-KEPS 10-32	1
30	106-168-2	SLEEVE, RECTANGLE-10 GA	2
31	75-312-2	TRUSS HEAD MACHINE SCREW 10-32 X 1/2 INCH (typical securing hrdw.)	16
32	75-728-2	HHCS-1/4-20X1.25_GR5 (for support installation onto a lift rack)	8
33	76-506-2	NUT, WEDGE ANCHOR 1/4-20 (for support installation onto a lift rack)	4
34	77-397-2	WASHER, WEDGE ANCHOR (for support installation onto a lift rack)	4

